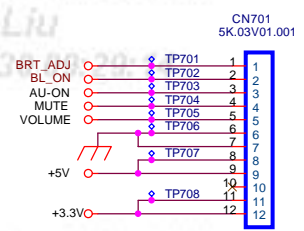
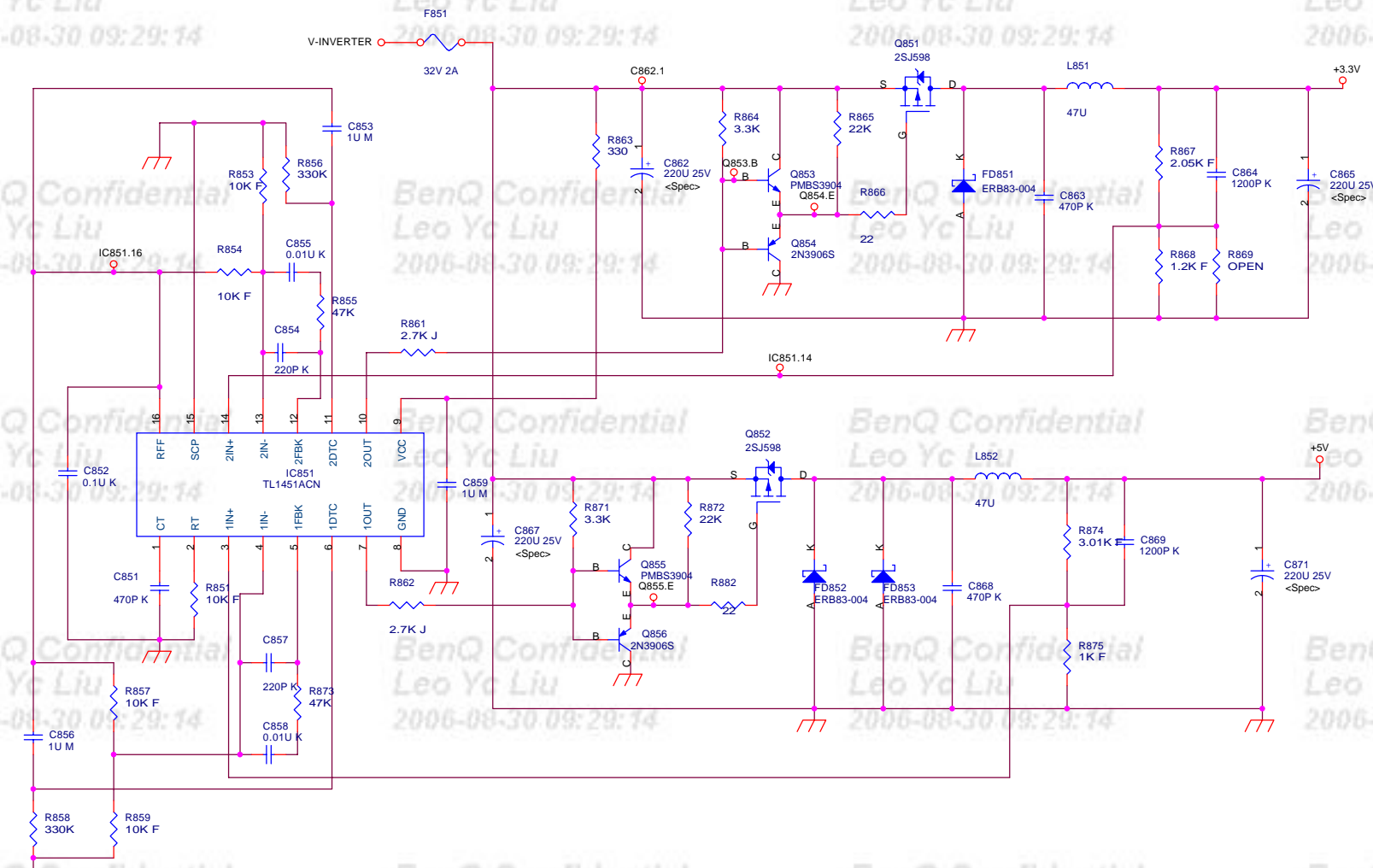
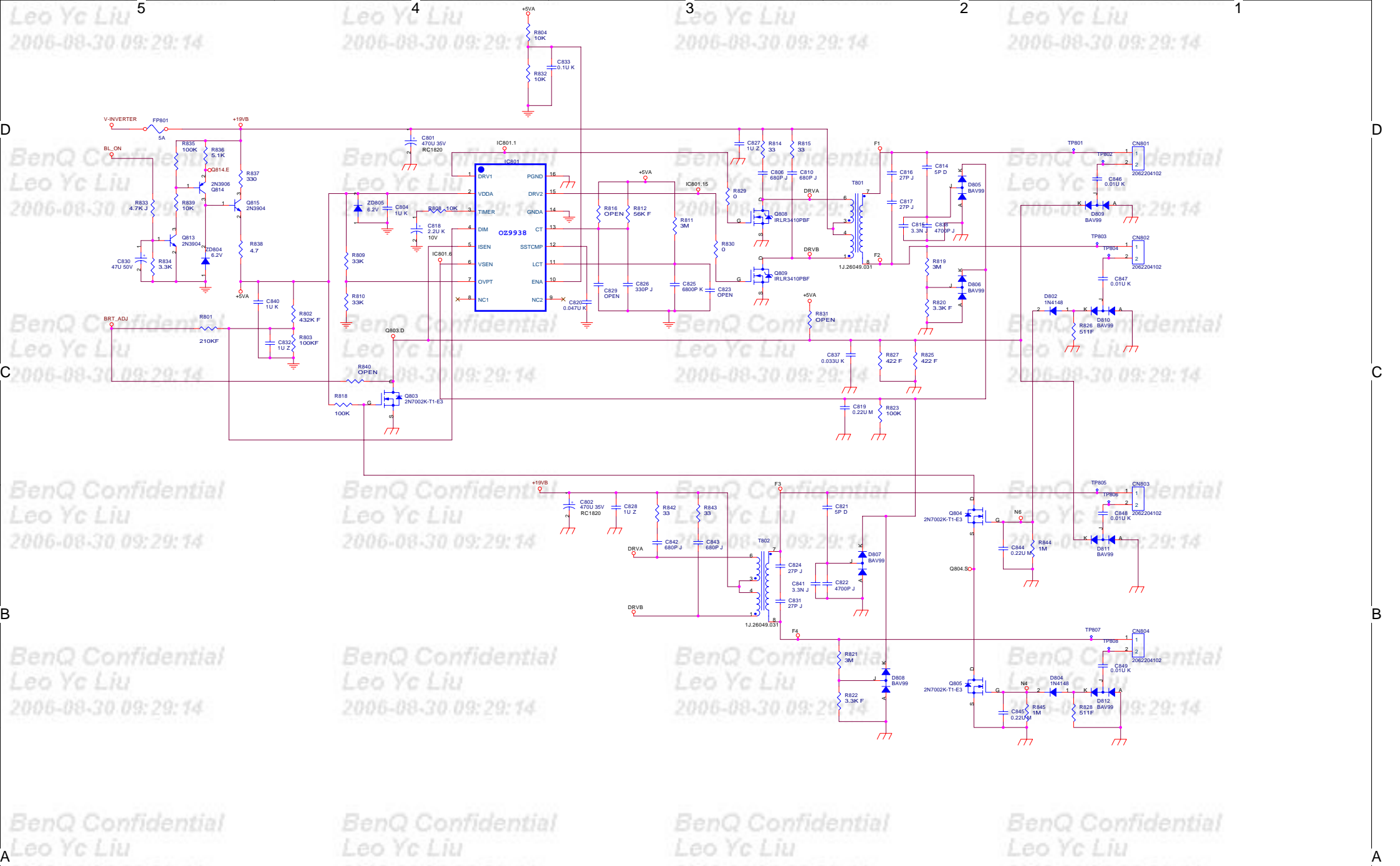


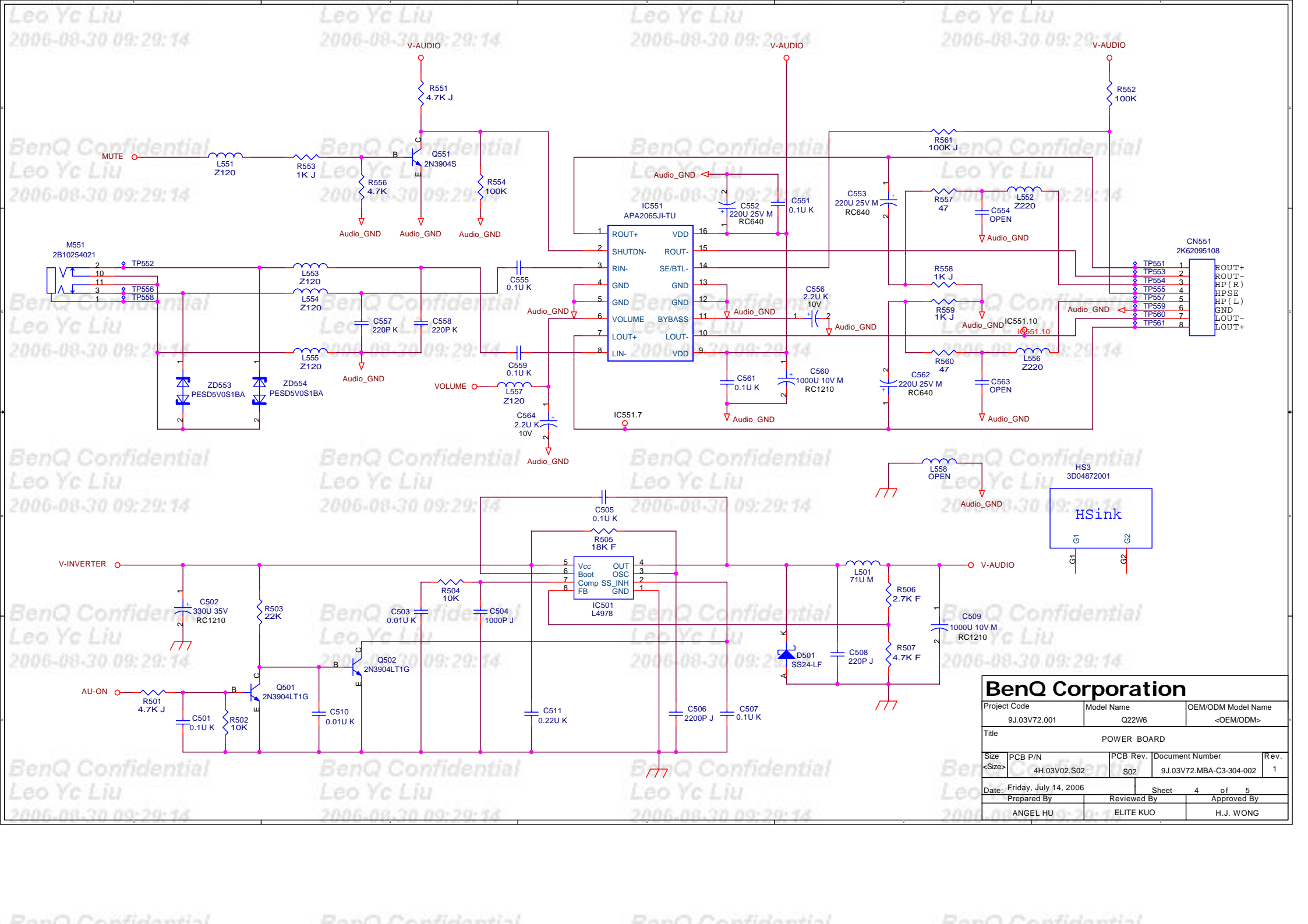
BenQ Corporation				
Project Code	Model Name	OEM/ODM Model Name		
9J.03V72.001	Q22W6	<OEM/ODM>		
Title: POWER BOARD				
Size	PCB P/N	PCB Rev.	Document Number	Rev.
<Size>	4H.03V02.S02	S02	9J.03V72.MBA-C3-304-002	1
Date:	Friday, July 14, 2006	Sheet	1 of 5	
Prepared By		Reviewed By		Approved By
ANGEL HU		ELITE KUO		H.J. WONG



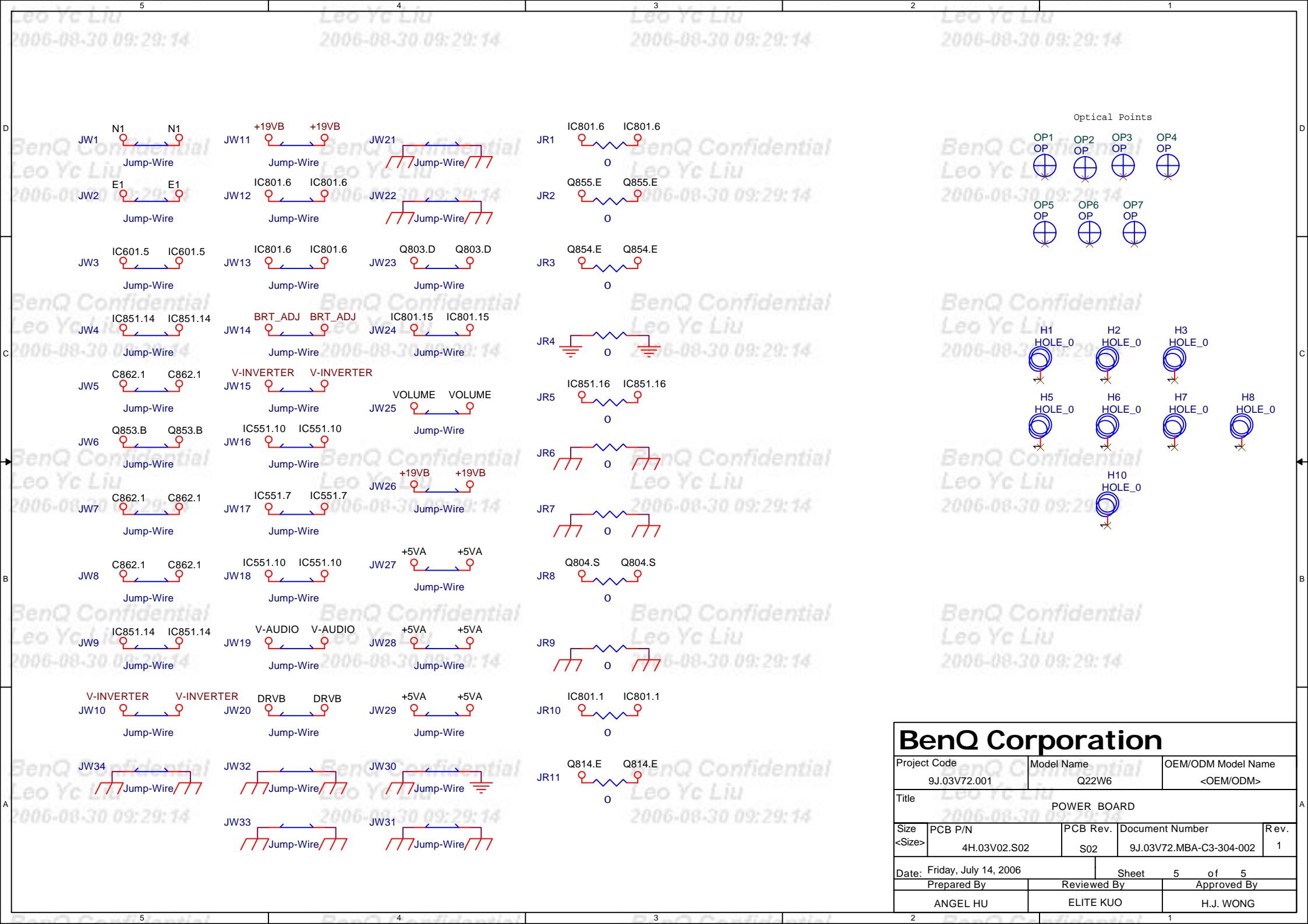
BenQ Corporation			
Project Code	Model Name	OEM/ODM Model Name	
9J.03V72.001	Q22W6	<OEM/ODM>	
Title: POWER BOARD			
Size	PCB P/N	PCB Rev.	Document Number
<Size>	4H.03V02.S02	S02	9J.03V72.MBA-C3-304-002
Date:	Friday, July 14, 2006	Sheet	2 of 5
Prepared By	Reviewed By	Approved By	
ANGEL HU	ELITE KUO	H. J. WONG	



BenQ Corporation			
Project Code	Model Name	OEM/ODM Model Name	
SJ.03V72.001	GZ2W6	<OEM/ODM>	
Title POWER BOARD			
Size	PCB P/N	PCB Rev.	Document Number
<Size>	4H.03V02.S02	S02	9J.03V72.MBA-C3-304-002
Date: Friday, July 14, 2006	Prepared By	Reviewed By	Approved By
	ANGEL HU	ELITE KUO	H.J. WONG



BenQ Corporation				
Project Code	Model Name	OEM/ODM Model Name		
9J.03V72.001	Q22W6	<OEM/ODM>		
Title POWER BOARD				
Size	PCB P/N	PCB Rev.	Document Number	Rev.
<Size>	4H.03V02.S02	S02	9J.03V72.MBA-C3-304-002	1
Date: Friday, July 14, 2006		Sheet 4 of 5		
Prepared By		Reviewed By		Approved By
ANGEL HU		ELITE KUO		H.J. WONG



BenQ Corporation				
Project Code 9J.03V72.001		Model Name Q22W6		OEM/ODM Model Name <OEM/ODM>
Title POWER BOARD				
Size <Size>	PCB P/N 4H.03V02.S02	PCB Rev. S02	Document Number 9J.03V72.MBA-C3-304-002	Rev. 1
Date: Friday, July 14, 2006			Sheet 5 of 5	
Prepared By ANGEL HU		Reviewed By ELITE KUO		Approved By H.J. WONG