



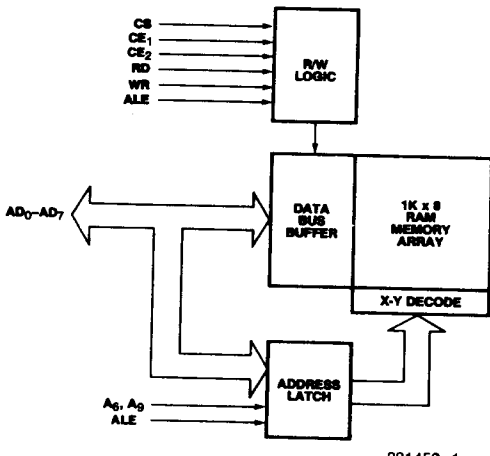
# 8185/8185-2 1024 x 8-BIT STATIC RAM FOR MCS®-85

- Multiplexed Address and Data Bus
  - Directly Compatible with 8085AH and 8088 Microprocessors
  - Low Operating Power Dissipation
- Low Standby Power Dissipation
  - Single +5V Supply
  - High Density 18-Pin Package

The Intel 8185 is an 8192-bit static random access memory (RAM) organized as 1024 words by 8-bits using N-channel Silicon-Gate MOS technology. The multiplexed address and data bus allows the 8185 to interface directly to the 8085AH and 8088 microprocessors to provide a maximum level of system integration.

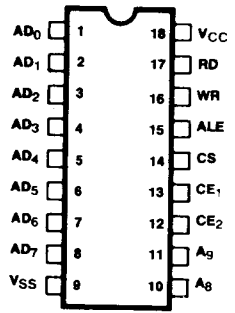
The low standby power dissipation minimizes system power requirements when the 8185 is disabled.

The 8185-2 is a high-speed selected version of the 8185 that is compatible with the 5 MHz 8085AH-2 and the 5 MHz 8088.



**Figure 1. Block Diagram**

231450-1



**Figure 2. Pin Configuration**

231450-2

Pin Names	
AD <sub>0</sub> -AD <sub>7</sub>	Address/Data Lines
A <sub>8</sub> , A <sub>9</sub>	Address Lines
CS	Chip Select
CE <sub>1</sub>	Chip Enable (IO/M)
CE <sub>2</sub>	Chip Enable
ALE	Address Latch Enable
WR	Write Enable

**FUNCTIONAL DESCRIPTION**

The 8185 has been designed to provide for direct interface to the multiplexed bus structure and bus timing of the 8085A microprocessor.

At the beginning of an 8185 memory access cycle, the 8-bit address on AD<sub>0-7</sub>, A<sub>8</sub> and A<sub>9</sub>, and the status of CE<sub>1</sub> and CE<sub>2</sub> are all latched internally in the 8185 by the falling edge of ALE. If the latched status of both CE<sub>1</sub> and CE<sub>2</sub> are active, the 8185 powers itself up, but no action occurs until the CS line goes low and the appropriate RD or WR control signal input is activated.

The CS input is not latched by the 8185 in order to allow the maximum amount of time for address decoding in selecting the 8185 chip. Maximum power consumption savings will occur, however, only when CE<sub>1</sub> and CE<sub>2</sub> are activated selectively to power down the 8185 when it is not in use. A possible connection would be to wire the 8085A's IO/M line to the 8185's CE<sub>1</sub> input, thereby keeping the 8185 powered down during I/O and interrupt cycles.

**Table 1. Truth Table for Power Down and Function Enable**

CE <sub>1</sub>	CE <sub>2</sub>	CS	(CS*) <sup>(2)</sup>	8185 Status
1	X	X	0	Power Down and Function Disable <sup>(1)</sup>
X	0	X	0	Power Down and Function Disable <sup>(1)</sup>
0	1	1	0	Powered Up and Function Disable <sup>(1)</sup>
0	1	0	1	Powered Up and Enabled

**NOTES:**

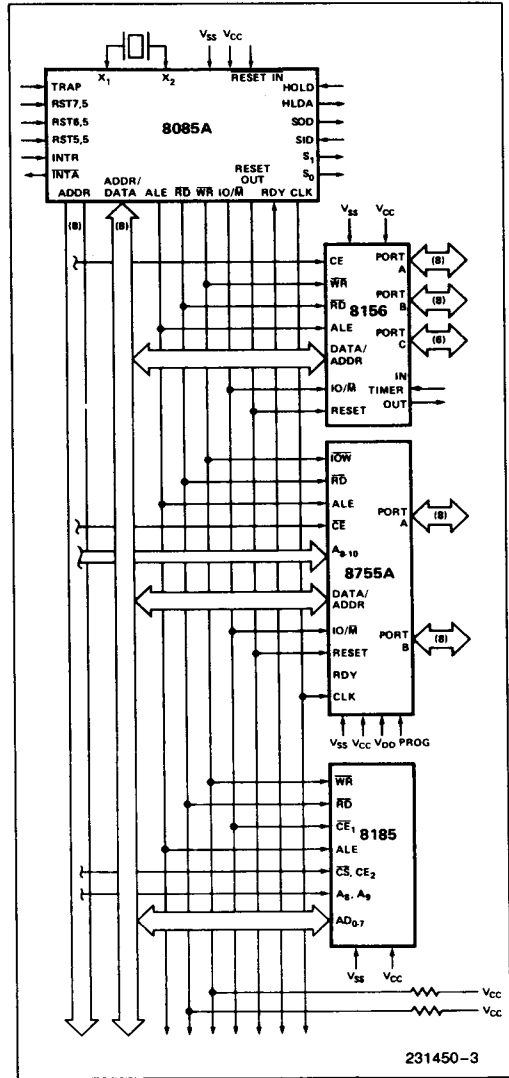
- X = Don't Care.
- 1: Function Disable implies Data Bus in high impedance state and not writing.
- 2: CS\* = (CE<sub>1</sub> = 0) × (CE<sub>2</sub> = 1) × (CS = 0).
- CS\* = 1 signifies all chip enables and chip select active.

**Table 2. Truth Table for Control and Data Bus Pin Status**

(CS*)	RD	WR	AD <sub>0-7</sub> During Data Portion of Cycle	8185 Function
0	X	X	Hi-Impedance	No Function
1	0	1	Data from Memory	Read
1	1	0	Data to Memory	Write
1	1	1	Hi-Impedance	Reading, but not Driving Data Bus

**NOTE:**

X = Don't Care.



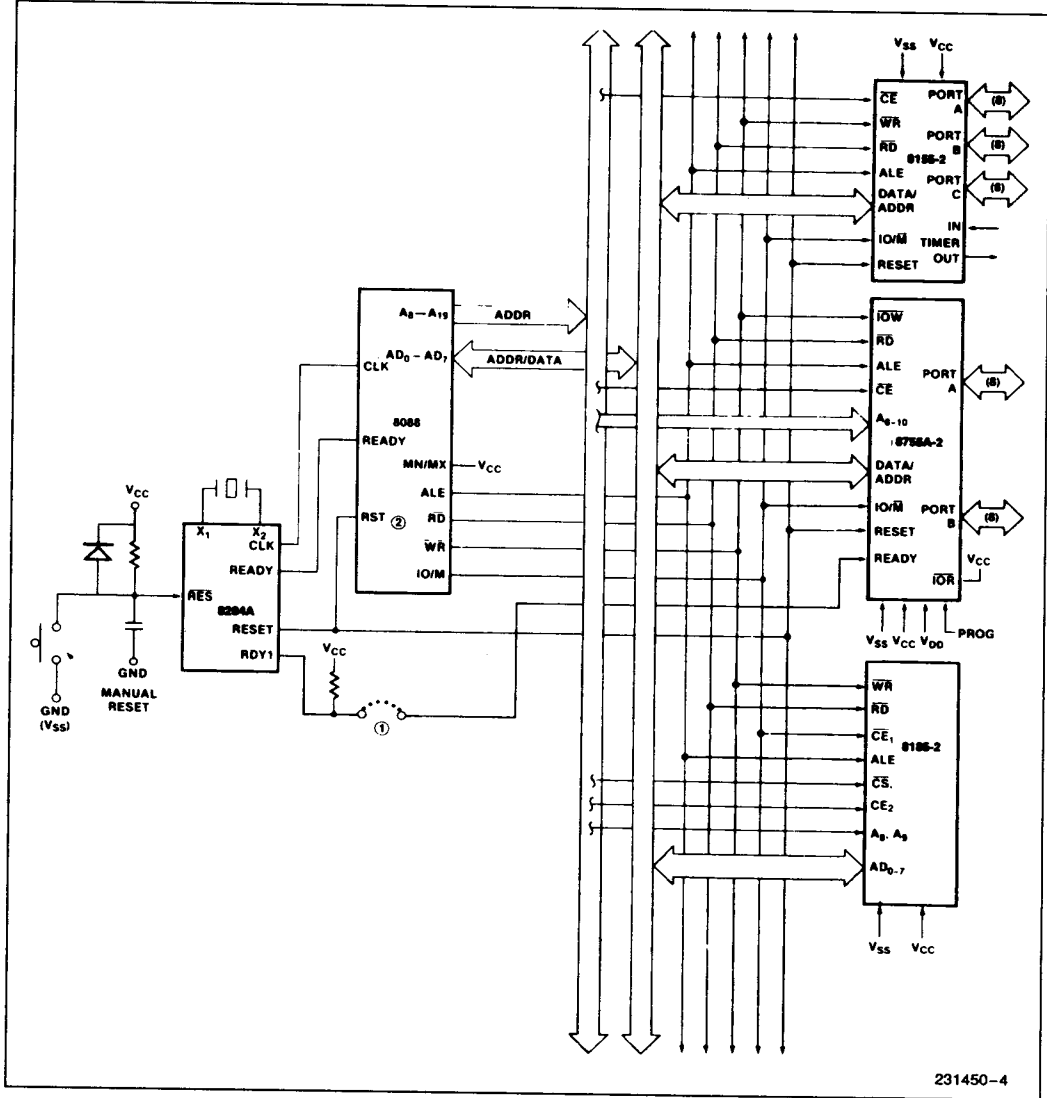
**Figure 3. 8185 in an MCS<sup>®</sup>-85 System**

- 4 Chips:
- 2K Bytes EPROM
- 1.25K Bytes RAM
- 38 I/O Lines
- 1 Counter/Timer
- 2 Serial I/O Lines
- 5 Interrupt Inputs

**IAPX 88 FIVE CHIP SYSTEM:**

- 1.25K Bytes RAM
- 2K Bytes EPROM
- 38 I/O Pins
- 1 Internal Timer
- 2 Interrupt Levels

1



**Figure 4. IAPX 88 Five Chip System Configuration**

231450-4

**ABSOLUTE MAXIMUM RATINGS\***

Temperature Under Bias ..... 0°C to +70°C  
 Storage Temperature ..... -65°C to +150°C  
 Voltage on Any Pin  
     with Respect to Ground ..... -0.5V to +7V  
 Power Dissipation ..... 1.5W

NOTICE: This is a production data sheet. The specifications are subject to change without notice.

*\*WARNING: Stressing the device beyond the "Absolute Maximum Ratings" may cause permanent damage. These are stress ratings only. Operation beyond the "Operating Conditions" is not recommended and extended exposure beyond the "Operating Conditions" may affect device reliability.*

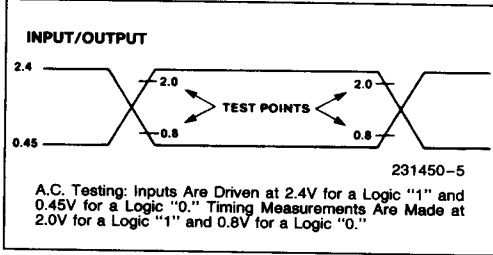
**D.C. CHARACTERISTICS**  $T_A = 0^\circ\text{C to } 70^\circ\text{C}$ ,  $V_{CC} = 5V \pm 10\%$ 

Symbol	Parameter	Min	Max	Units	Test Conditions
$V_{IL}$	Input Low Voltage	-0.5	0.8	V	
$V_{IH}$	Input High Voltage	2.0	$V_{CC} + 0.5$	V	
$V_{OL}$	Output Low Voltage		0.45	V	$I_{OL} = 2 \text{ mA}$
$V_{OH}$	Output High Voltage	2.4			$I_{OH} = -400 \mu\text{A}$
$I_{IL}$	Input Leakage		$\pm 10$	$\mu\text{A}$	$0V \leq V_{IN} \leq V_{CC}$
$I_{LO}$	Output Leakage Current		$\pm 10$	$\mu\text{A}$	$0.45V \leq V_{OUT} \leq V_{CC}$
$I_{CC}$	$V_{CC}$ Supply Current Powered Up		100	mA	
	Powered Down		35	mA	

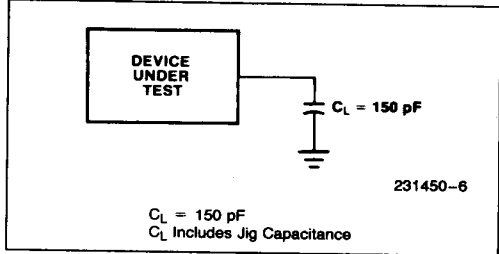
**A.C. CHARACTERISTICS**  $T_A = 0^\circ\text{C to } 70^\circ\text{C}$ ,  $V_{CC} = 5V \pm 10\%$ 

Symbol	Parameter	8185		8185-2		Units
		Min	Max	Min	Max	
$t_{AL}$	Address to Latch Set Up Time	50		30		ns
$t_{LA}$	Address Hold Time After Latch	80		30		ns
$t_{LC}$	Latch to READ/WRITE Control	100		40		ns
$t_{RD}$	Valid Data Out Delay from READ Control		170		140	ns
$t_{LD}$	ALE to Data Out Valid		300		200	ns
$t_{LL}$	Latch Enable Width	100		70		ns
$t_{RDF}$	Data Bus Float After READ	0	100	0	80	ns
$t_{CL}$	READ/WRITE Control to Latch Enable	20		10		ns
$t_{CC}$	READ/WRITE Control Width	250		200		ns
$t_{DW}$	Data In to WRITE Set Up Time	150		150		ns
$t_{WD}$	Data In Hold Time After WRITE	20		20		ns
$t_{SC}$	Chip Select Set Up to Control Line	10		10		ns
$t_{CS}$	Chip Select Hold Time After Control	10		10		ns
$t_{ALCE}$	Chip Enable Set Up to ALE Falling	30		10		ns
$t_{LACE}$	Chip Enable Hold Time After ALE	50		30		ns

**A.C. TESTING INPUT, OUTPUT WAVEFORM**



**A.C. TESTING LOAD CIRCUIT**



1

**WAVEFORM**

