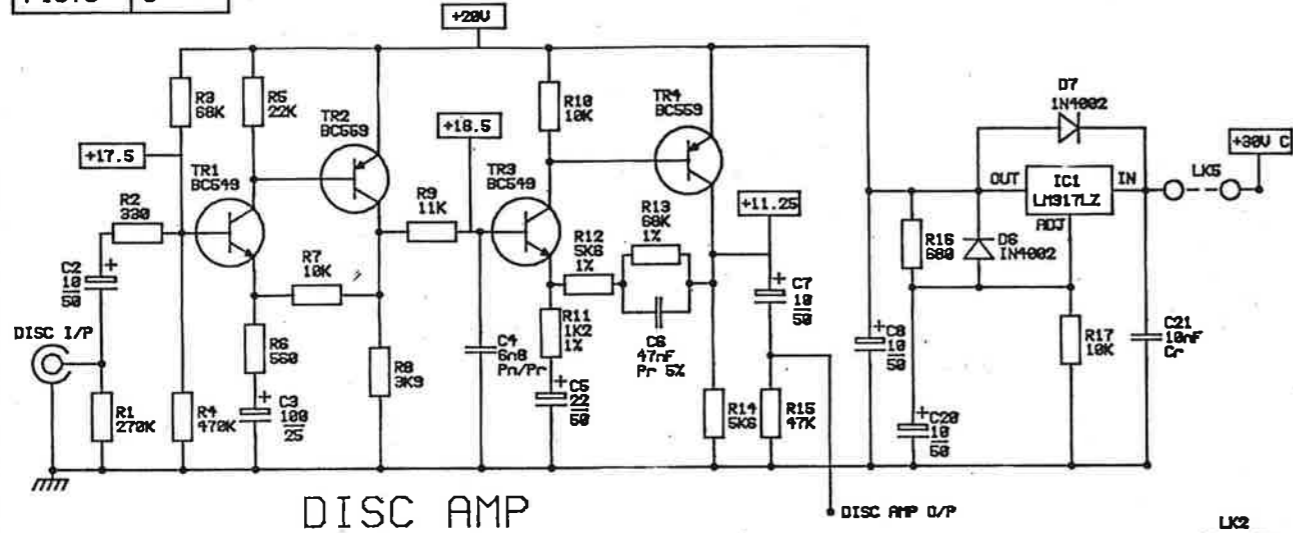


DRAWING NO.
3001 0890

PROJECTION 

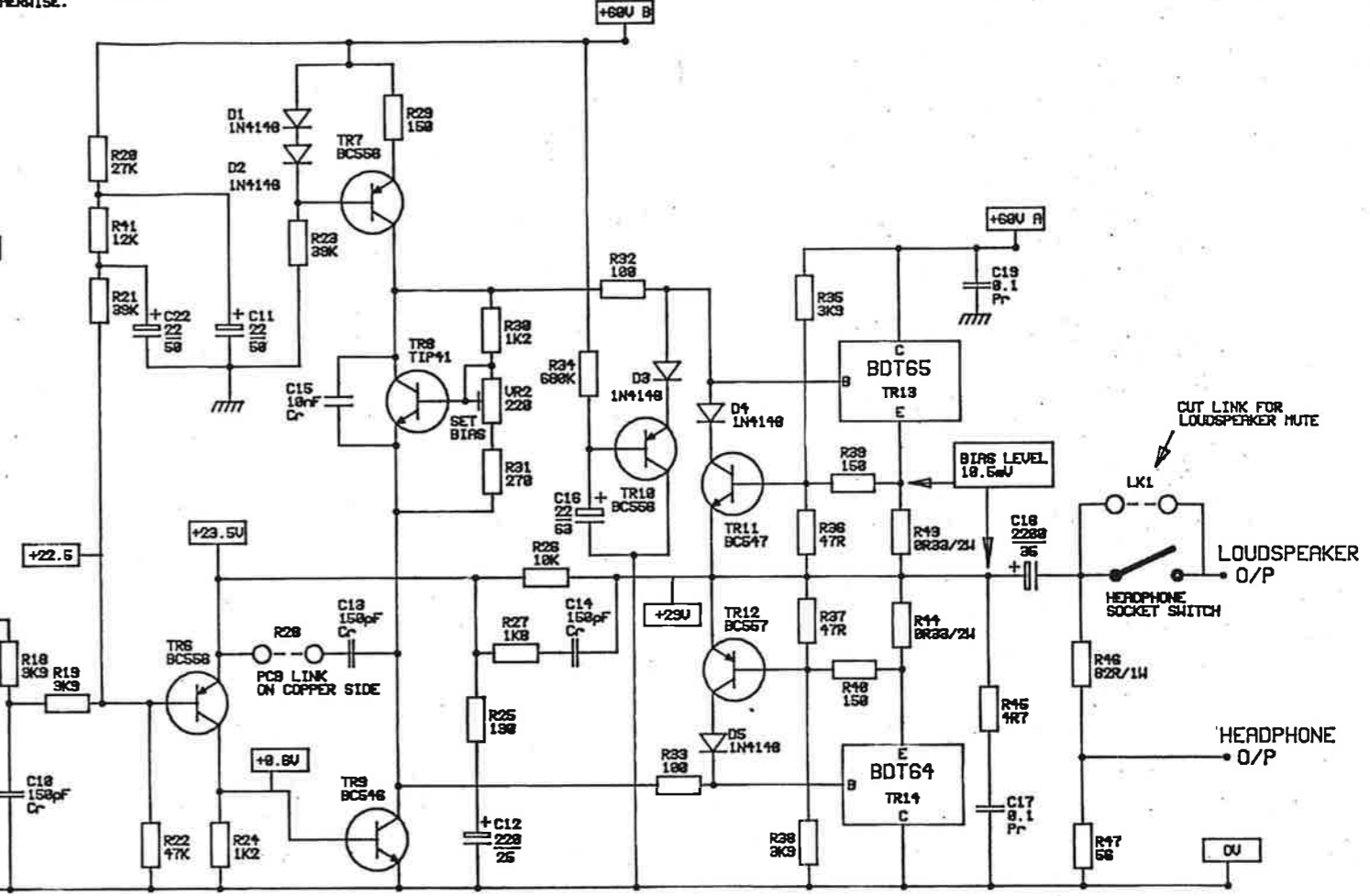
NOTE: ONLY LEFT CHANNEL SHOWN. RIGHT CHANNEL HAS AN (A) SUFFIX ON CIRCUIT REFERENCE NUMBERS.
ALL RESISTORS ARE 0.25W METAL FILM 5% UNLESS STATED OTHERWISE.

PCB NO.	ISSUE
P1070	6



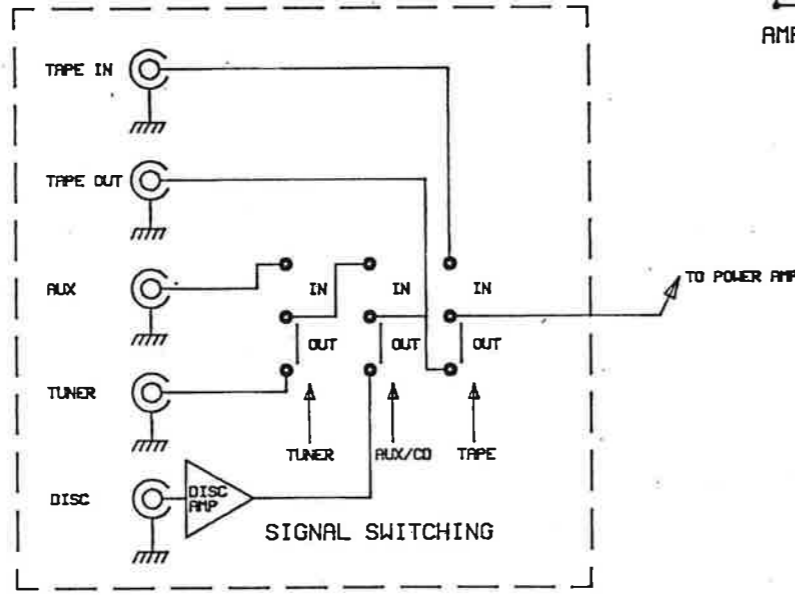
DISC AMP

DISC AMP O/P

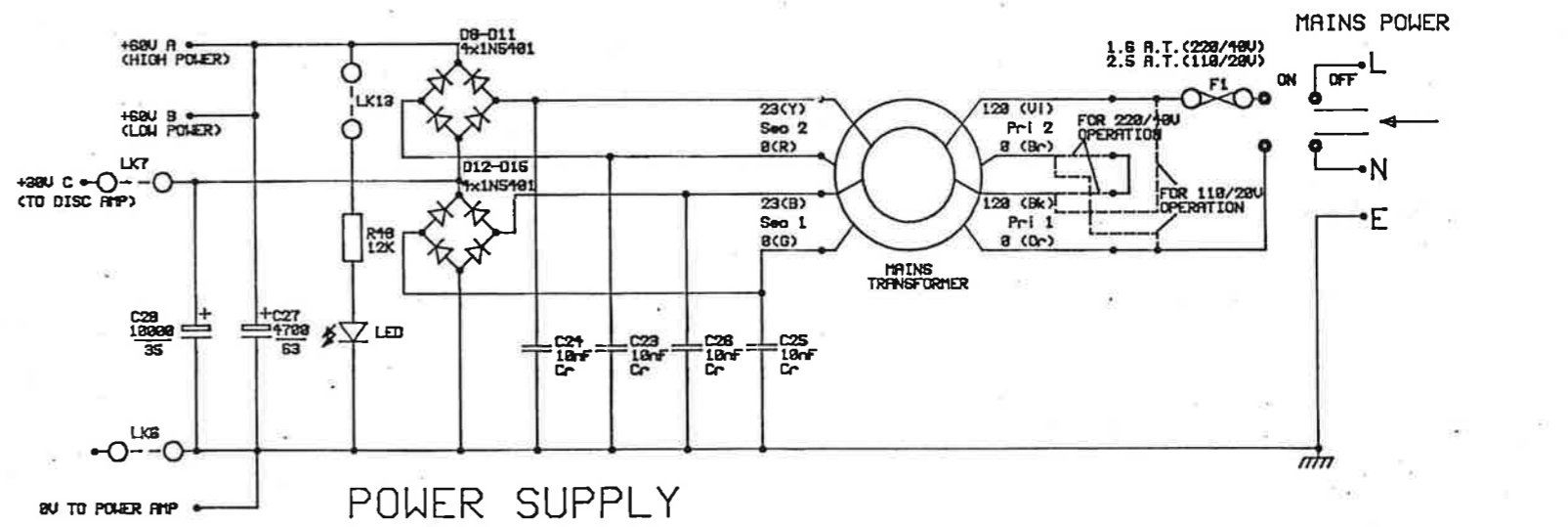
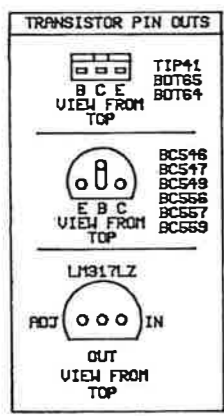


POWER AMP

AMP I/P



SIGNAL SWITCHING



POWER SUPPLY

ISSUE CODE-PROVISIONAL ABC ETC/PRODUCTION 123 ETC

ISSUE A 23/7/90 FIRST CAD ISSUE
ISSUE 1 1/8/90 FIRST CAD RELEASE

GENERAL INFORMATION
DO NOT SCALE/DIMENSIONS IN MM
TOLERANCES +/- ANGLES +/-
GENERAL DRAFT
UNSPECIFIED RADII
GEOMETRIC TOLERANCES TO BS 308
REMOVE ALL BURR AND SHARP EDGES

MATERIAL
FINISH

DRAWN S ALLWOOD
DATE 23/7/90
CHECKED R HAY
SCALE

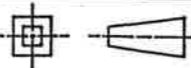
TITLE
OBELISK 1 CIRCUIT DIAGRAM

PRECISION AUDIO EQUIPMENT
42 HOCHRE INDUSTRIAL ESTATE - NEWTON - POLYS SY18 4LE - U.K.
TEL. (0688) 825298 FAX (0688) 825241

DRAWING NO. 3001 0890
SHEET 1 OF 1
ISSUE 1

A B C D E F G H I J K L M N O P Q R S

DRAWING NO.
3002 0890

PROJECTION 

POWER AMP

TRANSISTOR PIN OUTS
VIEW FROM UNDERSIDE



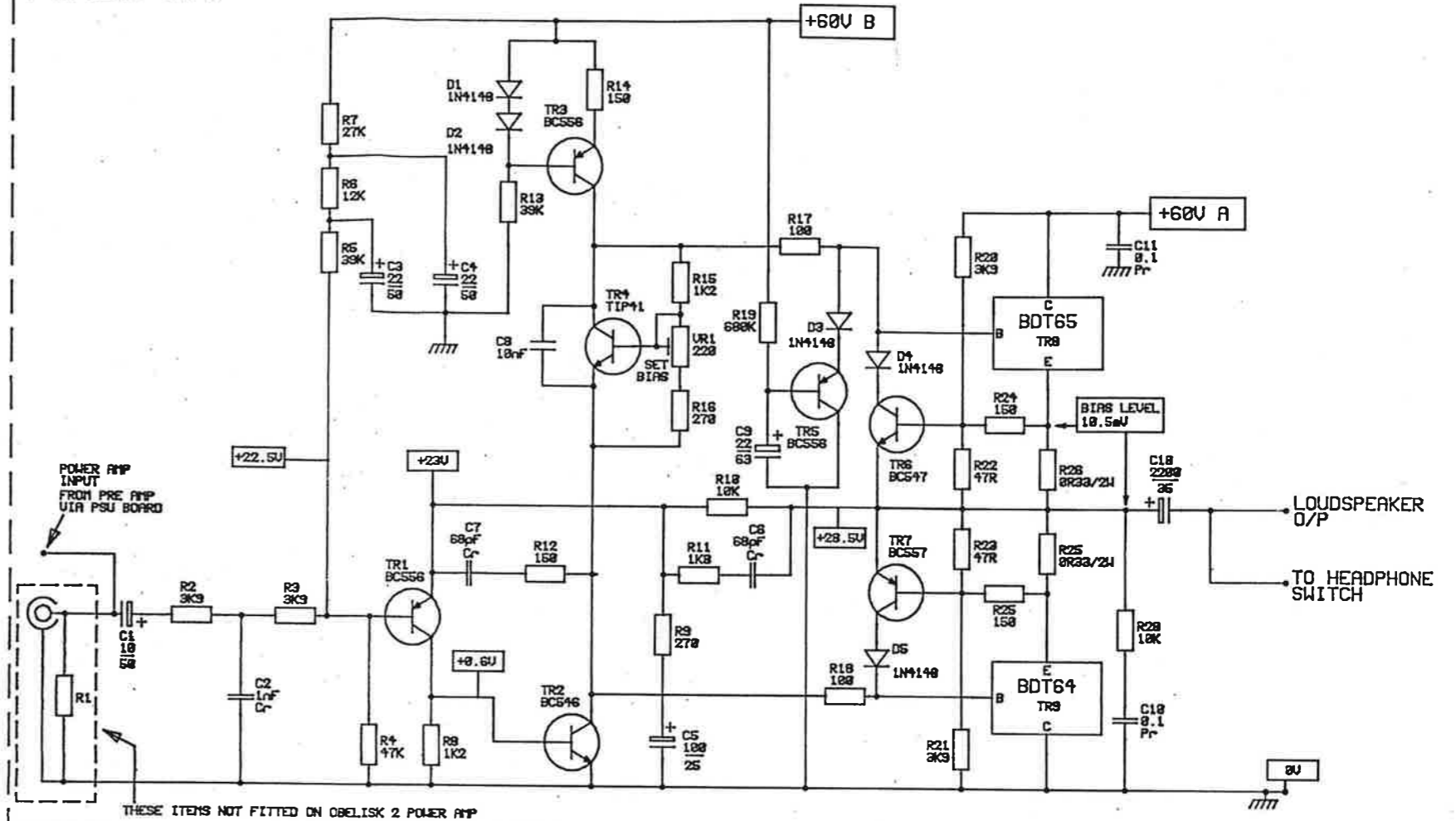
29C2516/7



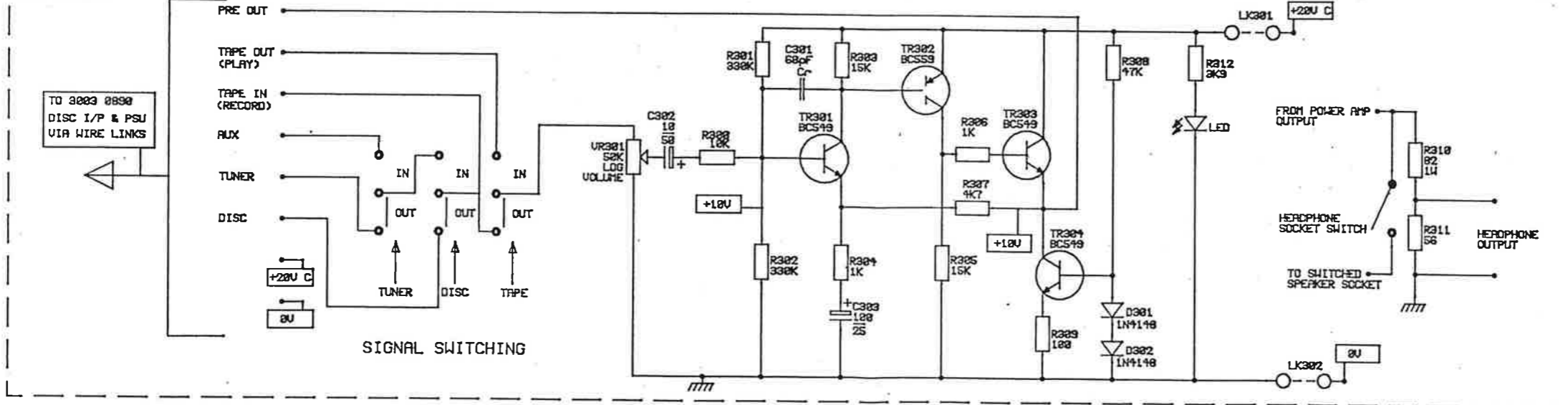
NOTE. USE THIS DRAWING IN
CONJUNCTION WITH DRAWING
NO. 3003 0890

PCB NO.	ISSUE
P1062	4
P1071	4

NOTE. ONLY LEFT CHANNEL SHOWN. RIGHT CHANNEL HAS AN (R) SUFFIX ON CIRCUIT REFERENCE NUMBERS.
ALL RESISTORS ARE 0.25W METAL FILM 5% UNLESS STATED OTHERWISE.



POT BOARD



ISSUE CODE-PROVISIONAL ABC ETC/PRODUCTION 123 ETC

ISSUE A 22/7/90 FIRST CAD ISSUE
ISSUE 1 1/8/90 FIRST CAD RELEASE

GENERAL INFORMATION
DO NOT SCALE/DIMENSIONS IN MM
TOLERANCES +/- ANGLES +/-
GENERAL DRAFT
UNSPECIFIED RADII
GEOMETRIC TOLERANCES TO BS 308
REMOVE ALL BURR AND SHARP EDGES

MATERIAL

FINISH

DRAWN	DATE	CHECKED	SCALE
S ALLWOOD	30/07/90	R HAY	

TITLE
OBELISK 2 SIGNAL SWITCHING AND POWER AMP BOARD CIRCUIT DIAGRAM

PRECISION AUDIO EQUIPMENT
42 HOCHDRE INDUSTRIAL ESTATE - NEWTON - POLYS SY18 4LE - U.K.
TEL. (0696) 625268 FAX (0696) 625241

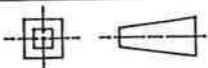


DRAWING NO. 3002 0890
SHEET 1 OF 2
ISSUE 1

A B C D E F G H I J K L M N O P Q R S

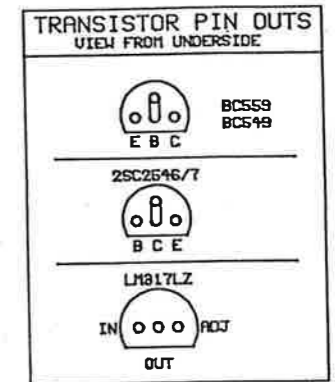
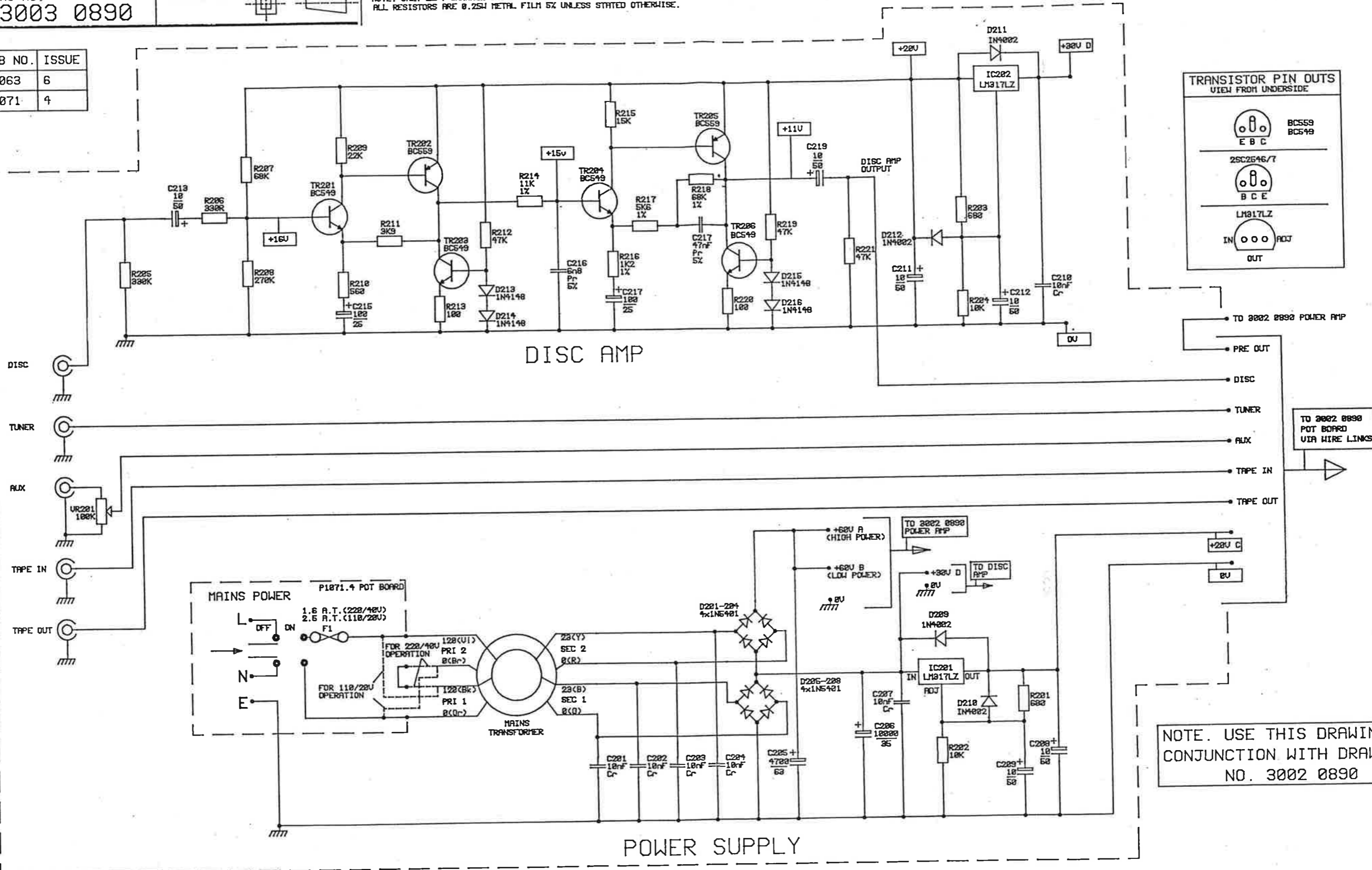
DRAWING NO.
3003 0890

PROJECTION



NOTE. ONLY LEFT CHANNEL SHOWN. RIGHT CHANNEL HAS AN (A) SUFFIX ON CIRCUIT REFERENCE NUMBERS.
ALL RESISTORS ARE 0.25W METAL FILM 5% UNLESS STATED OTHERWISE.

PCB NO.	ISSUE
P1063	6
P1071	4

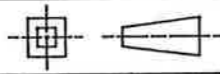


NOTE. USE THIS DRAWING IN CONJUNCTION WITH DRAWING NO. 3002 0890

ISSUE CODE-PROVISIONAL ABC ETC/PRODUCTION 123 ETC		GENERAL INFORMATION DO NOT SCALE/DIMENSIONS IN MM TOLERANCES +/- ANGLES +/- GENERAL DRAFT UNSPECIFIED RADII GEOMETRIC TOLERANCES TO BS 308 REMOVE ALL BURR AND SHARP EDGES		MATERIAL		DRAWN	DATE	CHECKED	SCALE
ISSUE A ISSUE 1	23/7/90 1/8/90	FIRST CAD ISSUE FIRST CAD RELEASE				S ALLWOOD	28/7/90	R HAY	
PRECISION AUDIO EQUIPMENT				FINISH		TITLE			
42 HOCHDRE INDUSTRIAL ESTATE - NEWTON - POLYS SY16 4LE - U.K. TEL. (0886) 825266 FAX (0886) 825241				BY ION SYSTEMS		OBELISK 2 INPUT AND PSU CIRCUIT DIAGRAM BOARD			
DRAWING NO.						SHEET		ISSUE	
3003 0890						2 OF 2		1	

DRAWING NO.
3004 0890

PROJECTION



POWER AMP

TRANSISTOR PIN OUTS
VIEW FROM UNDERSIDE



BC546
BC547
BC548
BC556
BC557
BC559



TIP41
BOT64
BOT65

2SC2546/7



B C E

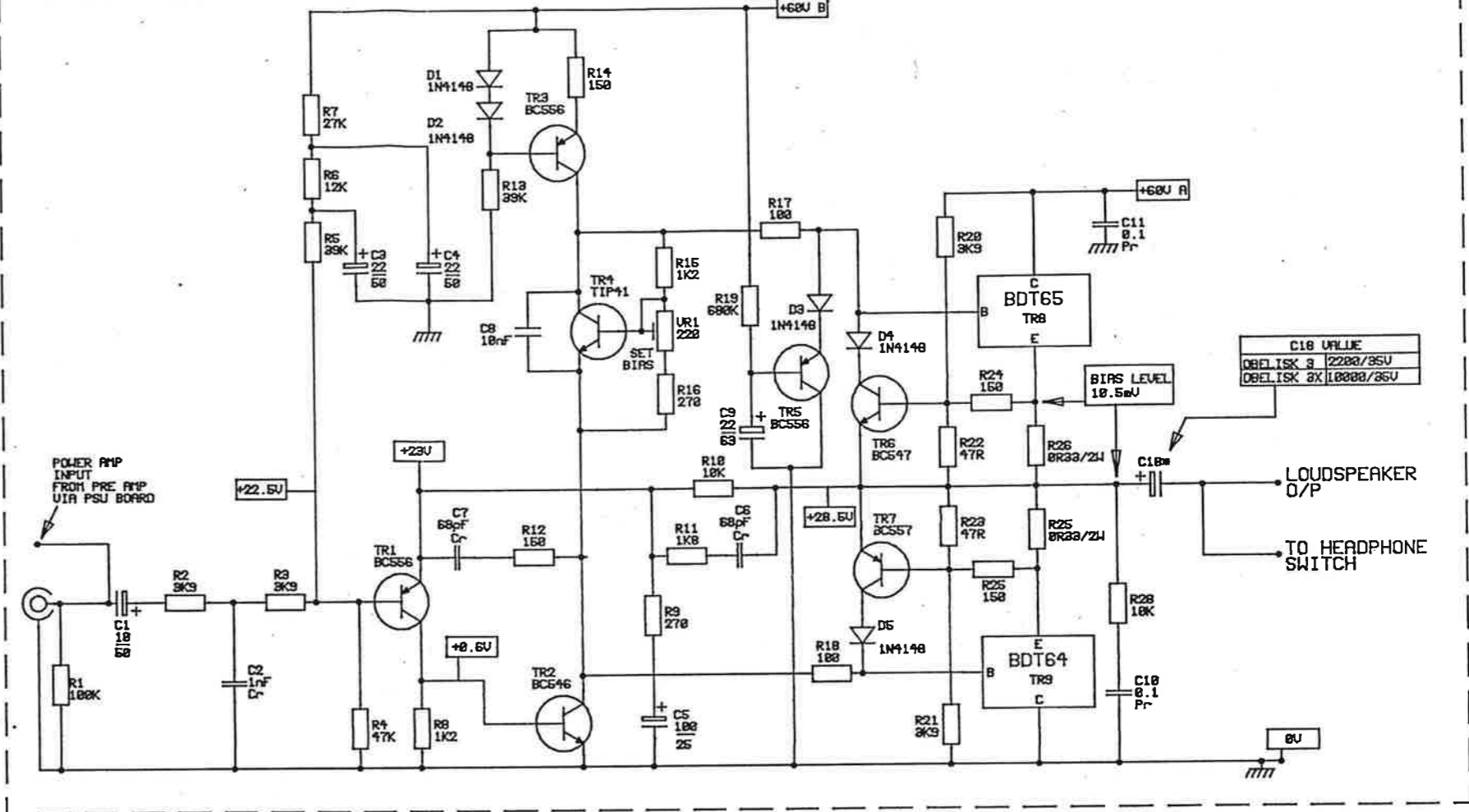
LM1917LZ



IN OUT

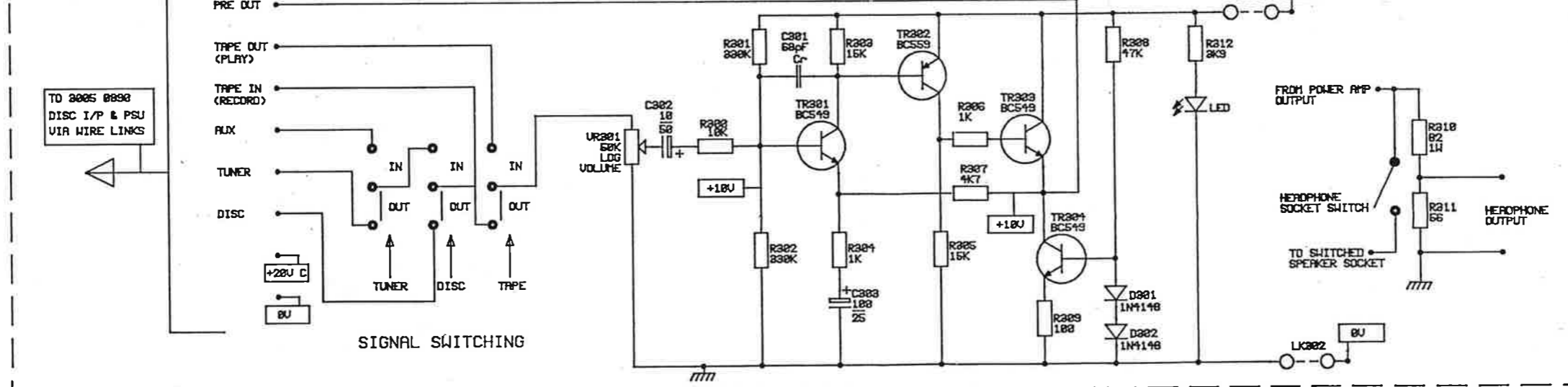
NOTE. USE THIS DRAWING IN
CONJUNCTION WITH DRAWING
NO. 3005 0890

PCB NO.	ISSUE
P1062	4
P1071	4



NOTE. ONLY LEFT CHANNEL SHOWN. RIGHT CHANNEL HAS AN (A) SUFFIX ON CIRCUIT REFERENCE NUMBERS.
ALL RESISTORS ARE 0.25W METAL FILM 5% UNLESS STATED OTHERWISE.

POT BOARD



ISSUE CODE-PROVISIONAL ABC ETC/PRODUCTION 123 ETC

ISSUE A 22/7/90 FIRST CAD ISSUE
ISSUE 1 1/8/90 FIRST CAD RELEASE

GENERAL INFORMATION
DO NOT SCALE/DIMENSIONS IN MM
TOLERANCES +/- ANGLES +/-
GENERAL DRAFT
UNSPECIFIED RADII
GEOMETRIC TOLERANCES TO BS 308
REMOVE ALL BURR AND SHARP EDGES

MATERIAL

FINISH

DRAWN

DATE

CHECKED

SCALE

S ALLWOOD

30/07/90

R HAY

TITLE

OBELISK 3 SIGNAL SWITCHING AND POWER AMP BOARD CIRCUIT DIAGRAM

PRECISION AUDIO EQUIPMENT
42 MOCHORE INDUSTRIAL ESTATE - NEWTOWN - POLYNS SY18 4LE - U.K.
TEL. (0686) 625268 FAX (0686) 625241



DRAWING NO.

3004 0890

SHEET

1 OF 2

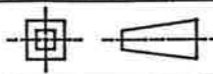
ISSUE

1

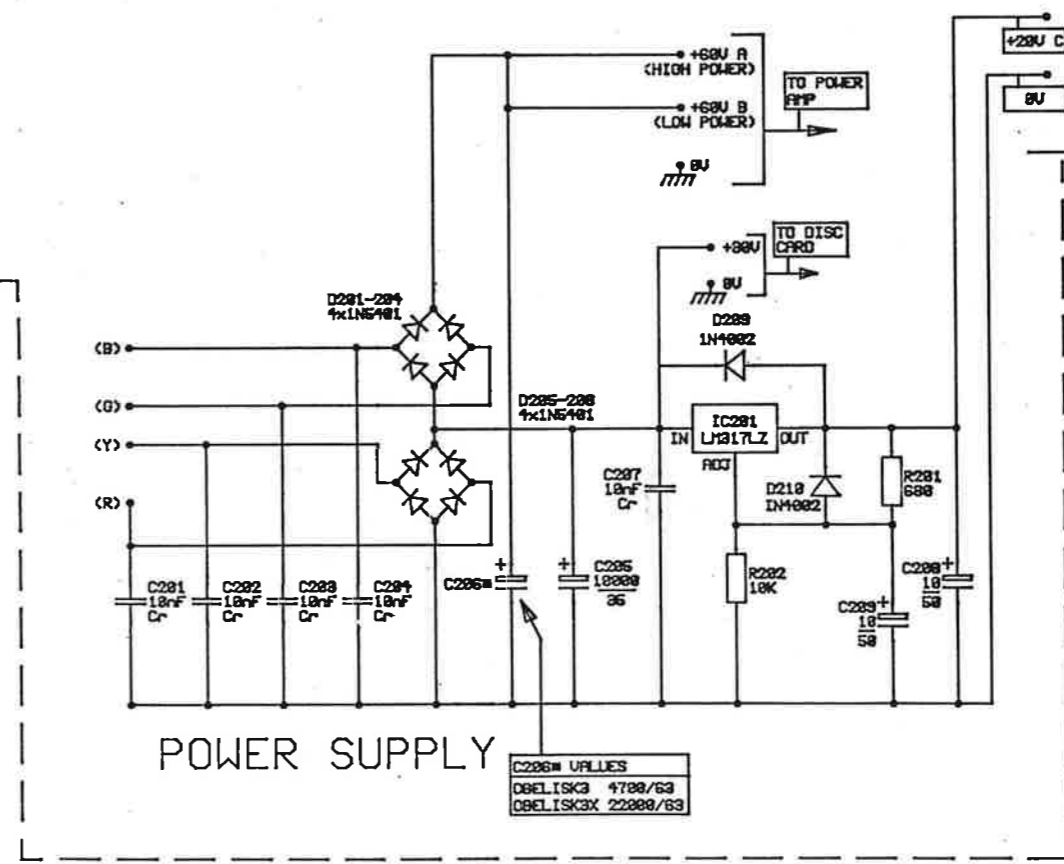
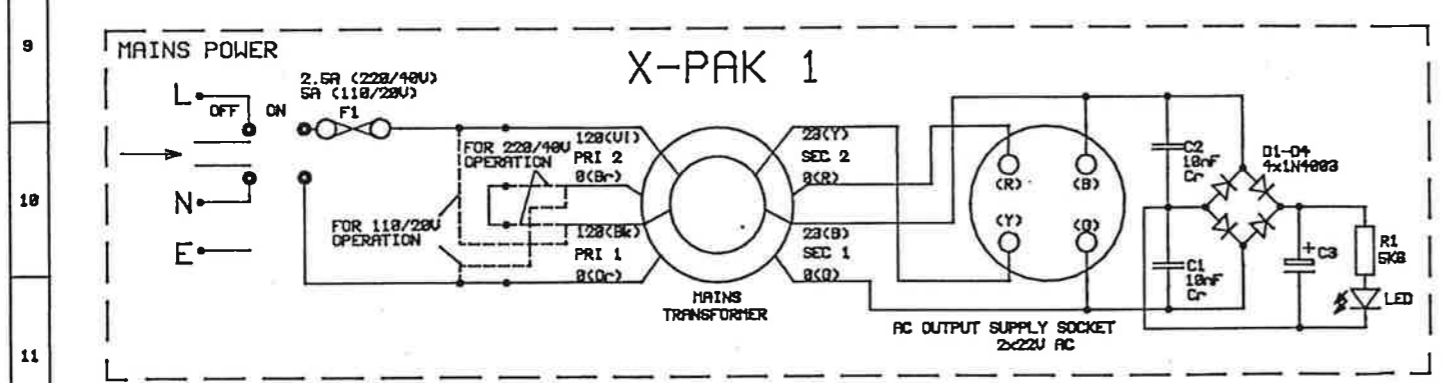
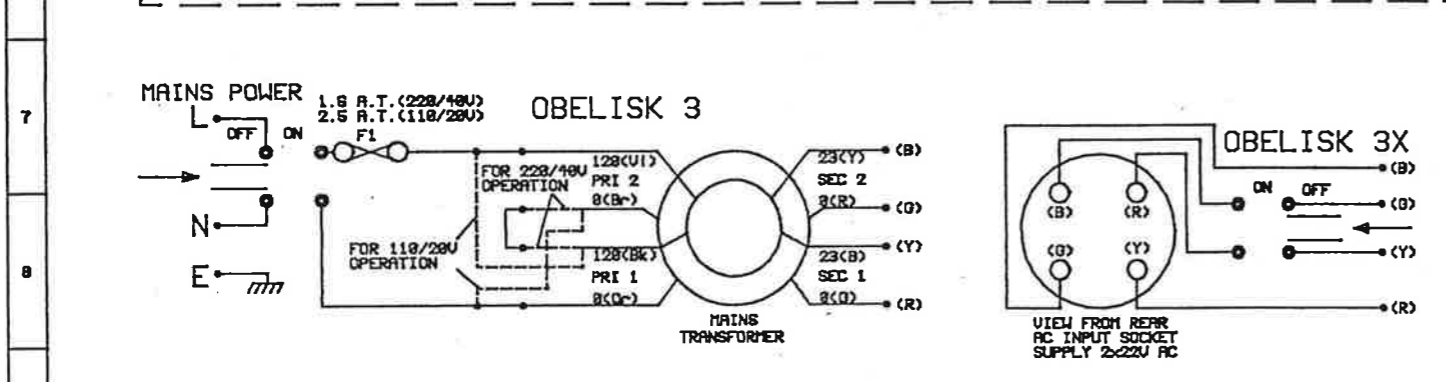
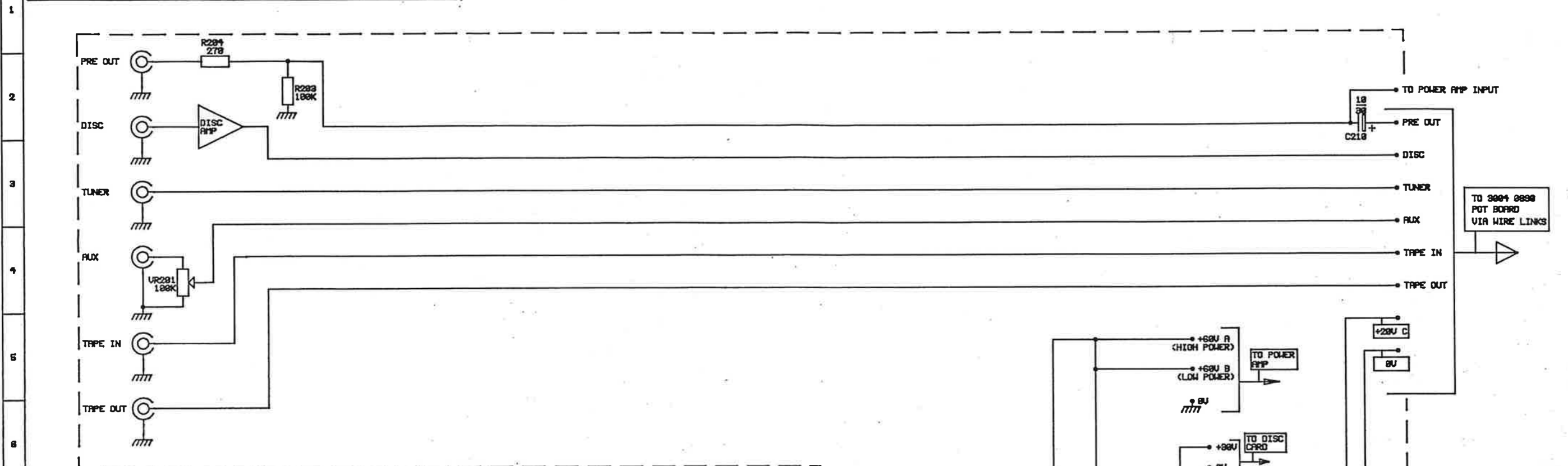
A B C D E F G H I J K L M N O P Q R S

DRAWING NO.
3005 0890

PROJECTION



NOTE. ONLY LEFT CHANNEL SHOWN. RIGHT CHANNEL HAS AN (R) SUFFIX ON CIRCUIT REFERENCE NUMBERS.
ALL RESISTORS ARE 0.25W METAL FILM 5% UNLESS STATED OTHERWISE.

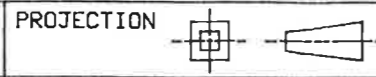


PCB NO.	ISSUE
P1064	5
P1071	4
P1071	1

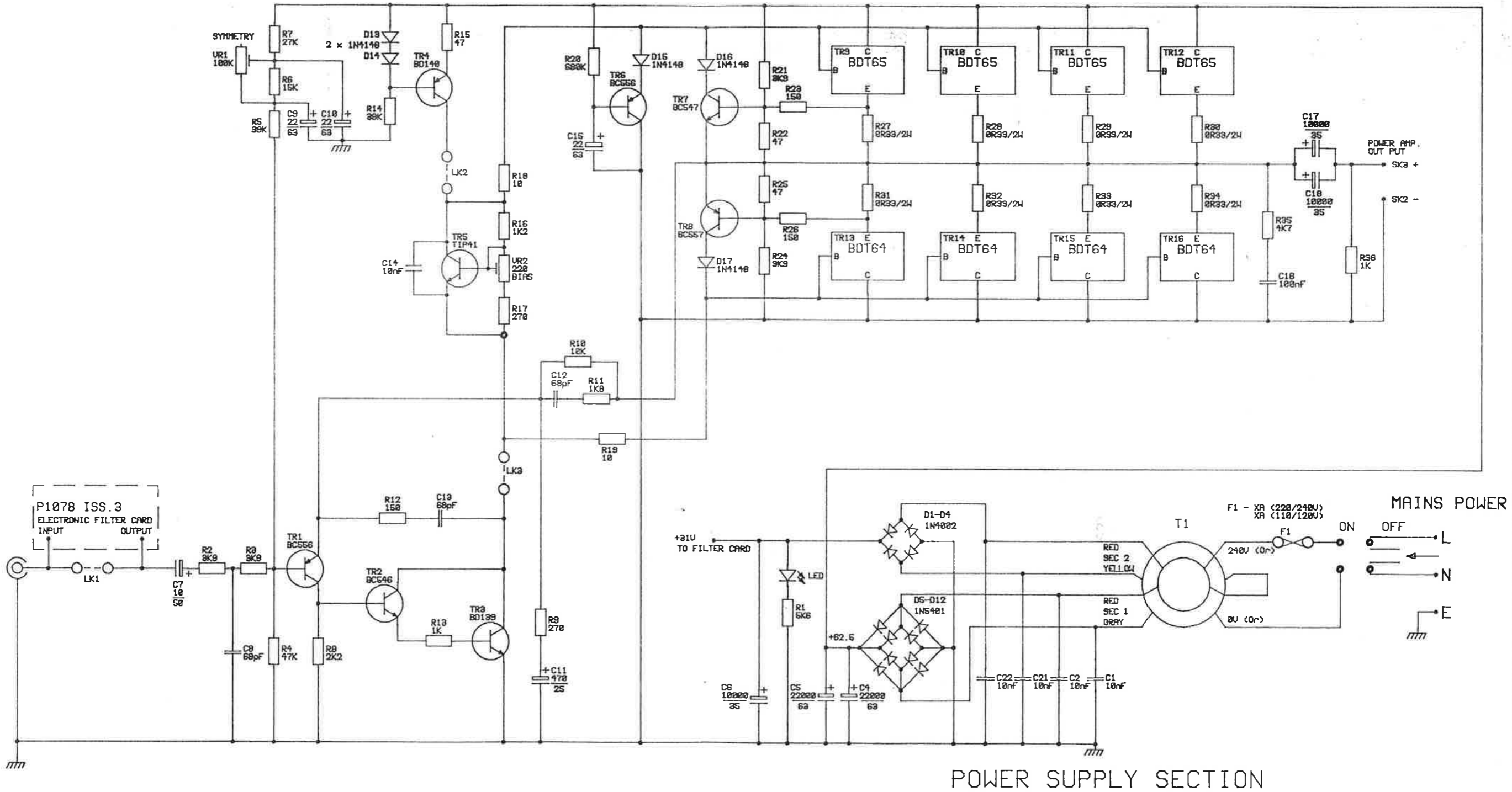
NOTE. USE THIS DRAWING IN CONJUNCTION WITH DRAWING NO. 3004 0890

ISSUE CODE-PROVISIONAL ABC ETC/PRODUCTION 123 ETC			GENERAL INFORMATION		MATERIAL		DRAWN		DATE		CHECKED		SCALE	
ISSUE A	23/7/90	FIRST CAD ISSUE	DO NOT SCALE/DIMENSIONS IN MM				S ALLWOOD		29/07/90		R HAY			
ISSUE 1	1/8/90	FIRST CAD RELEASE	TOLERANCES +/- ANGLES +/-		FINISH		TITLE		DRAWING NO.		SHEET		ISSUE	
			GENERAL DRAFT				OBELISK3/X PSU BOARD CIRCUIT DIAGRAM		3005 0890		2 OF 2		1	
			UNSPECIFIED RADIUS		PRECISION AUDIO EQUIPMENT		DRAWING NO.		3005 0890		2 OF 2		1	
			GEOMETRIC TOLERANCES TO BS 308		12 MOCHORE INDUSTRIAL ESTATE - NEWTON - POLYS SY18 4LE - U.K.		DRAWING NO.		3005 0890		2 OF 2		1	
			REMOVE ALL BURR AND SHARP EDGES		TEL. (0688) 825268 FAX (0688) 825241		DRAWING NO.		3005 0890		2 OF 2		1	

DRAWING NO.
3031 1090



ALL RESISTORS ARE 0.25W 5% METAL FILM UNLESS STATED OTHERWISE



POWER SUPPLY SECTION

ISSUE CODE-PROVISIONAL ABC ETC/PRODUCTION 123 ETC

ISSUE A 29/10/98 FIRST CAD ISSUE

GENERAL INFORMATION
DO NOT SCALE/DIMENSIONS IN MM
TOLERANCES +/- ANGLES +/-
GENERAL DRAFT
UNSPECIFIED RADII
GEOMETRIC TOLERANCES TO BS 308
REMOVE ALL BURR AND SHARP EDGES

MATERIAL

DRAWN DATE CHECKED SCALE

FINISH

TITLE
NEXUS POWER AMP. CIRCUIT DIAGRAM

PRECISION AUDIO EQUIPMENT
42 MOCHORE INDUSTRIAL ESTATE - NEWTON - POLYS SY18 4LE - U.K.
TEL. (0688) 825288 FAX (0688) 825241



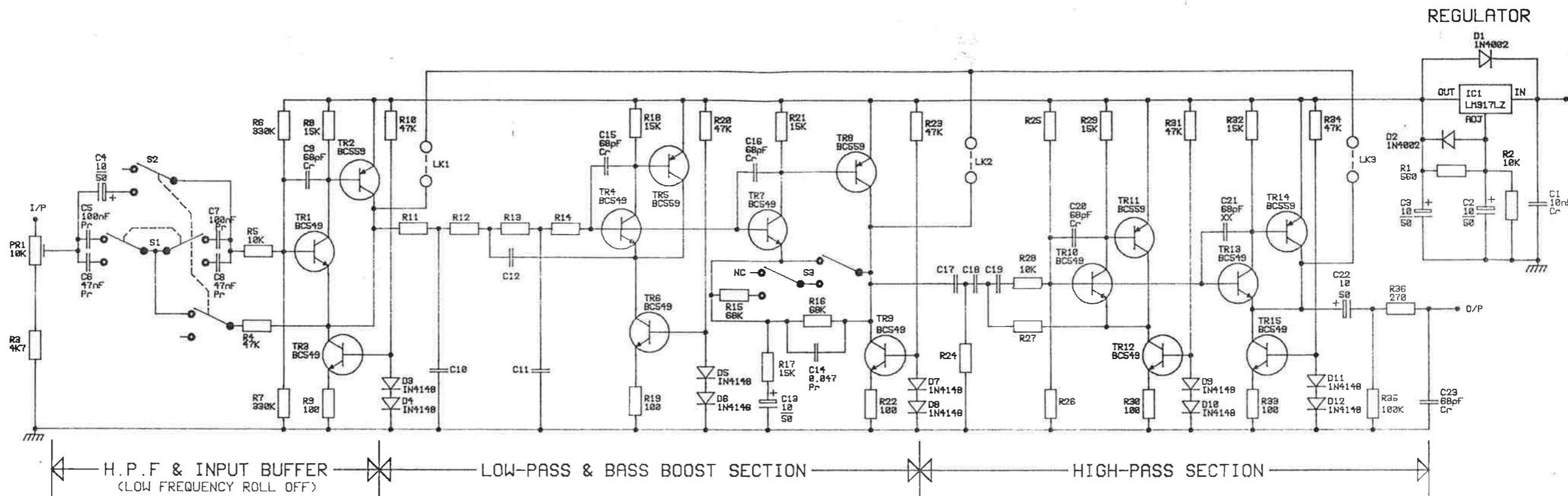
DRAWING NO. 3031 1090 SHEET OF ISSUE

A B C D E F G H I J K L M N O P Q R S

DRAWING NO. 30130990

PROJECTION

ALL RESISTORS ARE 0.25W 5% METAL FILM UNLESS STATED OTHERWISE



NOTE MOD. TO GIVE 6 & 12 dB bass lift
R15 - 22K

LOW PASS								BAND PASS										HIGH PASS												
SPEAKER	R11	R12	R13	R14	C10	C12	C11	SPEAKER	R11	R12	R13	R14	C10	C12	C11	C17	C18	C19	R24	R27	R25	R26	SPEAKER	R24	R27	R25	R26	C17	C18	C19
DARIUS	3K3	15K	15K	2K7	47n	6n8	1n5	DARIUS															DARIUS	2K7	18K	180K	180K	22n	1n5	1n5
SARA								SARA															SARA							
JC1	3K3	15K	15K	2K7	47n	6n8	1n5	JC1															JC1	2K7	18K	180K	180K	22n	1n5	1n5
PMS	2K7	12K	27K	22K	0.1u	47n	22n	PMS	2K7	15K	15K	2K7	22n	6n8	1n5	0.1u	22n	22n	10K	15K	120K	120K	PMS	2K7	18K	180K	180K	22n	1n5	1n5
KAN								KAN															KAN							
DARIUS 3 WAY								DARIUS 3 WAY															DARIUS 3 WAY							
JC1 NEW	1K5	22K	22K	2K7	47n	6n8	1n5	JC1 NEW															JC1 NEW	2K7	18K	180K	180K	22n	1n5	1n5

ISSUE CODE-PROVISIONAL ABC ETC/PRODUCTION 123 ETC

ISSUE A 10/11/86 FIRST CAD ISSUE

GENERAL INFORMATION
DO NOT SCALE/DIMENSIONS IN MM
TOLERANCES +/- ANGLES +/-
GENERAL DRAFT
UNSPECIFIED RADII
GEOMETRIC TOLERANCES TO BS 308
REMOVE ALL BURR AND SHARP EDGES

MATERIAL

FINISH

DRAWN

S ALLWOOD

DATE

CHECKED

SCALE

TITLE

ELECTRONIC FILTER BOARD CIRCUIT DIAGRAM

PRECISION AUDIO EQUIPMENT

12 HOCHDRE INDUSTRIAL ESTATE - NEWTON - POMYS SY18 4LE - U.K.
TEL. (0886) 825288 FAX (0886) 825241



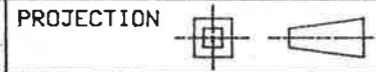
DRAWING NO.

30130990

SHEET 1 OF 1
ISSUE 4

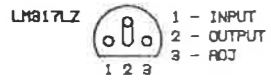
A B C D E F G H I J K L M N O P Q R S

DRAWING NO.
3012 1090

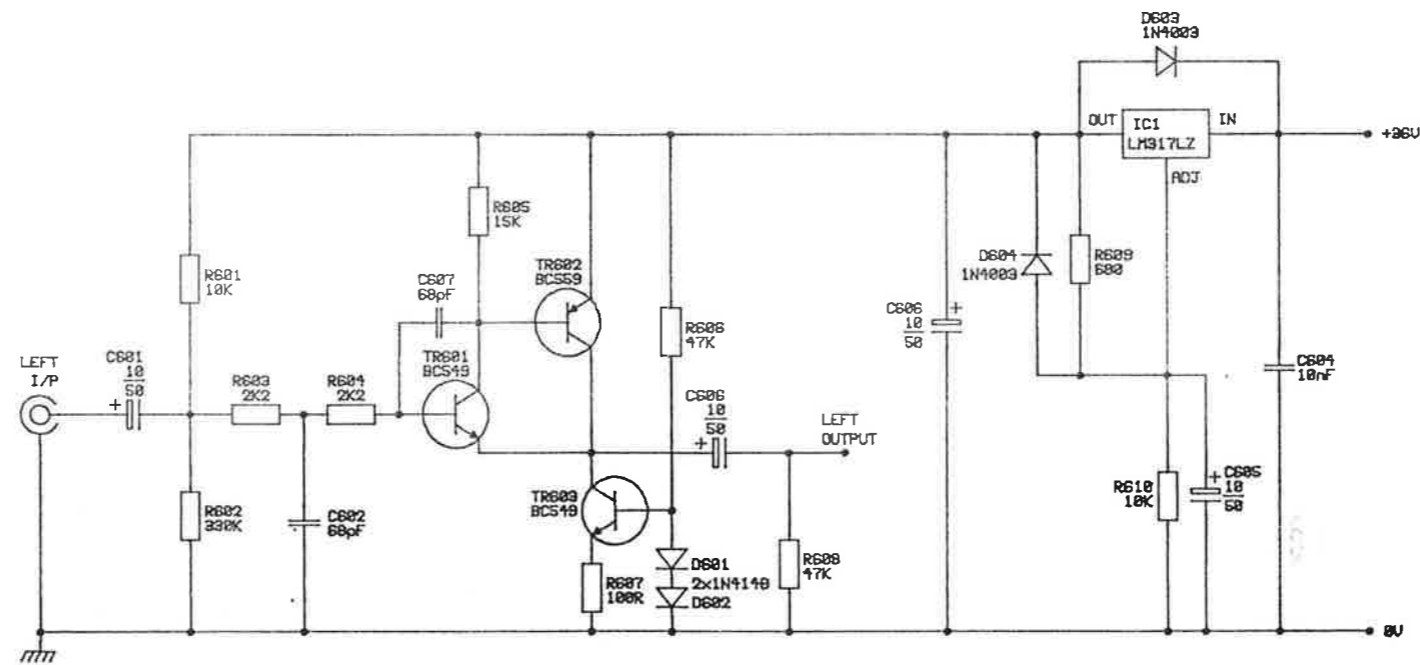


ALL RESISTORS ARE 0.25W 5% METAL FILM UNLESS STATED OTHERWISE
NOTE. ONLY LEFT CHANNEL SHOWN. RIGHT CHANNEL HAS AN (A) SUFFIX ON CIRCUIT REFERENCE NUMBERS.

TRANSISTOR PIN OUTS
VIEW FROM BELOW



PCB NO.	ISSUE
P1076	2



ISSUE CODE-PROVISIONAL ABC ETC/PRODUCTION 123 ETC

ISSUE A 28/18/88 FIRST CAD ISSUE

GENERAL INFORMATION
DO NOT SCALE/DIMENSIONS IN MM
TOLERANCES +/- ANGLES +/-
GENERAL DRAFT
UNSPECIFIED RADII
GEOMETRIC TOLERANCES TO BS 308
REMOVE ALL BURR AND SHARP EDGES

MATERIAL

DRAWN

DATE

CHECKED

SCALE

FINISH

TITLE

CD, VIDEO & AUX. INPUT CARD CIRCUIT DIAGRAM

PRECISION AUDIO EQUIPMENT

42 HOCHDRE INDUSTRIAL ESTATE - NEWTON - POLYS SY16 4LE - U.K.
TEL. (0800) 825288 FAX (0800) 825241



DRAWING NO.

3012 1090

SHEET

1 OF 1

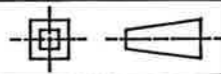
ISSUE

A

A B C D E F G H I J K L M N O P Q R S

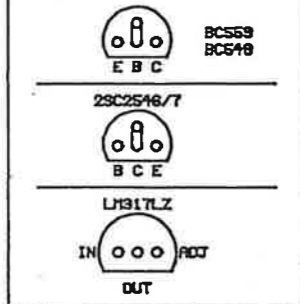
DRAWING NO.
3010 0890

PROJECTION

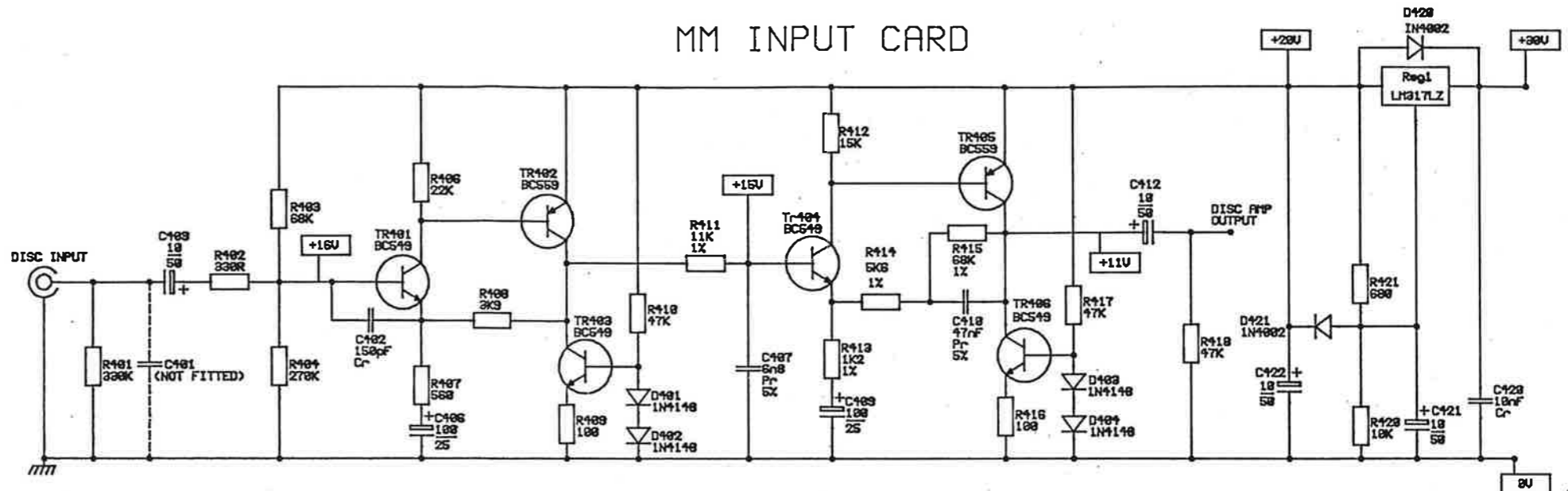


PCB NO.	ISSUE
P1066	5

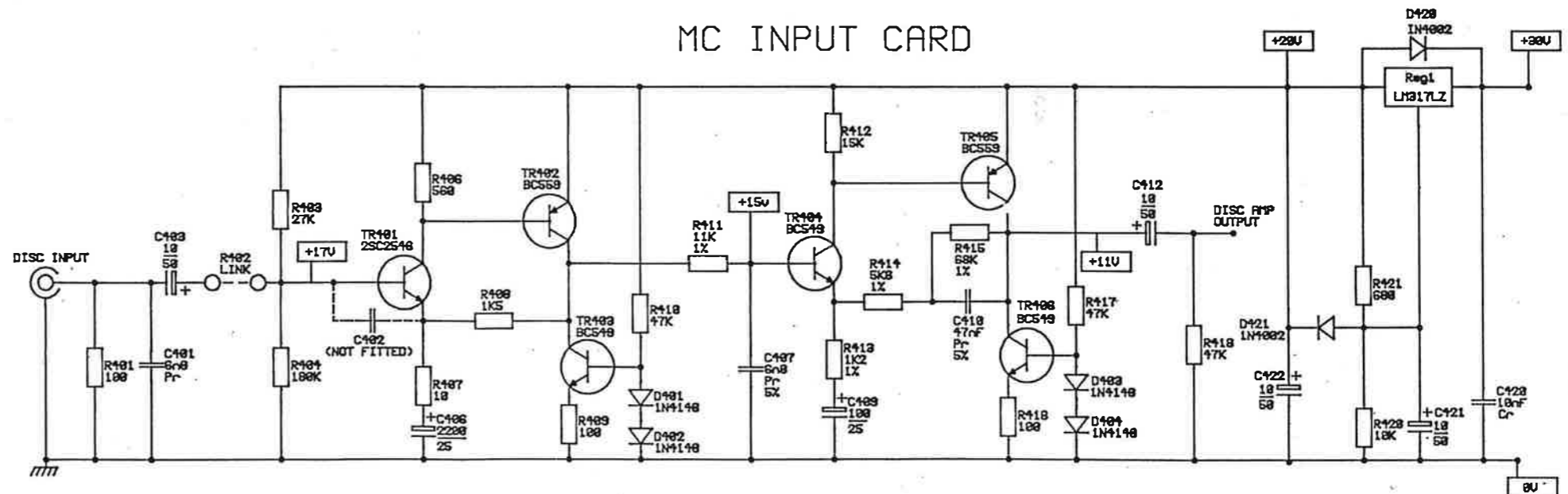
TRANSISTOR PIN OUTS
VIEW FROM UNDERSIDE



MM INPUT CARD



MC INPUT CARD



NOTE. ONLY LEFT CHANNEL SHOWN. RIGHT CHANNEL HAS AN (A) SUFFIX ON CIRCUIT REFERENCE NUMBERS.
ALL RESISTORS ARE 0.25W METAL FILM 5% UNLESS OTHERWISE.

ISSUE CODE-PROVISIONAL ABC ETC/PRODUCTION 123 ETC

ISSUE 5	27/7/90	FIRST CAD ISSUE
ISSUE 1	2/6/90	FIRST CAD RELEASE

GENERAL INFORMATION
DO NOT SCALE/DIMENSIONS IN MM
TOLERANCES +/- ANGLES +/-
GENERAL DRAFT
UNSPECIFIED RADII
GEOMETRIC TOLERANCES TO BS 308
REMOVE ALL BURR AND SHARP EDGES

MATERIAL

DRAWN DATE CHECKED SCALE

S ALLWOOD 27/7/90 R HAY

FINISH

TITLE
STANDARD DISC INPUT CARDS CIRCUIT DIAGRAM

PRECISION AUDIO EQUIPMENT
42 HOCHDRE INDUSTRIAL ESTATE - NEWTON - POLYS SY18 4LE. - U.K.
TEL. (0698) 825268 FAX (0698) 825241



DRAWING NO.
3010 0890

SHEET 1 OF 1
ISSUE 1

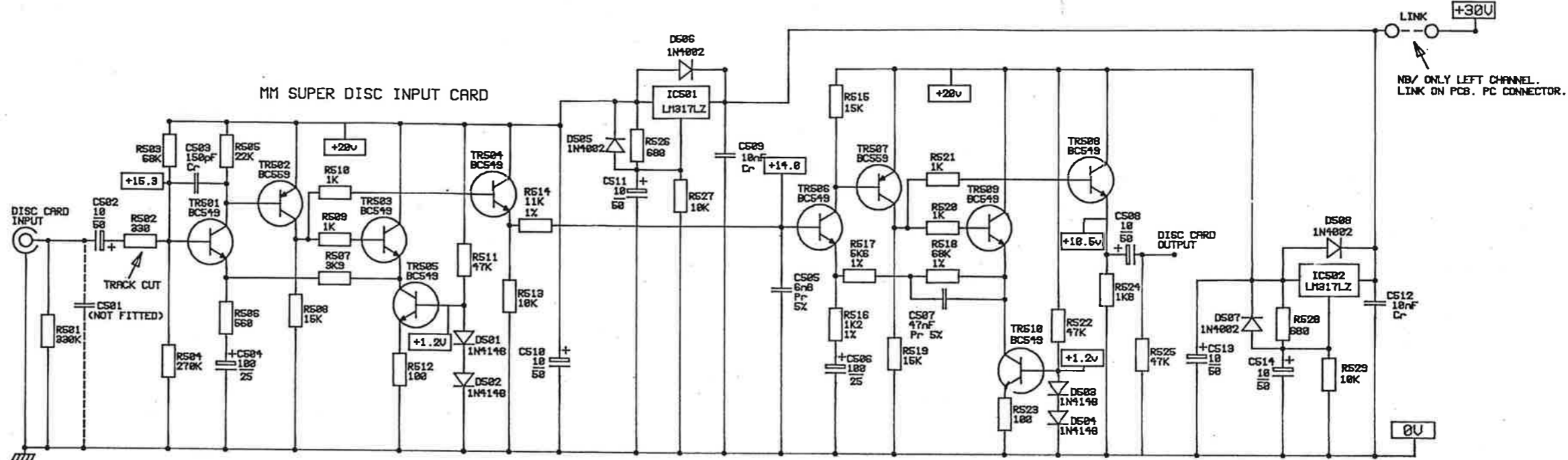
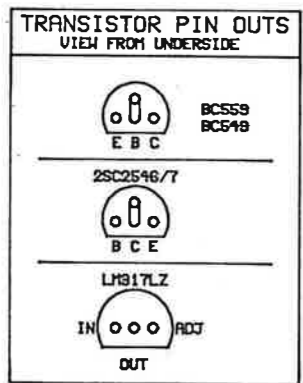
A B C D E F G H I J K L M N O P Q R S

DRAWING NO.
3011 0890

PROJECTION

NOTE LEFT CHANNEL ONLY SHOWN. RIGHT CHANNEL HAS AN (A) SUFFIX ON CIRCUIT REFERENCE NUMBERS.
ALL RESISTORS ARE 0.25W METAL FILM 5% UNLESS STATED OTHERWISE.

PCB NO.	ISSUE
P1072	2

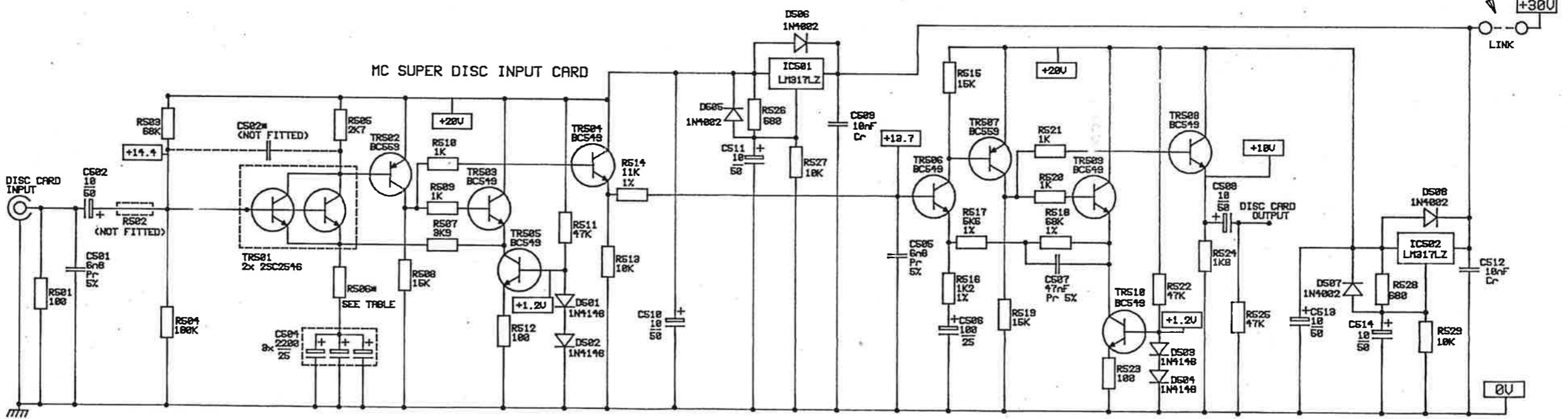


NB/ ONLY LEFT CHANNEL.
LINK ON PCB. PC CONNECTOR.

NB/ ONLY LEFT CHANNEL.
LINK ON PCB. PC CONNECTOR.

SENSITIVITY R506

120uJ (0.12uJ)	18R
250uJ (0.25uJ)	22R
500uJ (0.5uJ)	56R



ISSUE CODE-PROVISIONAL ABC ETC/PRODUCTION 123 ETC

ISSUE A	27/7/90	FIRST CAD ISSUE
ISSUE 1	2/8/90	FIRST CAD RELEASE

GENERAL INFORMATION
DO NOT SCALE/DIMENSIONS IN MM
TOLERANCES +/- ANGLES +/-
GENERAL DRAFT
UNSPECIFIED RADII
GEOMETRIC TOLERANCES TO BS 208
REMOVE ALL BURR AND SHARP EDGES

MATERIAL
FINISH

DRAWN	DATE	CHECKED	SCALE
S ALLWOOD	27/7/90	R HAY	

TITLE
ENHANCED DISC INPUT CARDS CIRCUIT DIAGRAM

PRECISION AUDIO EQUIPMENT
42 MOCHORE INDUSTRIAL ESTATE - NEWTON - POLYS BY18 4LE - U.K.
TEL. (0800) 825288 FAX (0800) 825241



DRAWING NO. 3011 0890 SHEET 1 OF 1 ISSUE 1

A B C D E F G H I J K L M N O P Q R S