

M 12

Speaker Specifications

Power	Pe	300 / 450	RMS/Nom
DC resistance	Rdc	3,2	Ω
Nominal impedance	ZN	4	Ω
Resonance frequency	fs	29,2	HZ
Voice coil diameter		2,0	inch

Mechanical Q factor	Qms	4,32
Electrical Q factor	Qes	0,41
Total Q factor	Qts	0,37

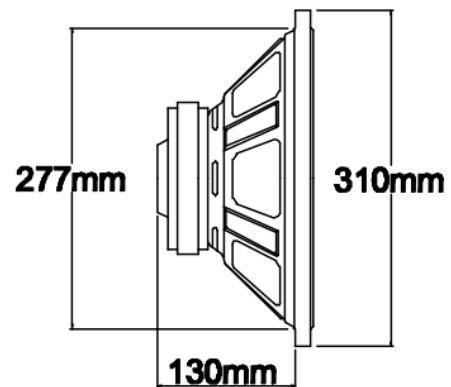
Moving mass	Mms	113,2	g
Effective piston area	Sd	490	cm ²
Mechanical resistance	Rms	4,4	Kg/s
Compliance	Cms	0,31	mm/N
Force factor	BL	12,2	Tm
Equivalent air volume	Vas	112,1	dm ³
SPL 2,83V/1m		92,2	dB

Cone: Paper	Spider: Nomex
Surround: Rubber	Coil former: Aluminium
Basket: Steel	Dust cap: PP

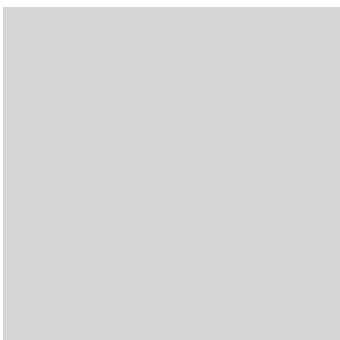


Diameter

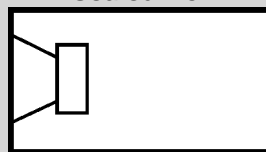
External diameter	310 mm / 12,20 inch
Installation diameter	277 mm / 10,91 inch
Installation depth	130 mm / 5,12 inch
Magnet diameter	147 mm / 5,79 inch



Recommended Boxes (including Ports and Drivers)

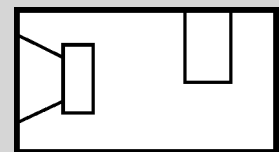


Sealed Box



V: **32 l**

Vented Box



V: **48 l**

d: 100 mm / 3,94 inch
l: 200 mm / 7,87 inch