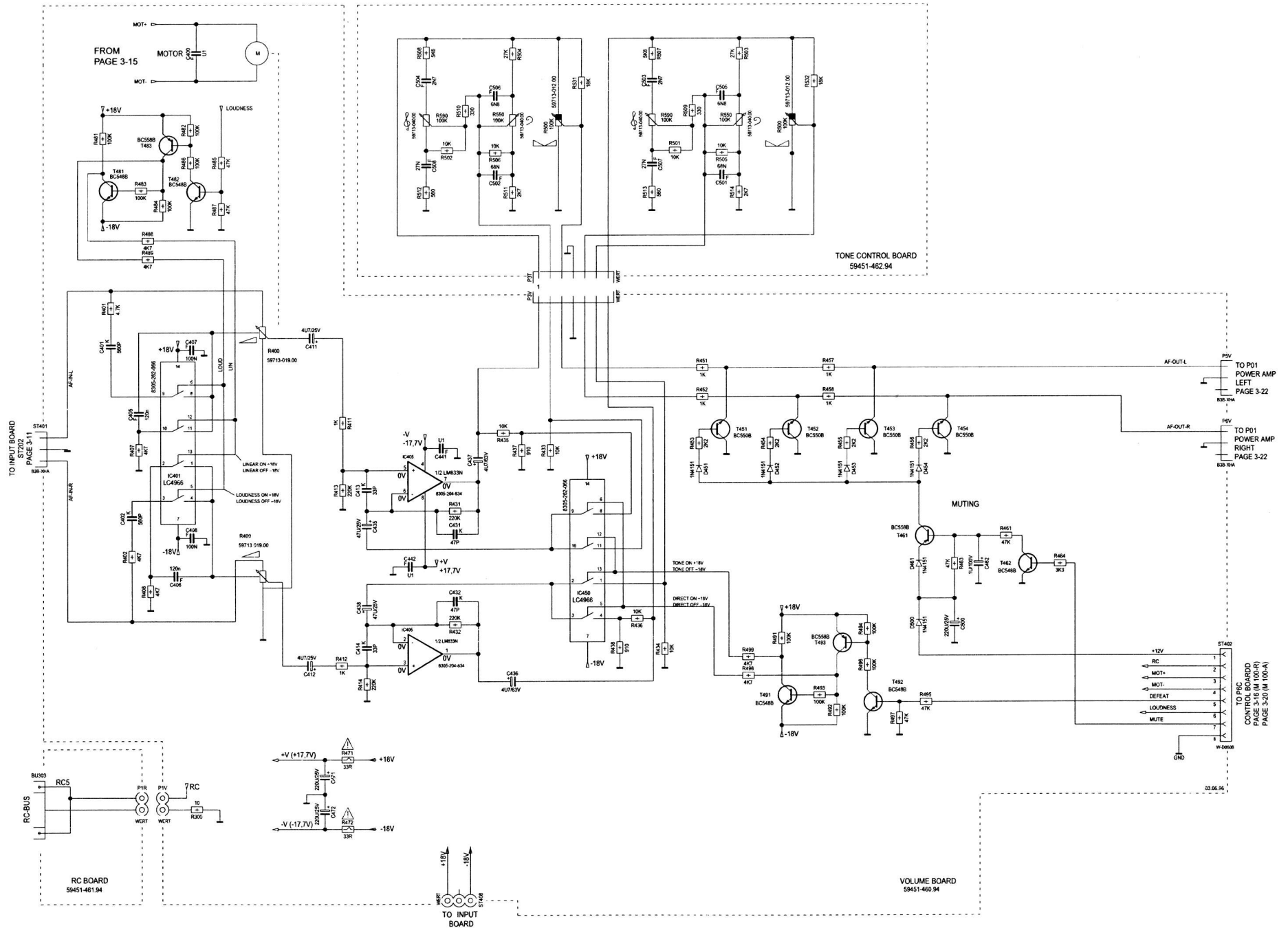
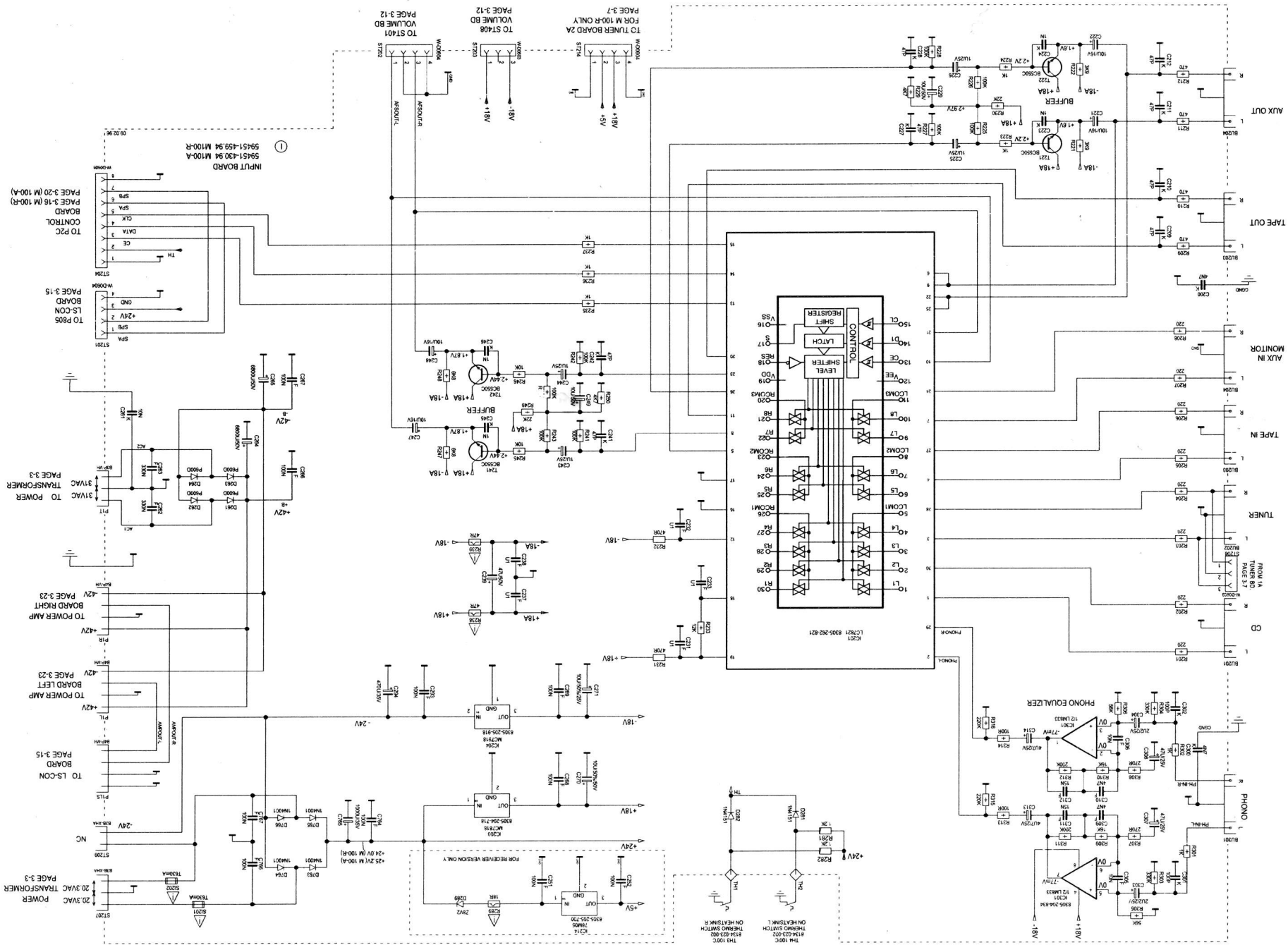


Lautstärkereglerplatte, Klangreglerplatte, RC-Platte / Volume Control Board, Tone Control Board, RC-Board



Eingangsplatte / Input Board



①
59451-430 94 M100-A
59451-439 94 M100-R

TO P2C CONTROL BOARD PAGE 3-20 (M 100-R)
TO P805 LS-CON BOARD PAGE 3-15

TO P805 LS-CON BOARD PAGE 3-15

TO P805 LS-CON BOARD PAGE 3-15

TO P805 LS-CON BOARD PAGE 3-15

TO P805 LS-CON BOARD PAGE 3-15

TO P805 LS-CON BOARD PAGE 3-15

TO P805 LS-CON BOARD PAGE 3-15

TO P805 LS-CON BOARD PAGE 3-15

TO P805 LS-CON BOARD PAGE 3-15

TO P805 LS-CON BOARD PAGE 3-15