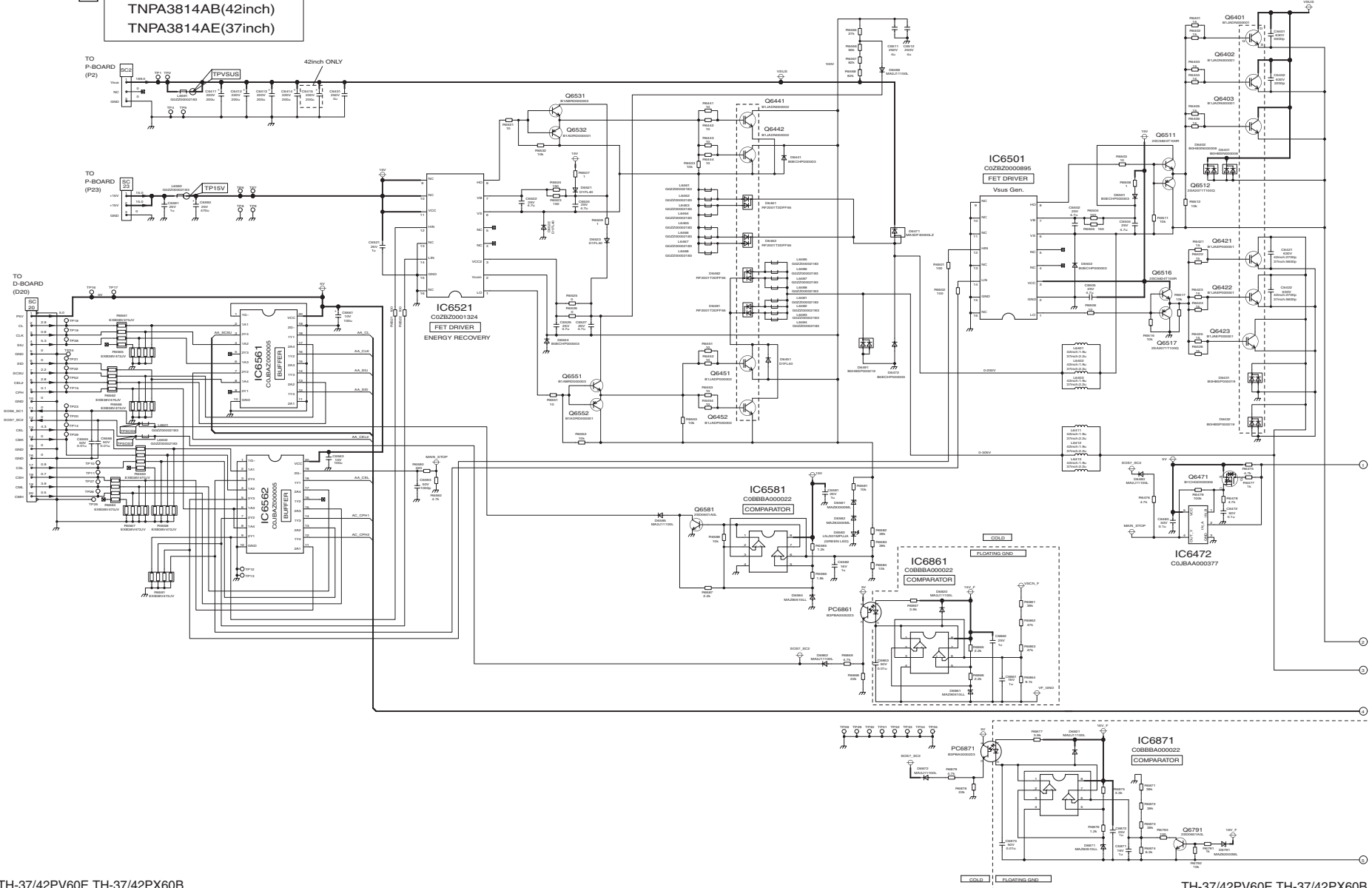


### 14.64. SC-Board (1 of 2) Schematic Diagram

A  
B  
C  
D  
E  
F

SC-BOARD (1/2)  
TNPA3814AB(42inch)  
TNPA3814AE(37inch)



TH-37/42PV60E, TH-37/42PX60B  
SC-Board (1 of 2) Schematic Diagram

TH-37/42PV60E, TH-37/42PX60B  
SC-Board (1 of 2) Schematic Diagram

1 2 3 4 5 6 7 8 9