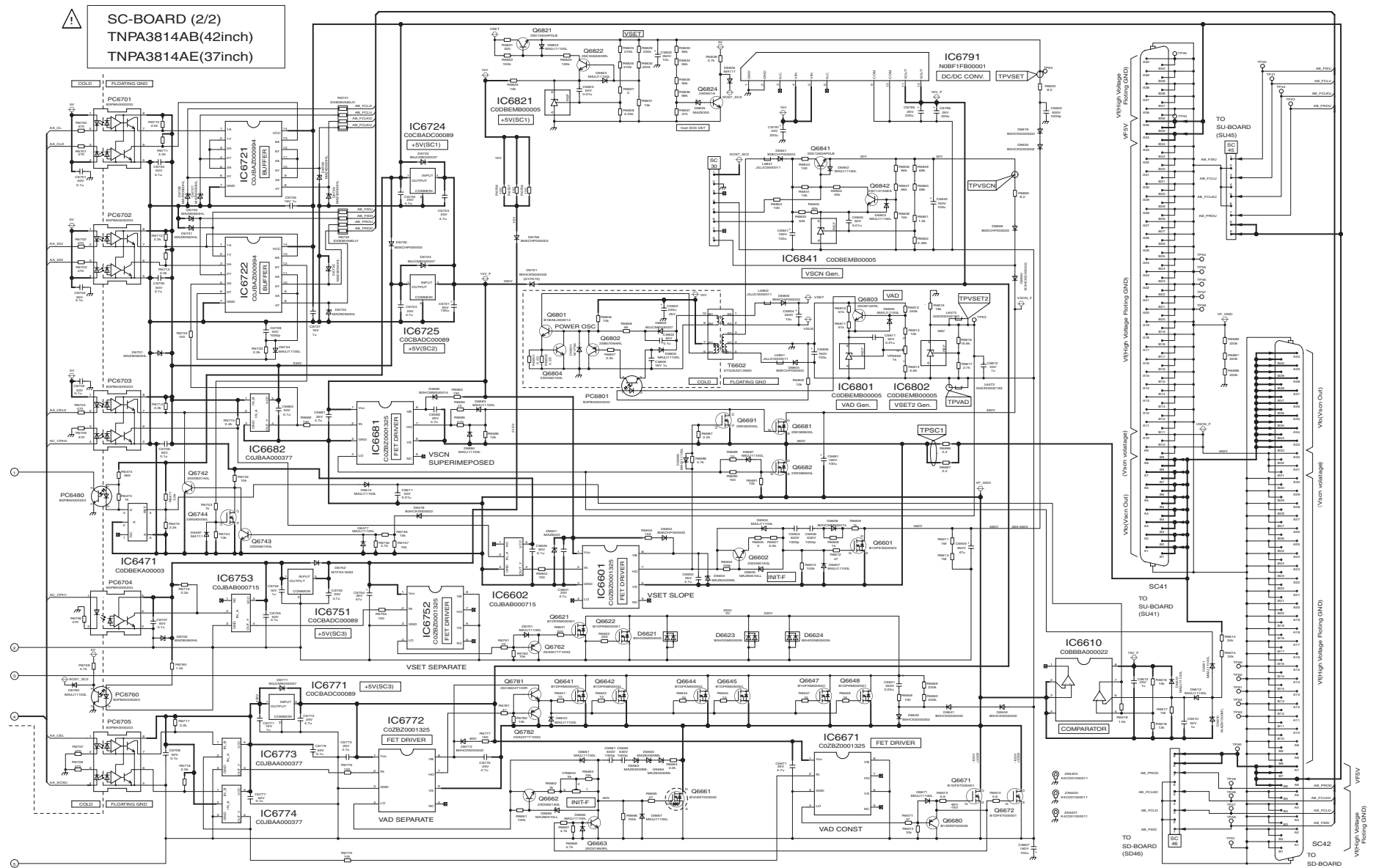


14.65. SC-Board (2 of 2) Schematic Diagram



TH-37/42PV60E, TH-37/42PX60B
SC-Board (2 of 2) Schematic Diagram

TH-37/42PV60E, TH-37/42PX60B
SC-Board (2 of 2) Schematic Diagram

10

11

12

13

14

15

16

17

18