

Maestro FZ-1S Super Fuzz-Tone Clone Project

Version 2005December10

Copyright 2005 JD Sleep

Permission refused for posting/serving this file from any site other than www.generalguitargadgets.com

Bill of Materials

Resistors (1/4 watt rating)

1 - 470
1 - 680
1 - 1.5k
1 - 10k
1 - 15k
2 - 33k
2 - 47k
1 - 68k
3 - 100k
1 - 150k
2 - 220k
2 - 470k
2 - 1M
1 - 1.5M

Pots (1/4 watt or higher rating)

1 - 30k linear dual gang (or 50k linear dual gang) (Balance)
1 - 100k linear (Sustain)
1 - 100k log (audio) (Volume)

Transistors

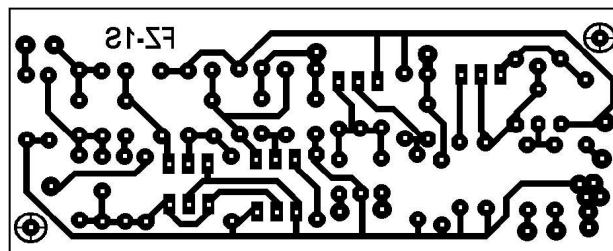
4 - 2N5088 or BC109C
2 - 2N5133

Capacitors (minimum 16 volt rating)

2 - 680pF Ceramic or Film
1 - 0.0056uF Ceramic or Film
1 - 0.01uF Ceramic or Film
2 - 0.02uF (or 0.022uF) Ceramic or Film
2 - 0.05uF (or 0.047uF) Ceramic or Film
1 - 0.1uF Ceramic or Film
1 - 0.22uF Film
1 - 1uF Film or Aluminum Electrolytic

Other

1 - 3PDT or DPDT heavy duty foot switch (bypass)
1-LED and 1k resistor (for optional LED indicator)
1 - mono quarter inch jack
1 - stereo quarter inch jack
9v battery snaps & holder and/or DC jack, knobs, Copper-clad board, etchant, or perfboard
24 gauge stranded wire
Enclosure



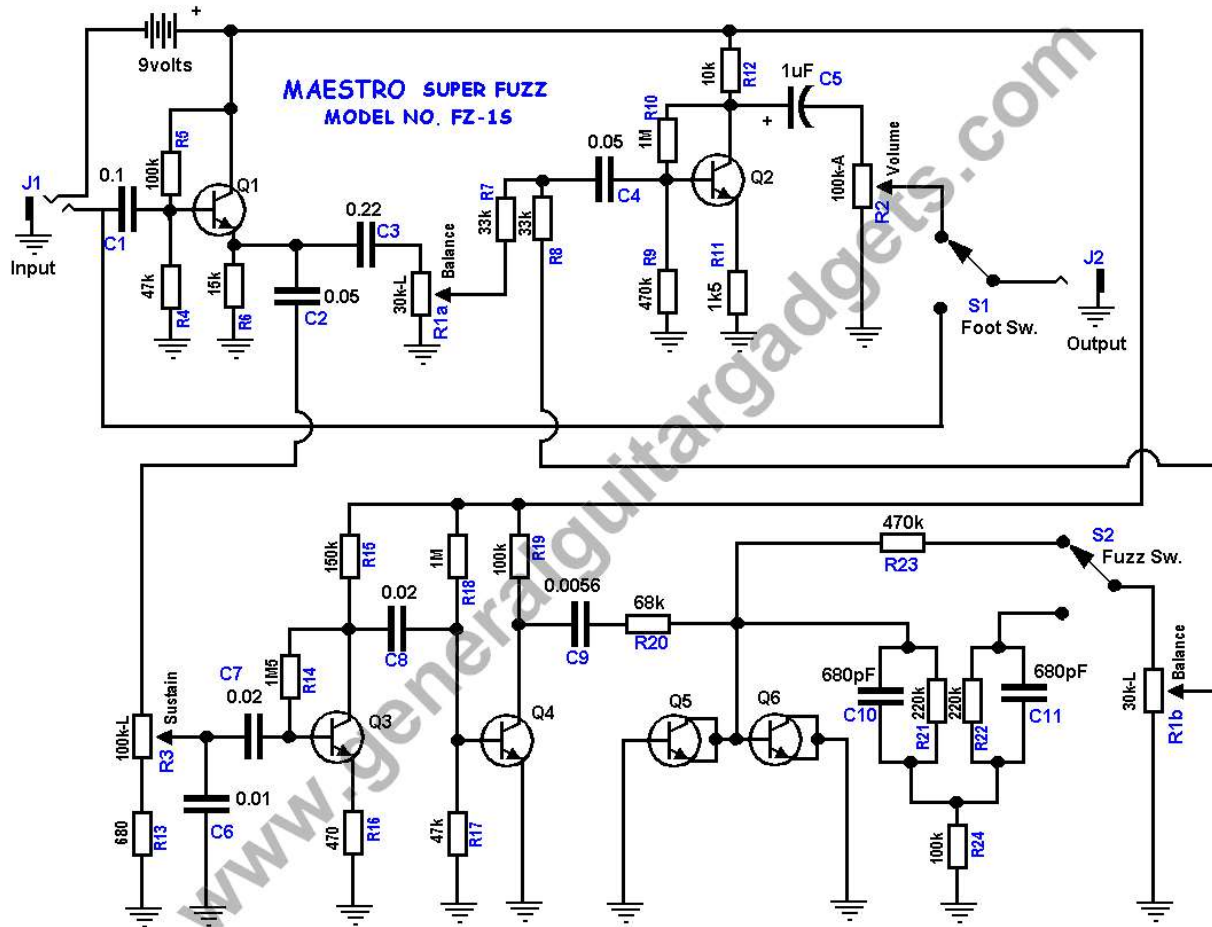
Size 8cm x 3.3cm

Maestro FZ-1S Super Fuzz-Tone Clone Project

Version 2005December10

Copyright 2005 JD Sleep

Permission refused for posting/serving this file from any site other than www.generalguitargadgets.com



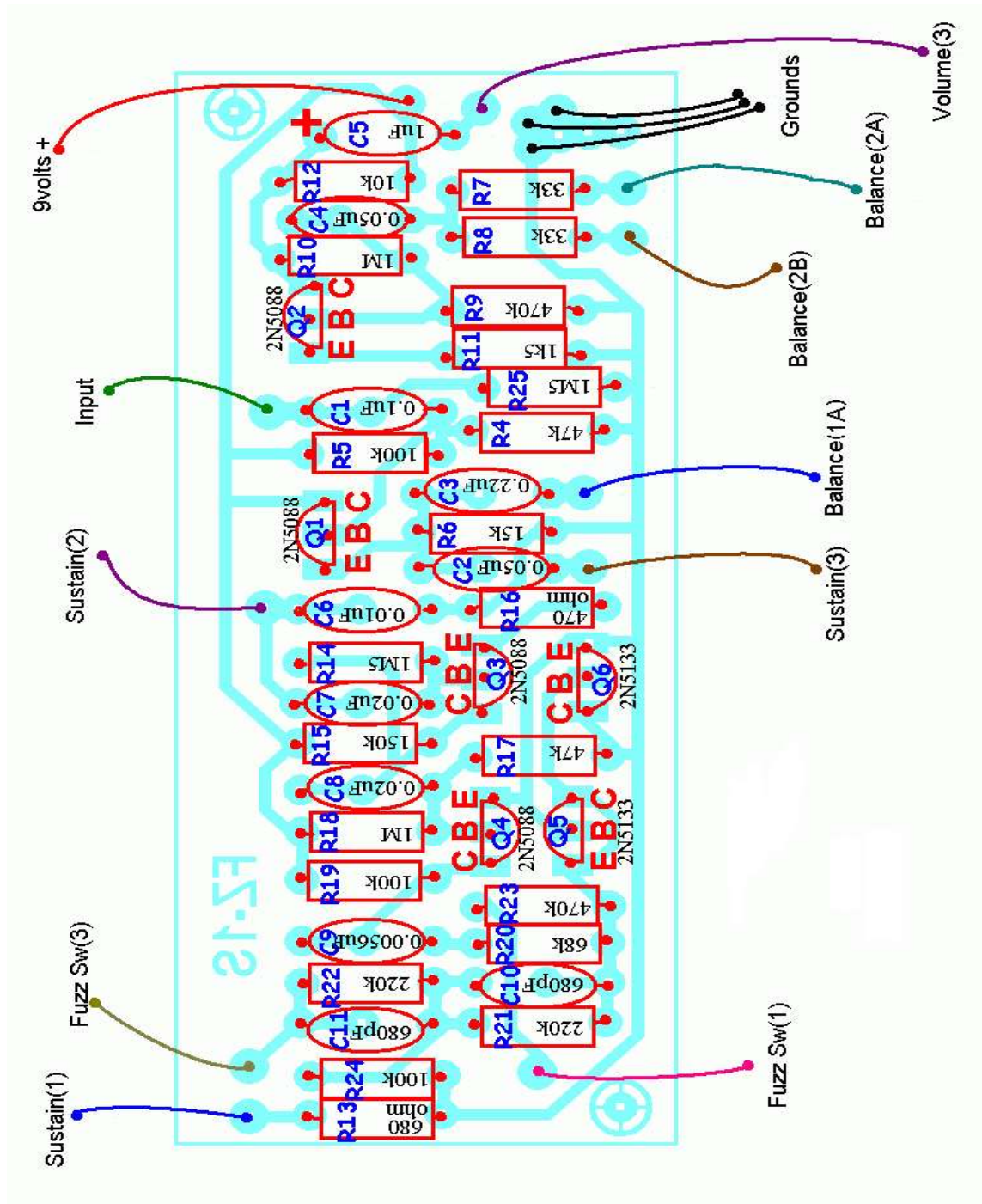
Q1 - Q4 are 2N5088 or BC109C Q5 & Q6 are 2N5133 or 8393 Balance control is a dual-gang pot

Maestro FZ-1S Super Fuzz-Tone Clone Project

Version 2005December10

Copyright 2005 JD Sleep

Permission refused for posting/serving this file from any site other than www.generalguitargadgets.com



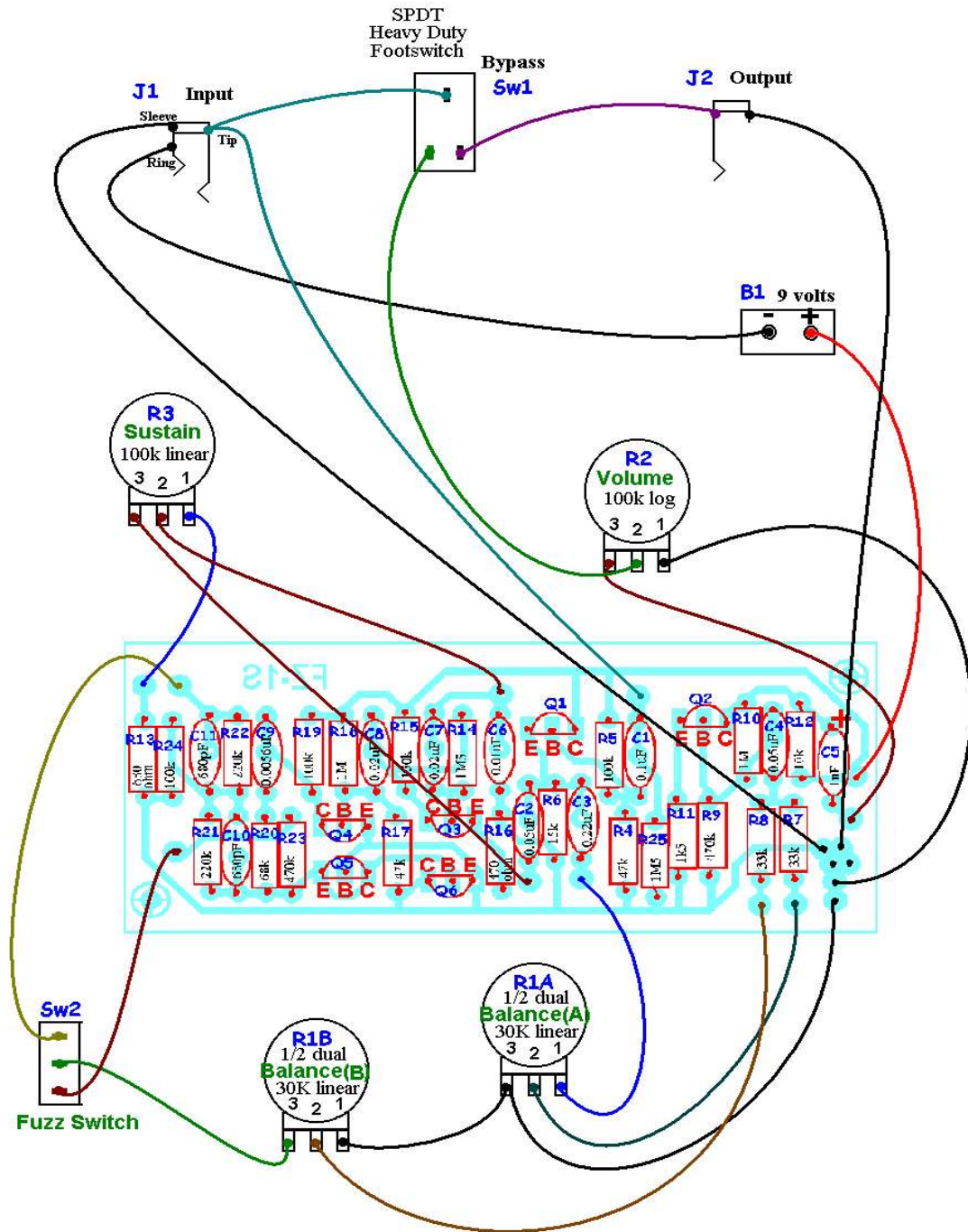
Parts Placement Diagram

Maestro FZ-1S Super Fuzz-Tone Clone Project

Version 2005December10

Copyright 2005 JD Sleep

Permission refused for posting/serving this file from any site other than www.generalguitargadgets.com



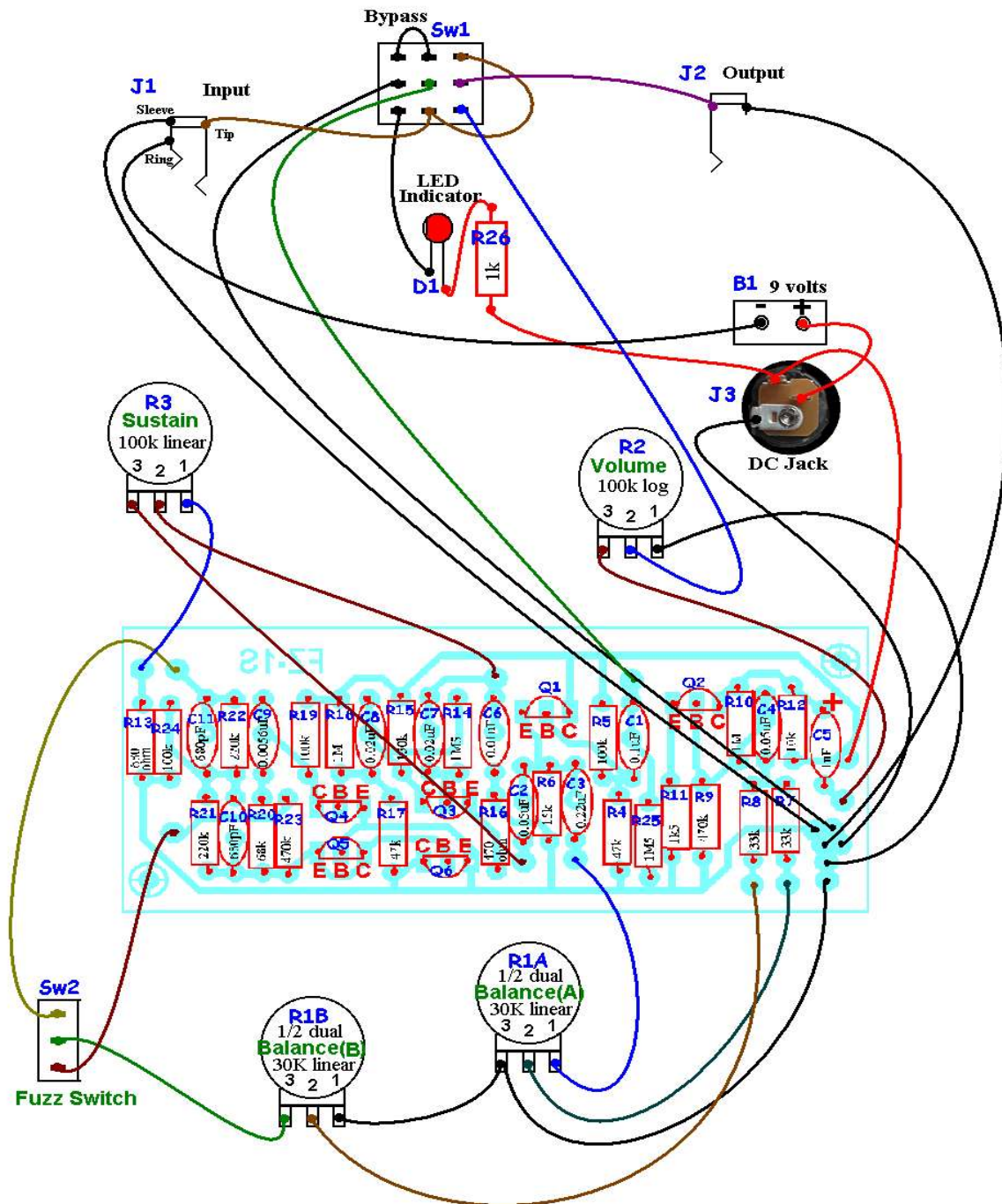
Original Wiring

Maestro FZ-1S Super Fuzz-Tone Clone Project

Version 2005December10

Copyright 2005 JD Sleep

Permission refused for posting/serving this file from any site other than www.generalguitargadgets.com



Modern Wiring (true bypass, with LED indicator)