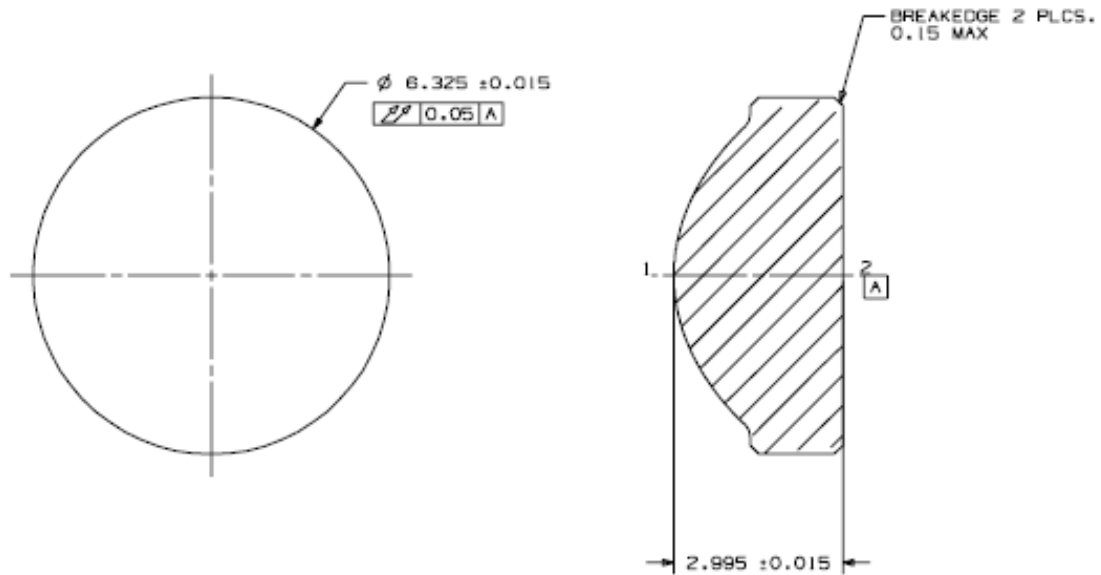


40nm GLASS COLLIMATOR LENS # 405-G-1



OPTICAL DESIGN SPECIFICATIONS

Focal Length (f):	4.02mm
Numerical Aperture:	0.60
Back Focal Length:	2.39mm
Clear Aperture	S1 4.85mm S2 3.43mm
RMS Wavefront Error	≤ 0.05 waves @ 632.8nm
Surface Quality:	60-40
Design Wavelength (λ):	408nm
Cover Glass Thickness:	0.25mm (Borosilicate)
Center Thickness	2.995mm
Weight:	$\approx 274\text{mg}$
RoHS Compliant:	YES
Standard Coating:*	MgF ₂ > 95% Transmission (400-600nm)

*Other coating options available upon request