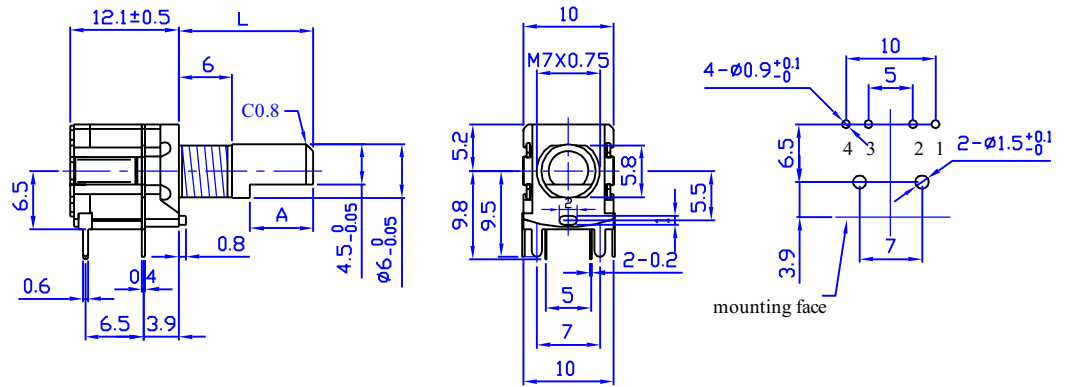
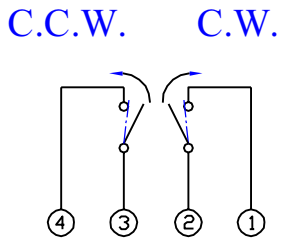


PS1010



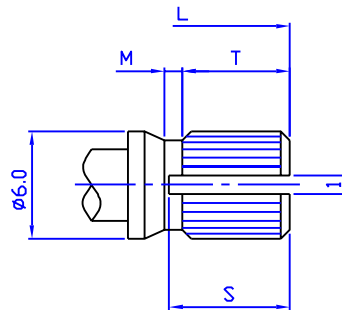
PS1010 Explanation 电路图



C.W: 1,2 ON during changeover only
C.C.W: 3,4ON during changeover only

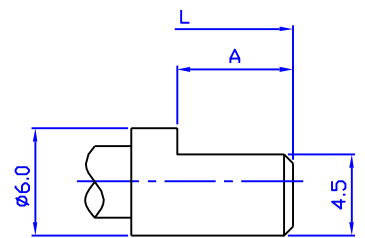
RS1010、PS1010 shaft style 轴的类型

KQ TYPE (18T)



L	15	20	25
T	6	10	12
M	1	2	4
S	7	11	14

FB TYPE



L	15	20	25
A	7	12	12

电位器规格书

SPECIFICATIONS

适用型号 : PS1010 脉冲开关系列

APPLICABLE MODELS: PS1010 Pulse switches Series

一 构造 CONSTRUCTION

形状, 寸法, 依照图面规定

外观: 各部应良好无锈蚀、裂痕、电镀不良现象

APPEARANCE: EVRY PART SHOULD BE FINISHED NOT TO EXIST RUST

FLAW CRACK AND PLATING

最大定格 (抵抗负荷):

Rating(max.)(Resistive load)

0.1A 16V DC

接触抵抗 (初期/寿命后):

Contact resistance(Initial performance/Aft lifetime)

初期: 50mΩ max.
寿命后: 150mΩ max

回转力矩:

Rotational torque

80~300gf.cm

切换角度:

Changeover angle

18 3

定位数:

Number of positions

20 (ENDLESS)

轴押引强度:

Push-pull strength

10Kgf.cm

支架押引强度:

Bracket push-pull strength

3Kgf.cm

动作寿命:

Operating life

无负荷

Without load

30,000 cycles

负荷

With load

10,000 cycles (0.1A 16V DC)

东莞市长泰尔电子有限公司

DONG GUAN CHANG TAI ER ELECTRONICS CO.,LTD

制作
Approved

审核
Examine

核准
Approve