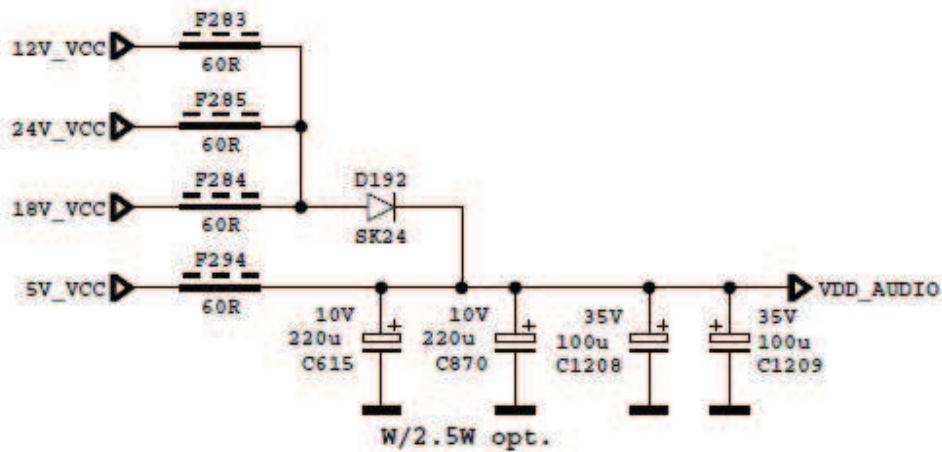


25.7. No Sound Problem

Problem: No audio at main TV speaker outputs.

Check supply voltages of VDD_AUDIO, 5V_VCC and 3V3_VCC with a voltage-meter. There may be a problem in headphone connector or headphone detect circuit (when headphone is connected, speakers are automatically muted). Measure voltage at HP_DETECT pin, it should be 3.3v.



25.8. No Sound Problem at Headphone

Problem: No audio at headphone output.

Check HP detect pin, when headphone is. Check 5V_VCC and 3V3_VCC with a voltage-meter.

