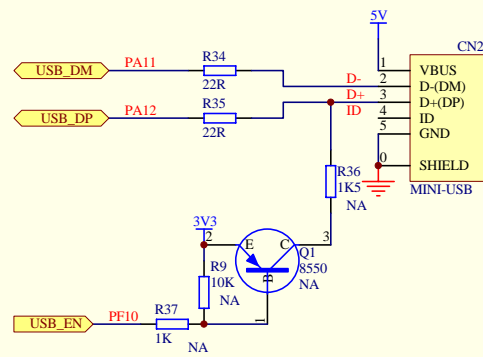
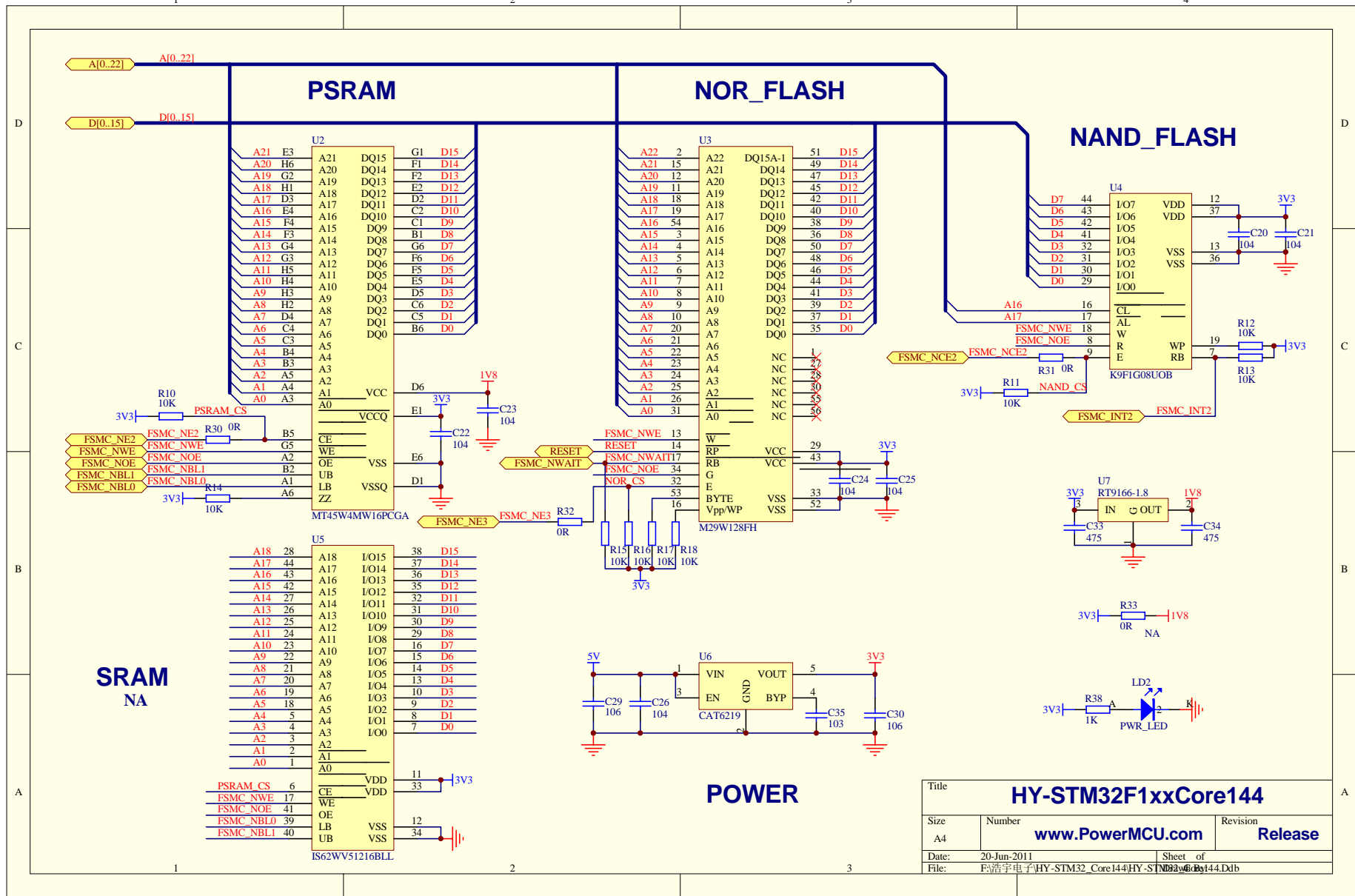


JTAG



USB

Title			HY-STM32F1xxCore144		
Size	Number	Revision			
A4	www.PowerMCU.com	Release			
Date:	20-Jun-2011	Sheet of			
File:	F:\浩宇电子\HY-STM32_Core144\HY-STM32F144.Ddb	144			



Title			HY-STM32F1xxCore144		
Size	Number	www.PowerMCU.com		Revision	Release
A4					
Date:	20-Jun-2011		Sheet of		
File:	F:\浩宇电子\HY-STM32_Core144\HY-STM32F1xxCore144.Ddb		1 of 1		