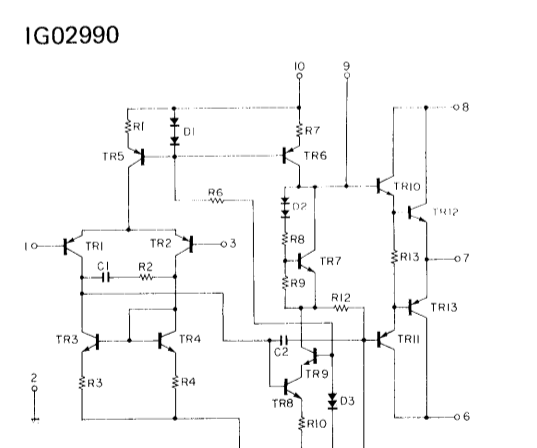
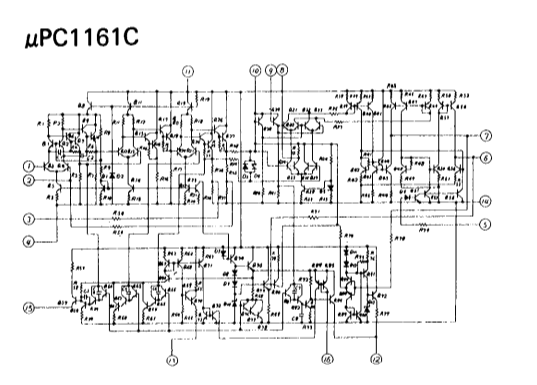
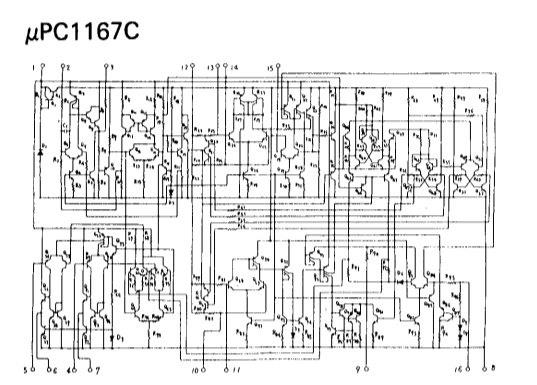
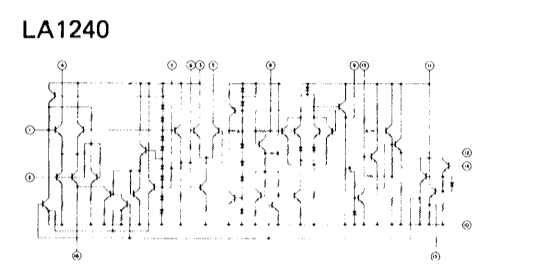
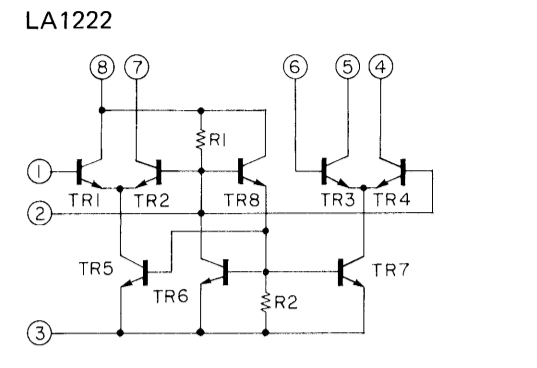
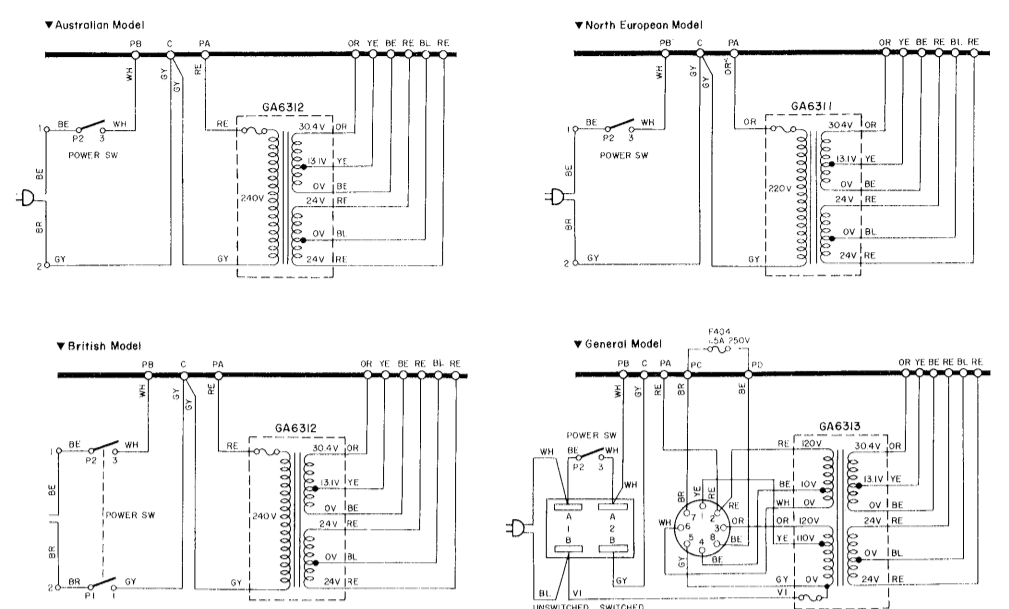
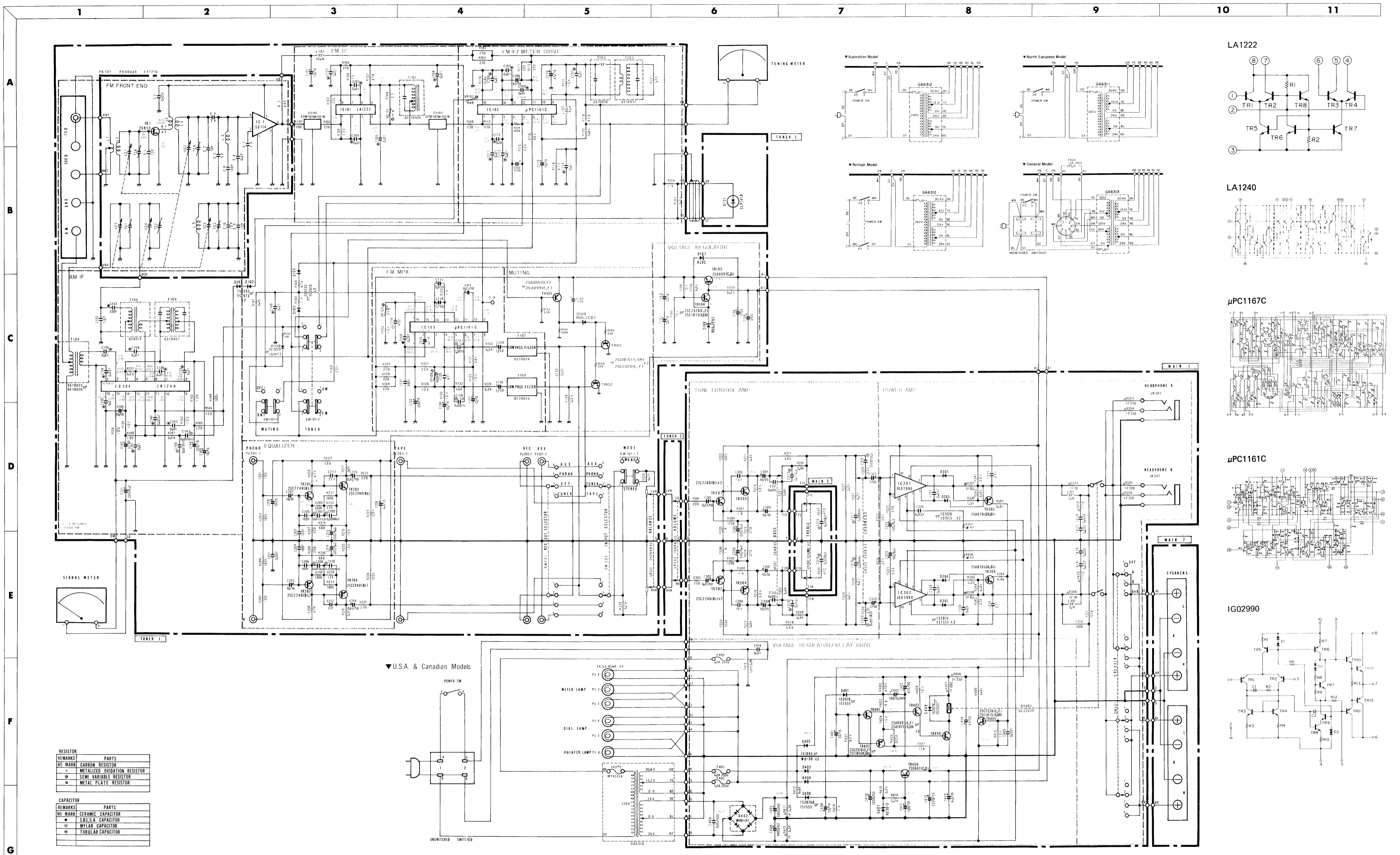


SCHEMATIC DIAGRAM



RESISTOR	
REMARKS	PARTS
NO. MARK	CARBON RESISTOR
⊖	METALIZED OXIDATION RESISTOR
⊕	SEMI-VARIABLE RESISTOR
⊗	METAL PLATE RESISTOR

CAPACITOR	
REMARKS	PARTS
NO. MARK	CERAMIC CAPACITOR
⊖	SILICA CAPACITOR
⊕	MYLAR CAPACITOR
⊗	TUBULAR CAPACITOR

