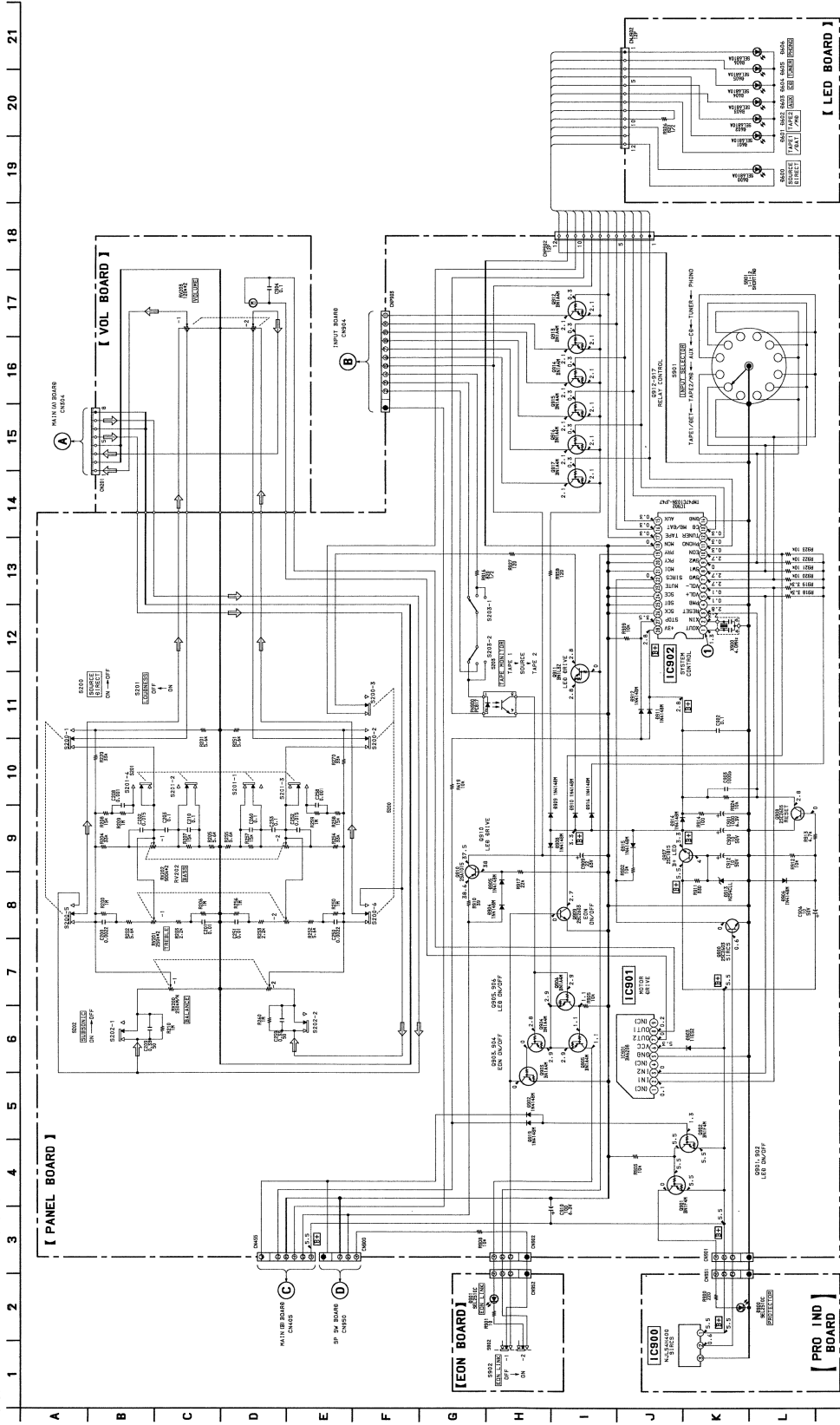
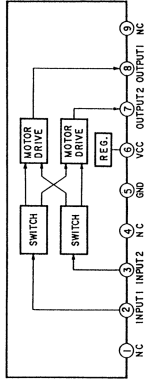


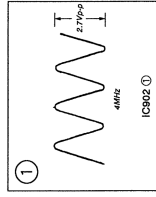
4-5. SCHEMATIC DIAGRAM - PANEL SECTION -



• IC BLOCK DIAGRAM - PANEL SECTION -
IC901 BA6208



• WAVEFORM



Note :

- All capacitors are in μ F unless otherwise noted. μ F, μ or 50WV or less are not indicated except for electrolytics and tantalums.
- All resistors are in Ω and $k\Omega$ or less unless otherwise specified.
- [B]: B-Line
- Waveforms are taken with respect to ground under no-signal conditions.
- Voltage variations may be noted due to normal production tolerances.
- Waveforms are taken with an oscilloscope.
- Voltage variations may be noted due to normal production tolerances.
- Circuit numbers refer to waveforms.
- : Check path.