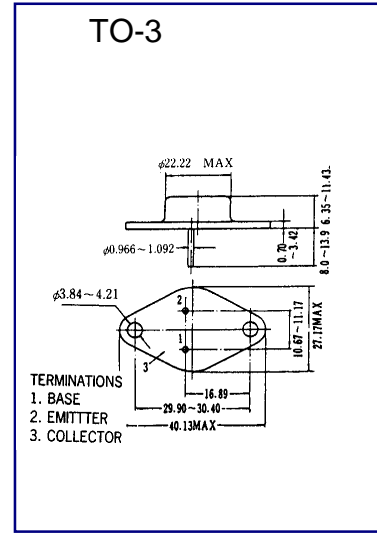




BU526A

NPN SILICON TRANSISTOR

**SWITCHING REGULATORS PWM INVERTERS
SOLENOID AND RELAY DRIVERS**



ABSOLUTE MAXIMUM RATINGS ($T_a=25^\circ\text{C}$)

Characteristic	Symbol	Rating	Unit
Collector-Base Voltage	VCBO	400	V
Collector-Emitter Voltage	VCEO	400	V
Collector Current (DC)	IC	8	A
Collector Dissipation ($T_c=25^\circ\text{C}$)	PC	86	W
Junction Temperature	T_j	150	$^\circ\text{C}$
Storage Temperature	T_{stg}	-50~150	$^\circ\text{C}$

ELECTRICAL CHARACTERISTICS ($T_a=25^\circ\text{C}$)

Characteristic	Symbol	Test Condition	Min	Typ	Max	Unit
Collector Cutoff Current	ICBO	VCB= 400V , IE=0			10	μA
Collector Cutoff Current	ICEO	VCB=400V , IB=0			10	μA
DC Current Gain	hFE	VCE=5V , IC=1A	15		25	
Collector- Emitter Saturation Voltage	VCE(sat)	IC=3A , IB=0.3A			2.5	V

This datasheet has been download from:

www.datasheetcatalog.com

Datasheets for electronics components.