

**SAN-KEY**

CHANNEL L



CHANNEL R



**Stereo Amplifier**  
**MODEL: PA-940**

PROTECTION



PHONE



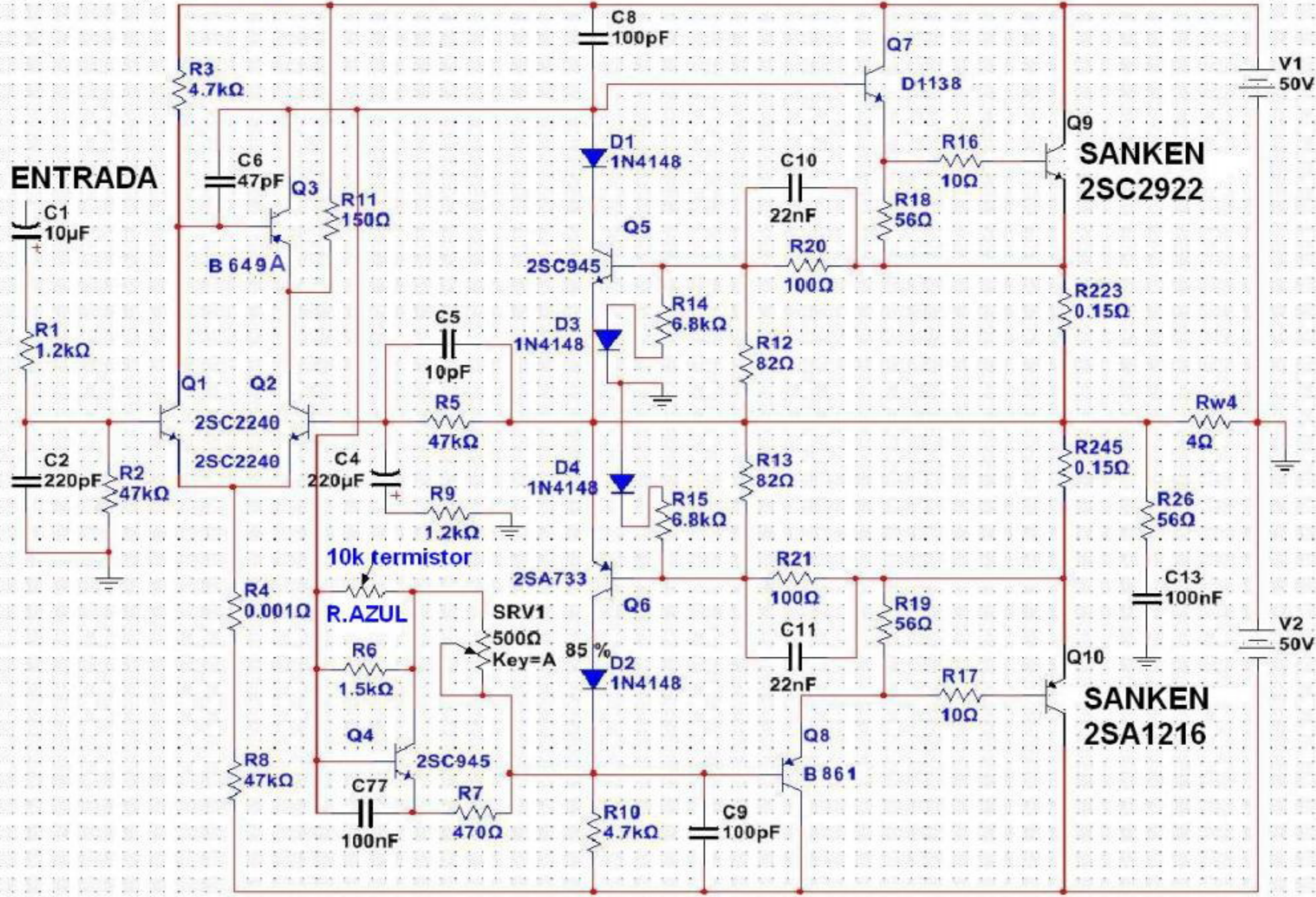
POWER

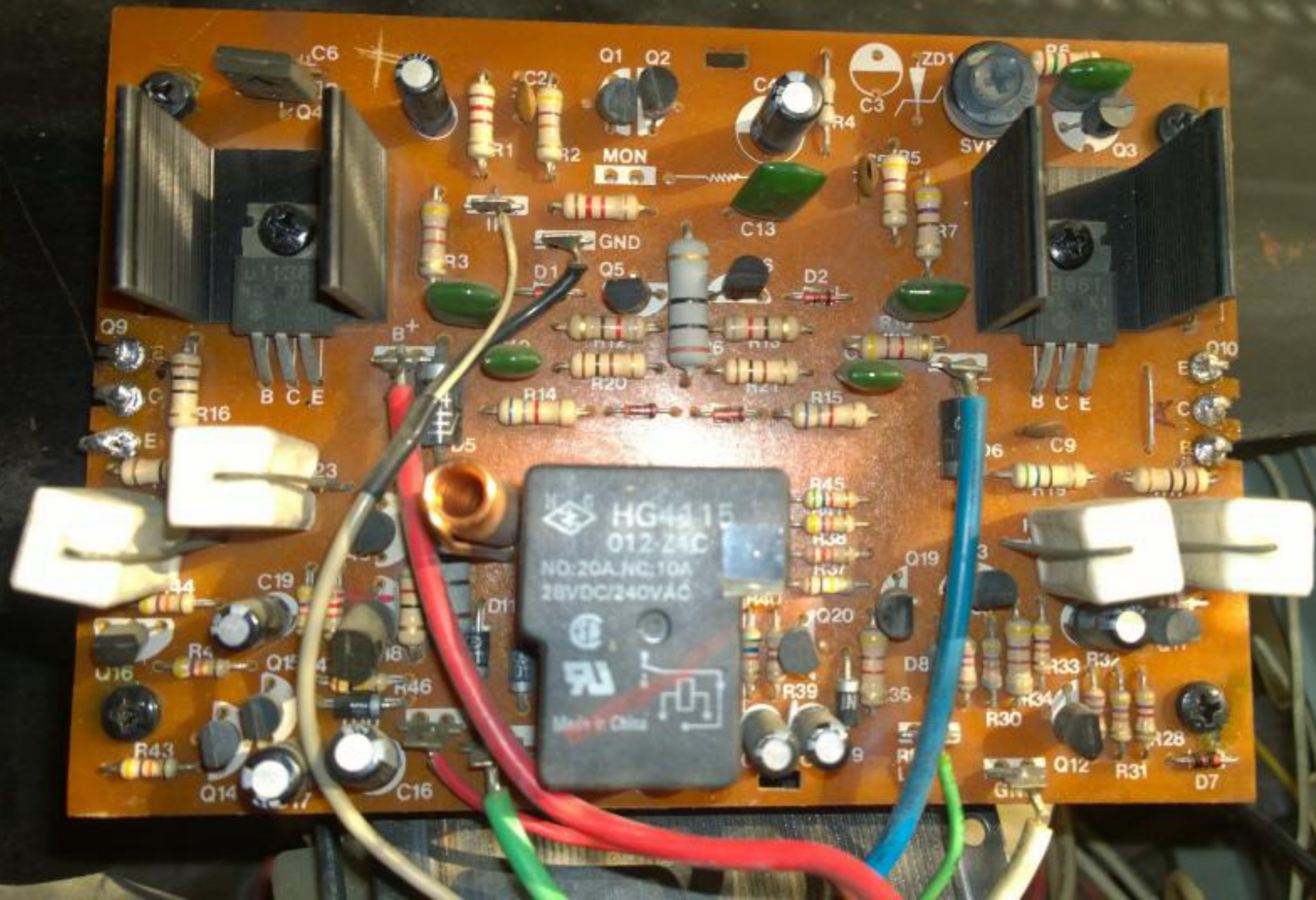


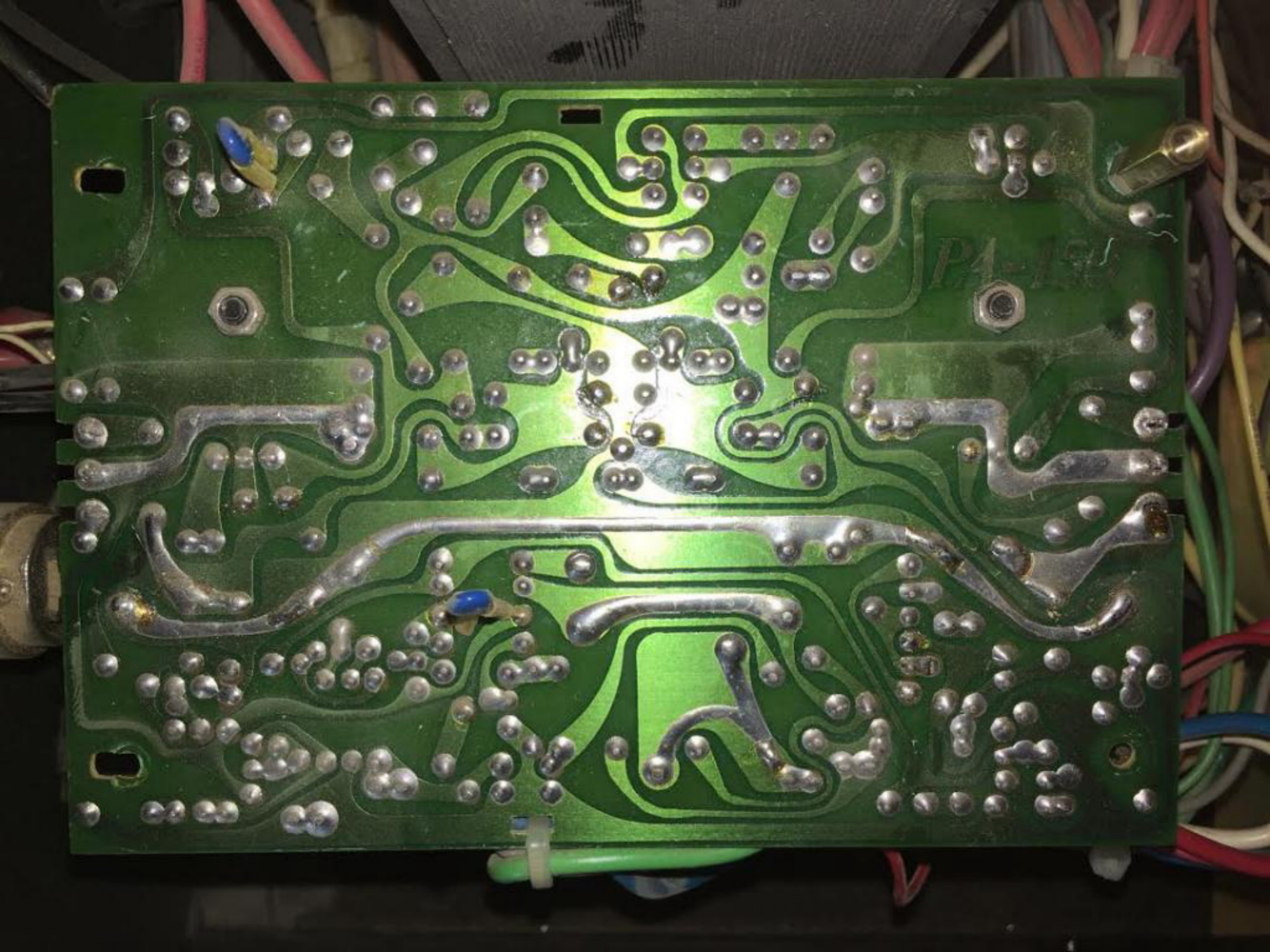
RESET

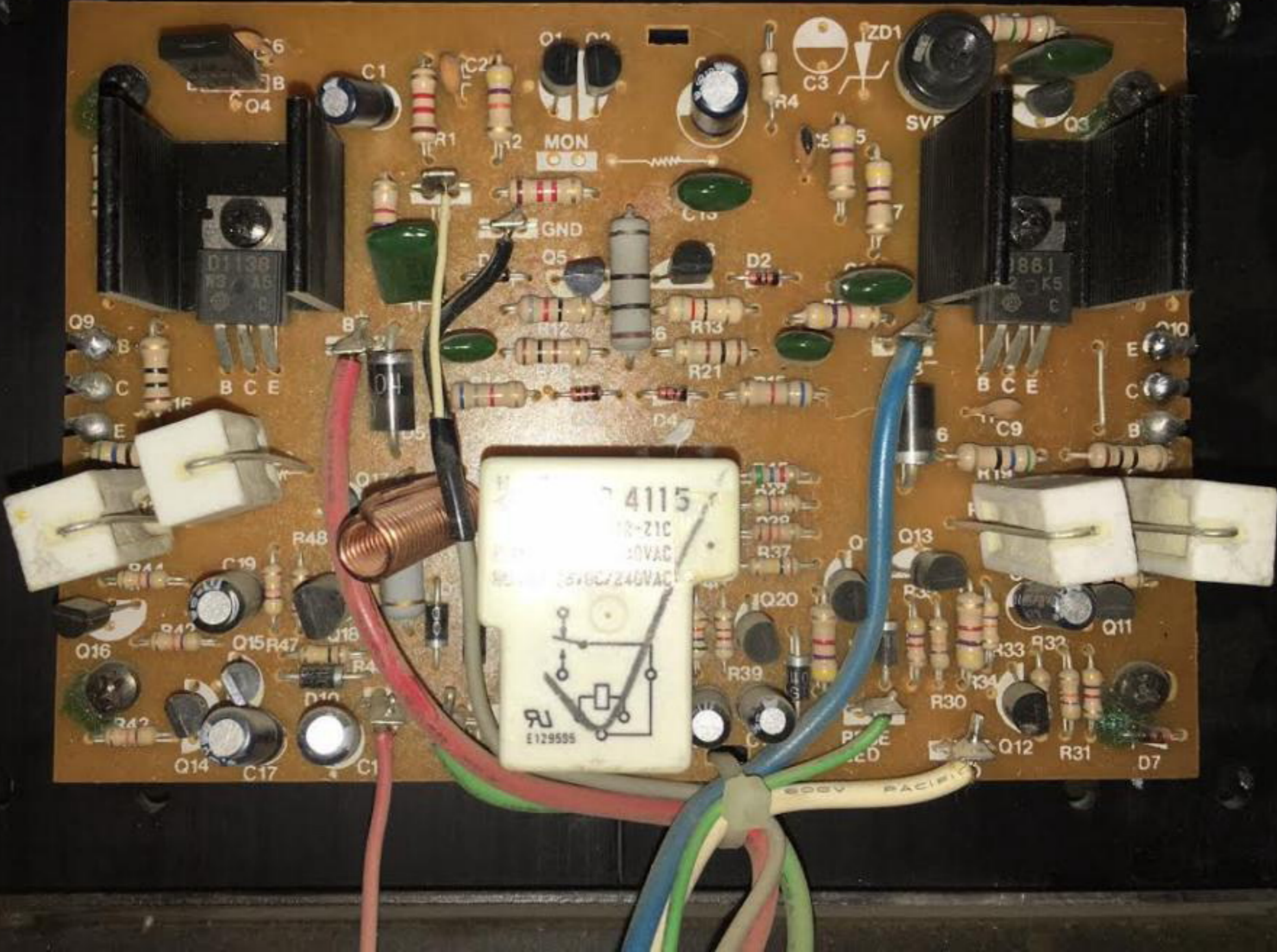


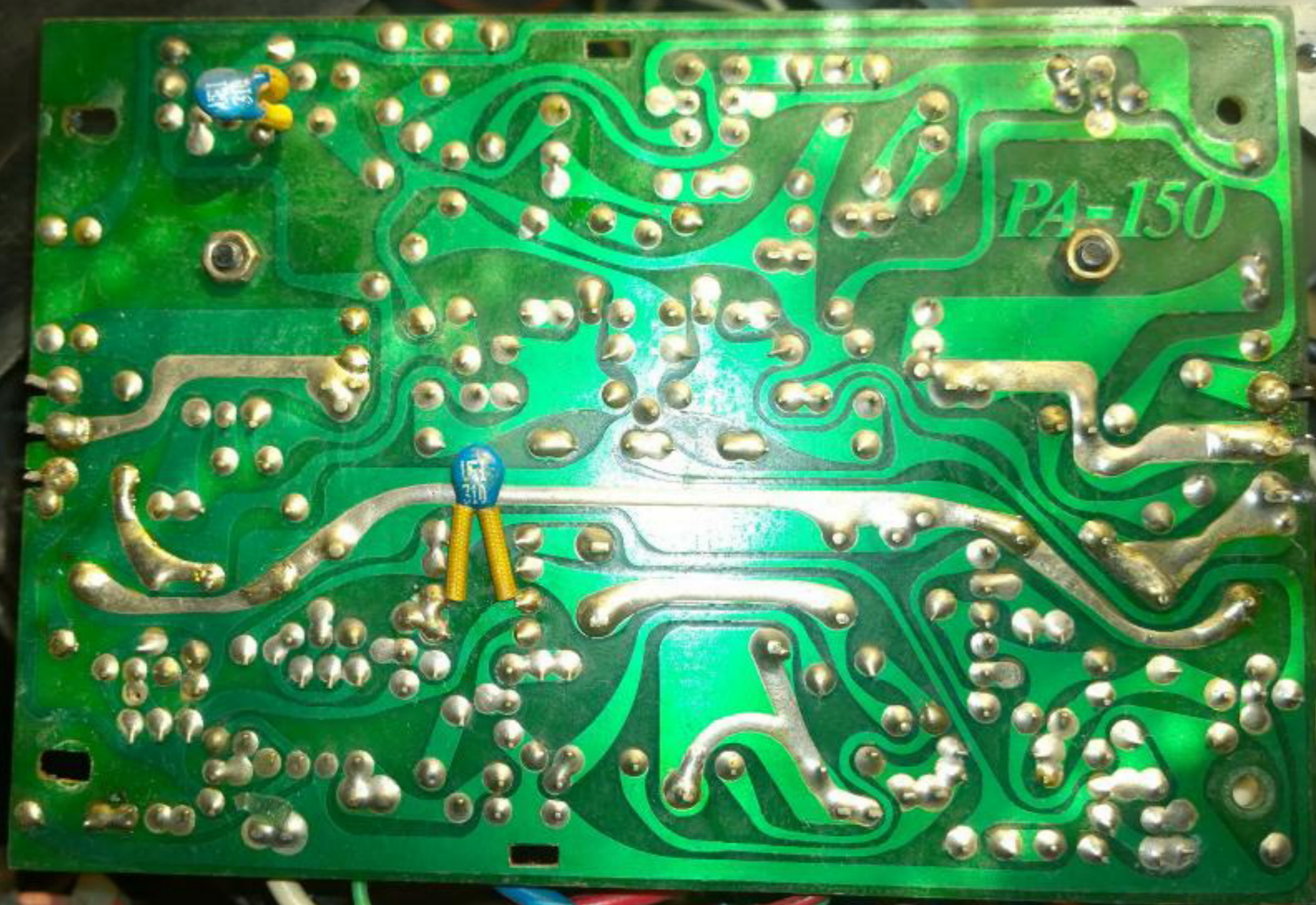
**ENTRADA**











PA-150