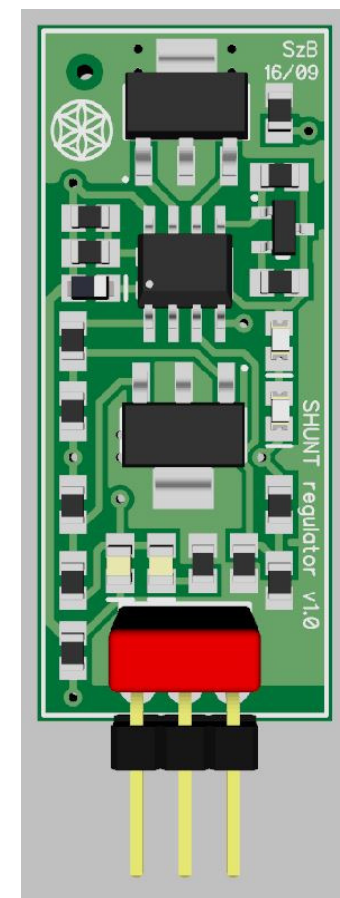
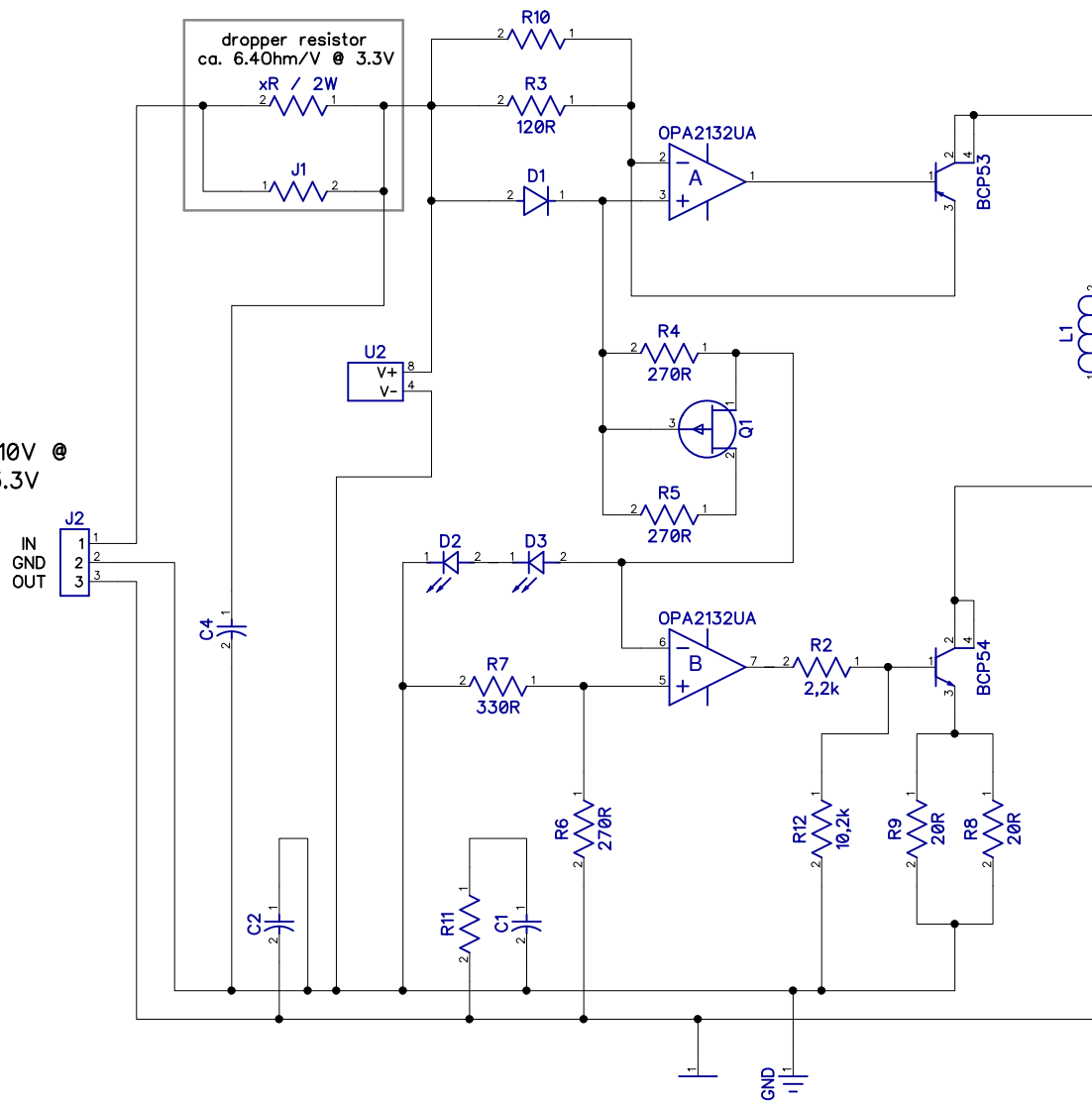


U_{in} = 7-10V @
U_{out} = 3.3V



TentLabs SHUNT regulator clone

2016-09
ver 1.0

SzB

tentshunt.dch
page 1/1