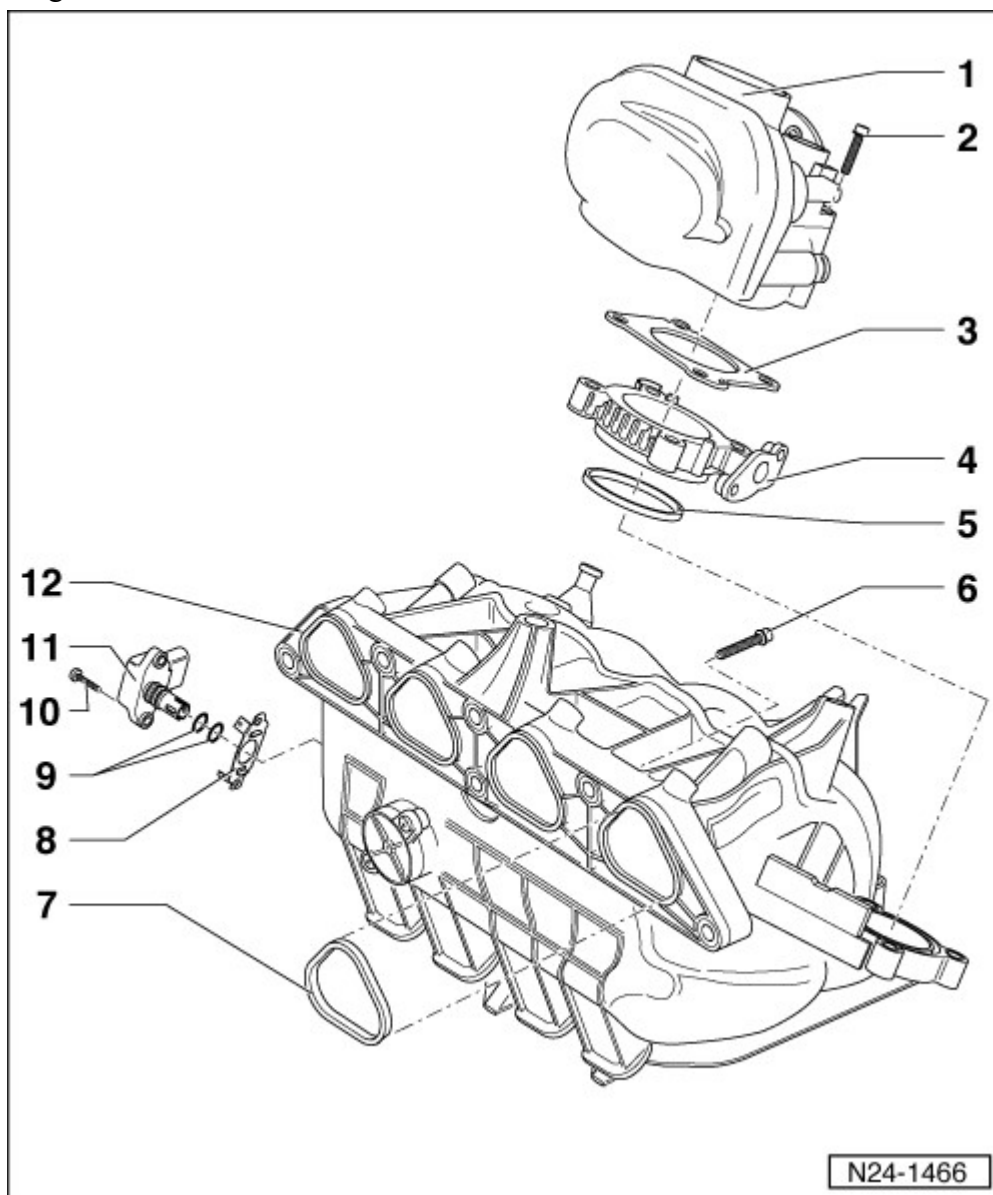


Assembly overview - intake manifold

Engine codes AUA, AUB, BBY, BBZ, BKY.



1 - Throttle valve module -J338-

q Clean → [Chapter](#).

q If renewed, adapt engine control unit to throttle valve module → [Vehicle diagnostic tester](#)“Guided functions”.

2 - 10 Nm

3 - Gasket

q Only vehicles up to model year 2004.

q Note installation position.

q Renew.

4 - Intake connecting pipe

 Note

The vacuum unit is integrated in the intake connecting pipe on vehicles as of model year 2004.

5 - Seal

q Renew if damaged.

6 - 20 Nm

7 - Seal

q Renew.

8 - Guide plate

q Note installation position.

q Renew if damaged.

9 - O-ring

q Renew if damaged.

10 - 3 Nm

11 - Intake manifold pressure sender -G71- with intake air temperature sender -G42-.

12 - Intake manifold

q Removing and installing → [Chapter](#).