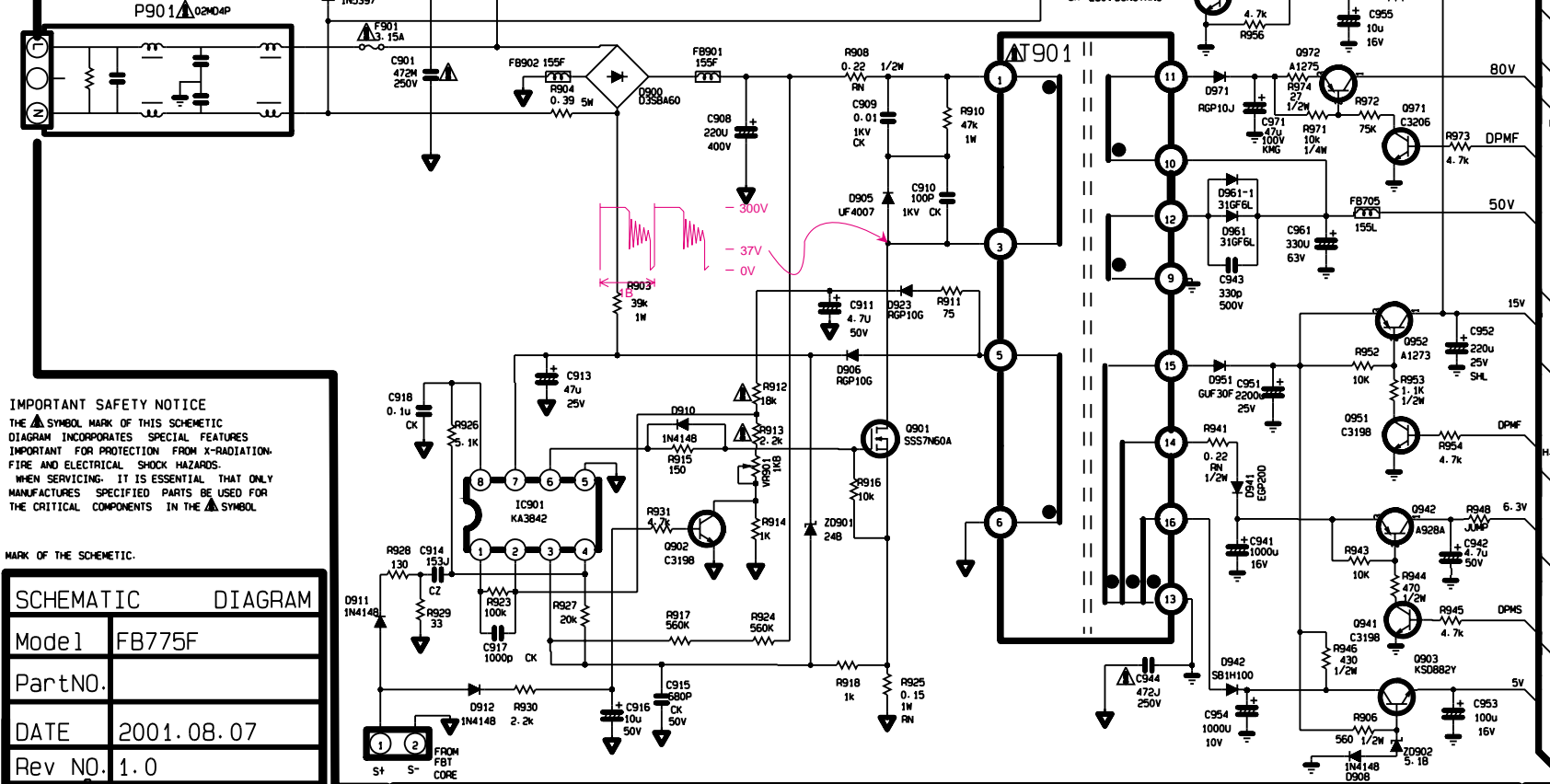
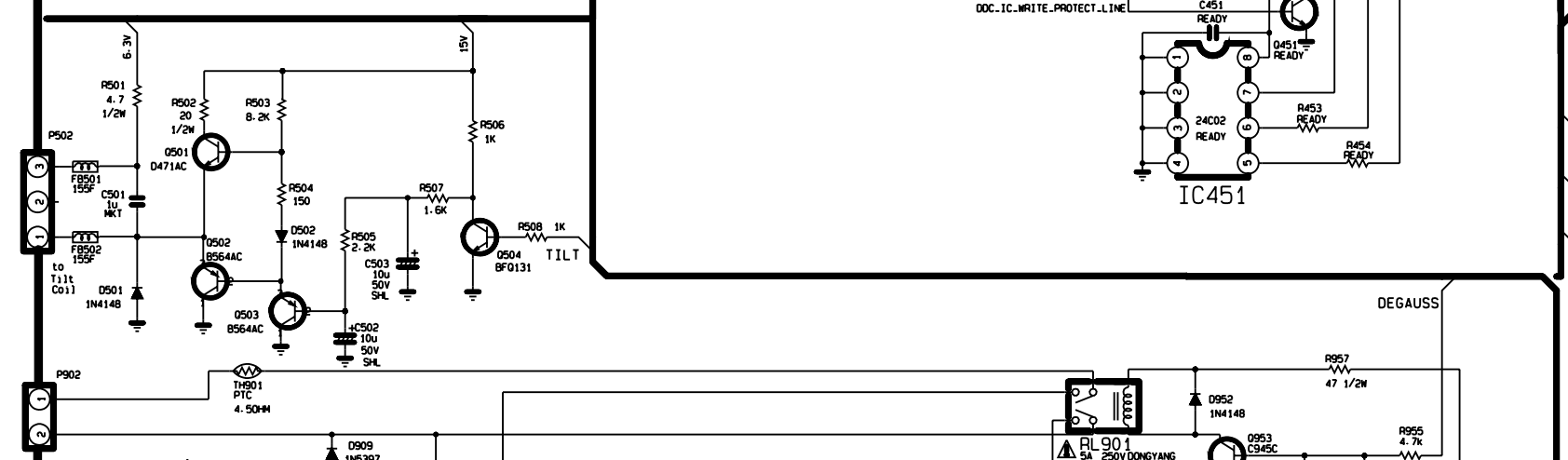
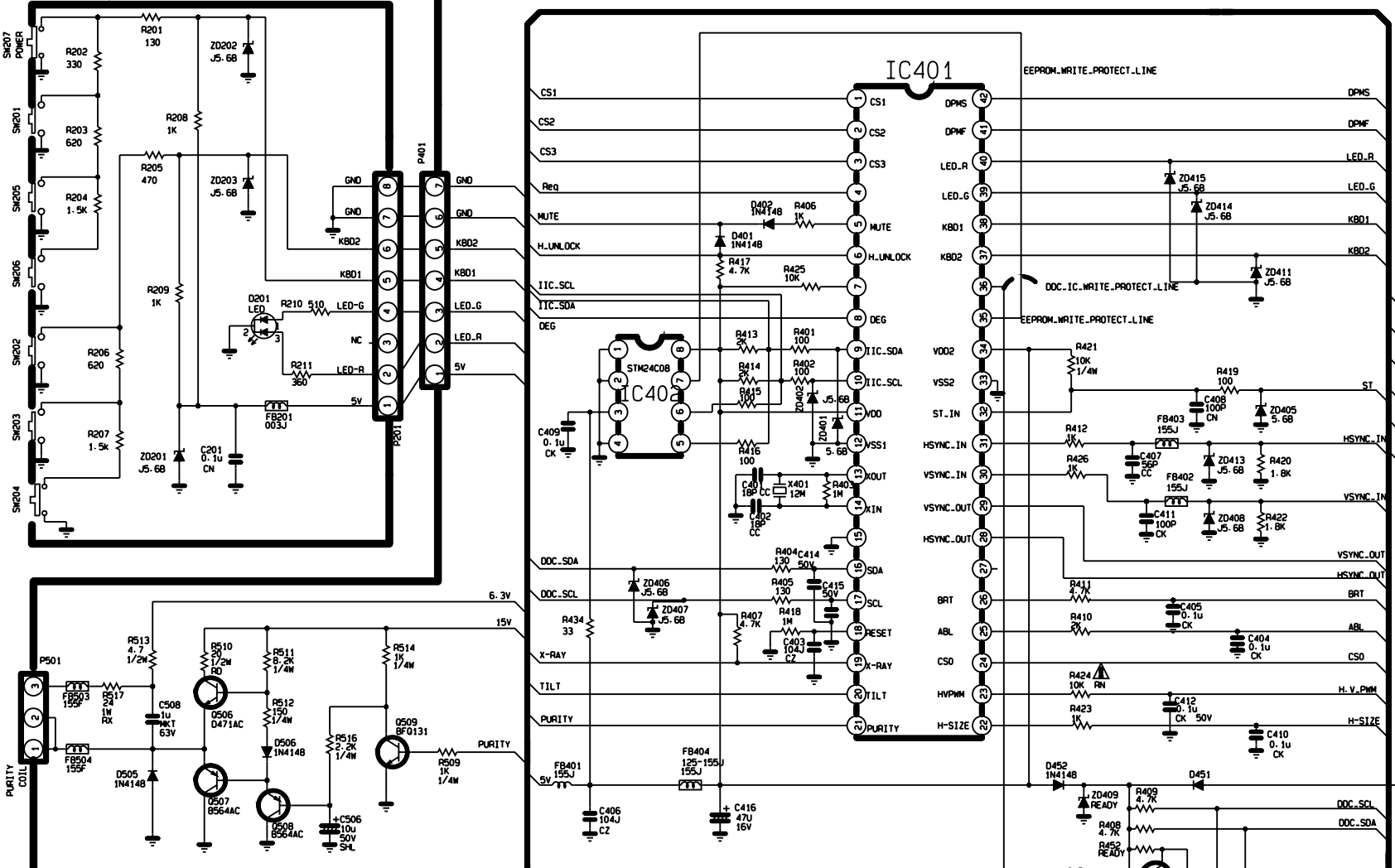


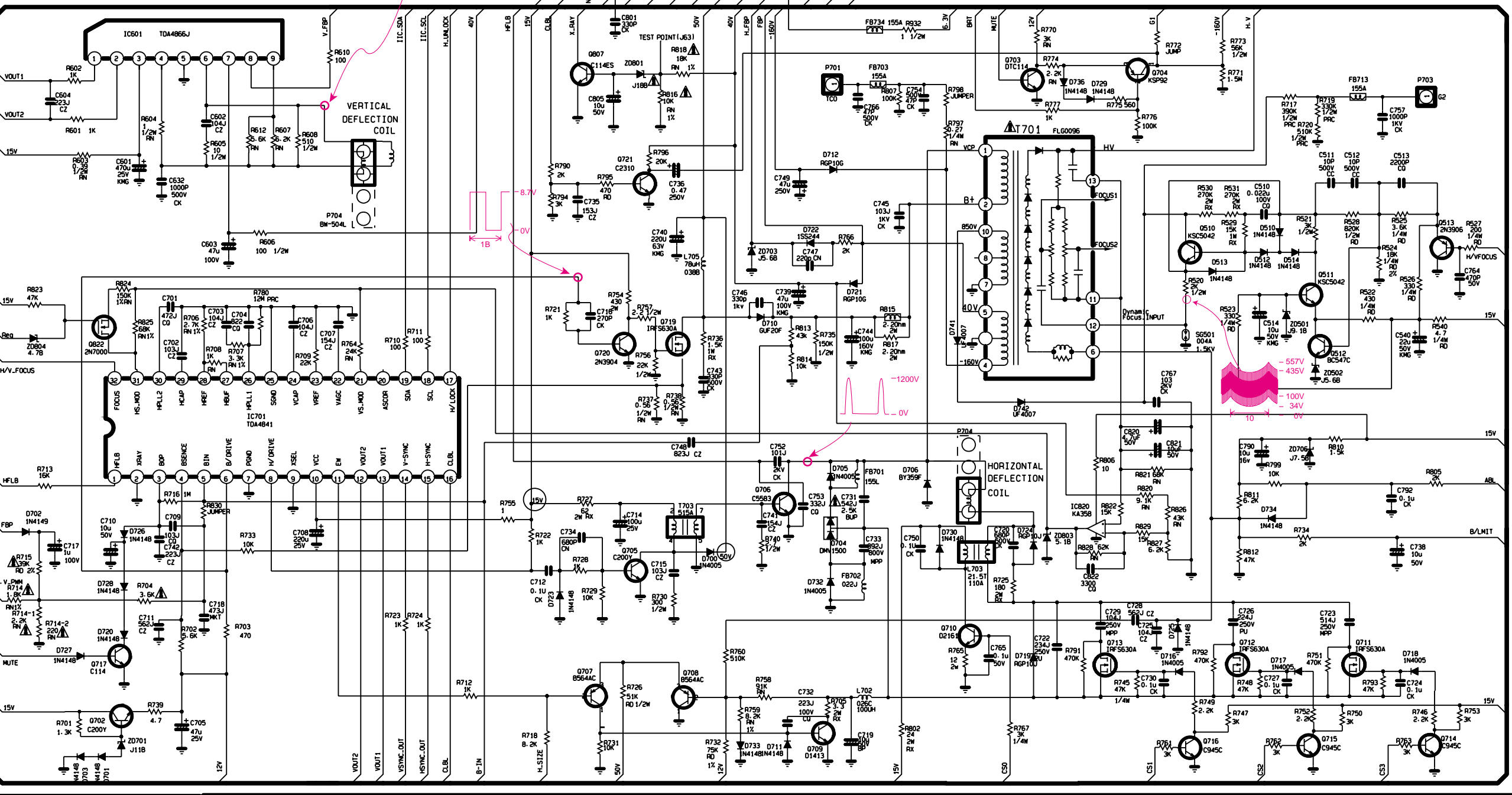
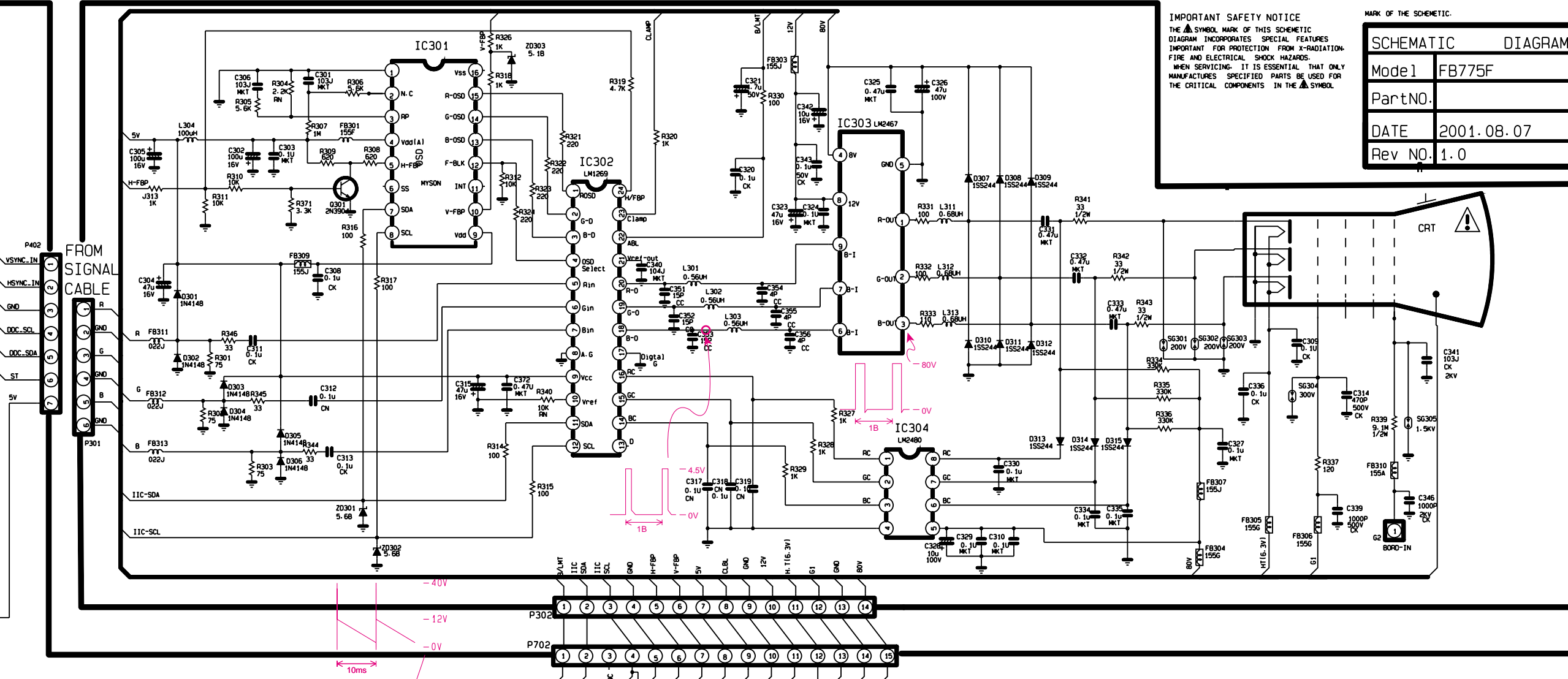
EVF710(Lyman) SCHEMATIC DIAGRAM



IMPORTANT SAFETY NOTICE
THE SYMBOL MARK OF THIS SCHEMATIC DIAGRAM INCORPORATES SPECIAL FEATURES IMPORTANT FOR PROTECTION FROM X-RADIATION, FIRE AND ELECTRICAL SHOCK HAZARDS. WHEN SERVICING, IT IS ESSENTIAL THAT ONLY MANUFACTURER SPECIFIED PARTS BE USED FOR THE CRITICAL COMPONENTS IN THE SYMBOL MARK OF THE SCHEMATIC.

MARK OF THE SCHEMATIC.

SCHEMATIC	DIAGRAM
Model	FB775F
PartNO.	
DATE	2001.08.07
Rev NO.	1.0



IMPORTANT SAFETY NOTICE
THE SYMBOL MARK OF THIS SCHEMATIC DIAGRAM INCORPORATES SPECIAL FEATURES IMPORTANT FOR PROTECTION FROM X-RADIATION, FIRE AND ELECTRICAL SHOCK HAZARDS. WHEN SERVICING, IT IS ESSENTIAL THAT ONLY MANUFACTURER SPECIFIED PARTS BE USED FOR THE CRITICAL COMPONENTS IN THE SYMBOL MARK OF THE SCHEMATIC.

MARK OF THE SCHEMATIC.

SCHEMATIC	DIAGRAM
Model	FB775F
PartNO.	
DATE	2001.08.07
Rev NO.	1.0

