

(See 5" MICROPHONE)

NOTES:
RESISTORS INDICATED IN OHMS
K = 1,000 OHMS
M = 10,000 OHMS
R = RESISTOR VALUES SPECIFIED
RESISTORS ± 10% UNLESS OTHERWISE SPECIFIED
2-4 CONNECTION POINTS
CAPACITORS INDICATED IN MICROMICROFARADS
UNLESS OTHERWISE SPECIFIED
CAPACITORS ± 20% UNLESS OTHERWISE SPECIFIED

ALL SWITCHES IN NEUTRAL POSITION
ALL VOLTAGES MEASURED AT
LINE VOLTAGE 110 VOLTS
RESISTANCE IN ERASE HEAD: CO. 90 OHMS
RESISTANCE IN RECORD HEAD: CO. 300 OHMS
RESISTANCE IN PLAYBACK HEAD: CO. 250 OHMS
RESISTANCE IN L2 AND L3: CO. 80 OHMS
RESISTANCE IN L4 AND L5: CO. 80 OHMS

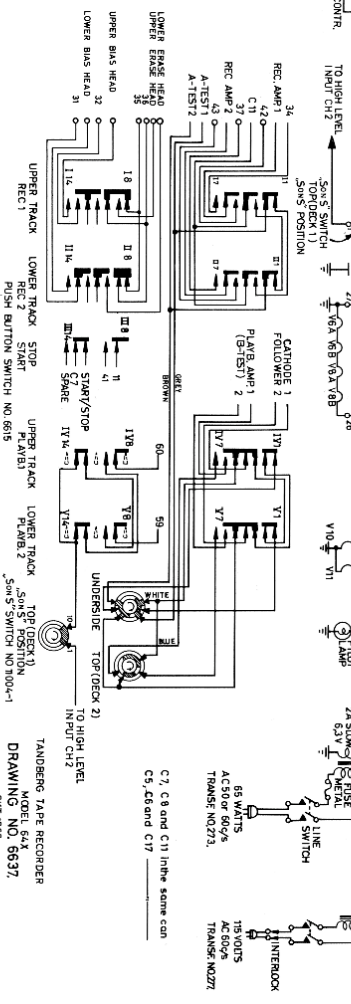


Fig. 2. Tandberg Tape Recorder Model 64x - 62x. Schematic.