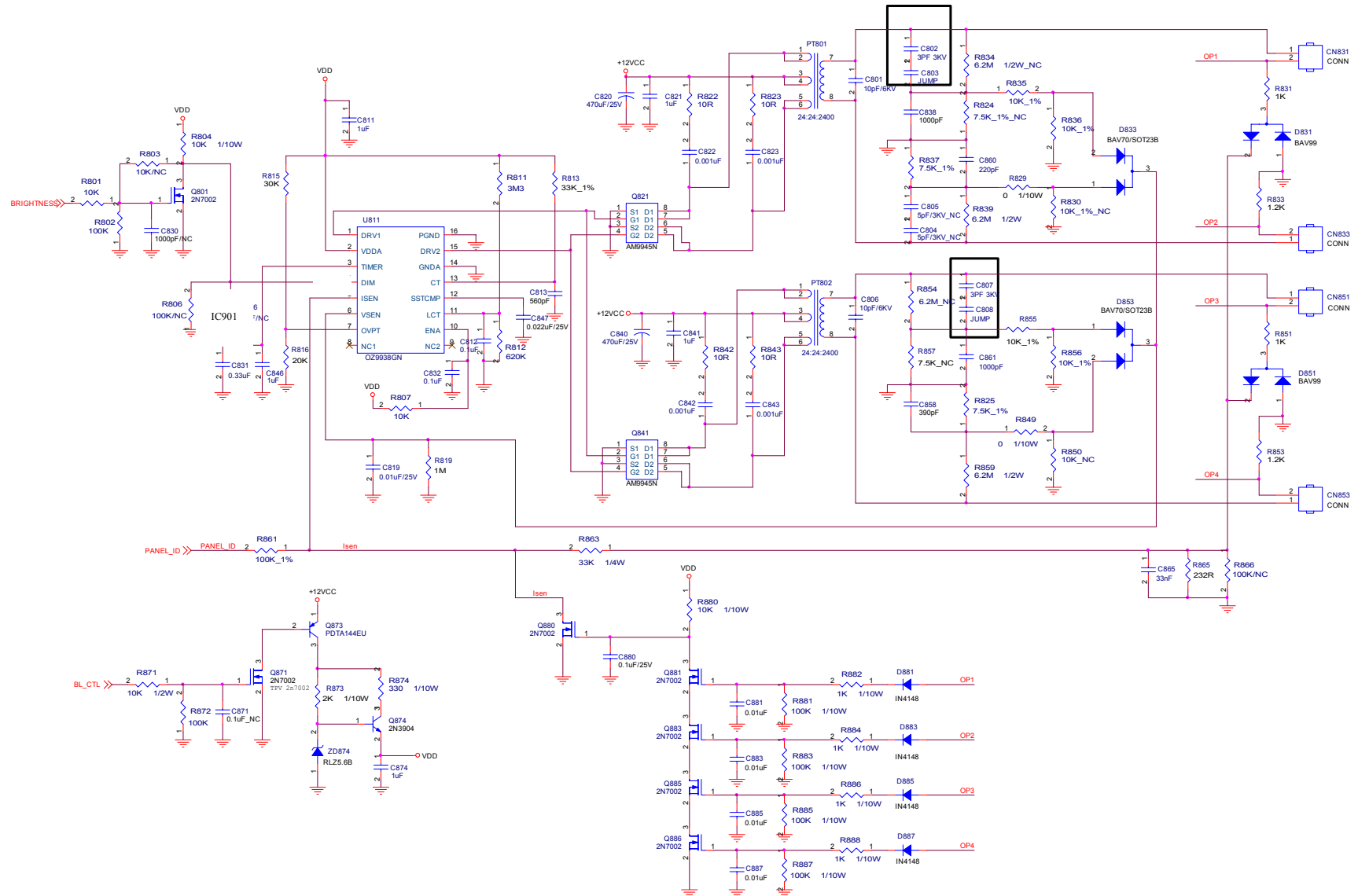


7.2 Power Board

Philips HPL1940T/L1740

PCB : 715G1821-1/715G1995-1



Philips HPL1940/L1740

PCB : 715G1821-1/715G1995-1

