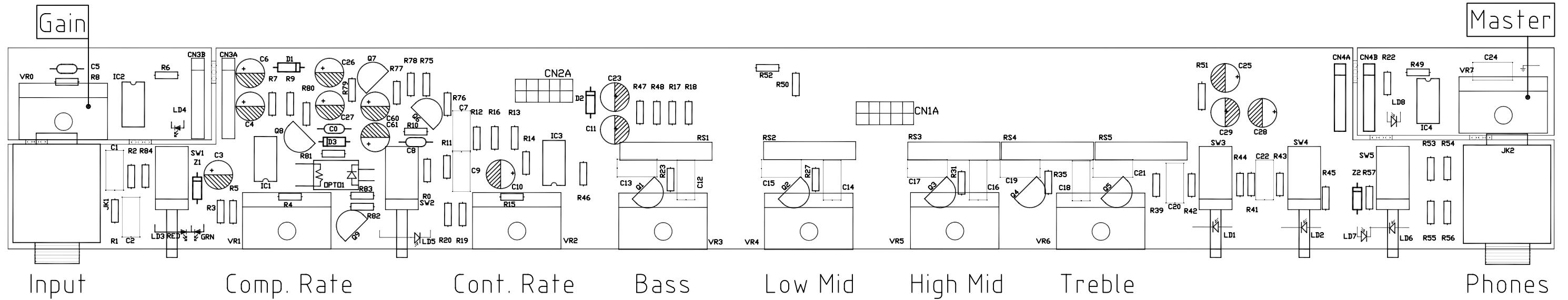
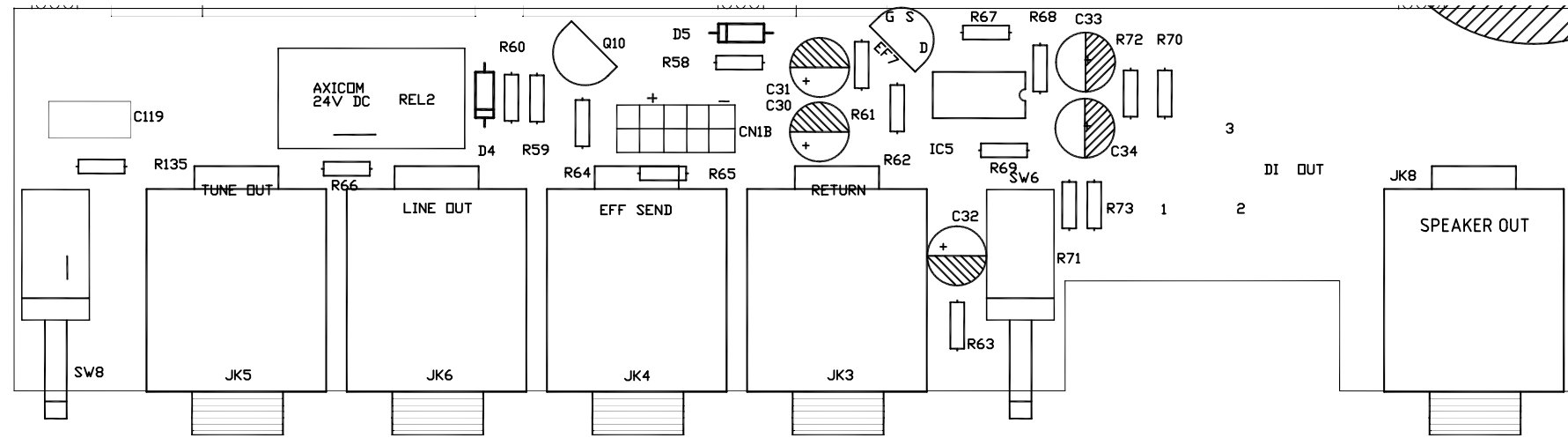


PROFET 5  
SCHEMATIC DIAGRAM

Front Control Board



Output Board



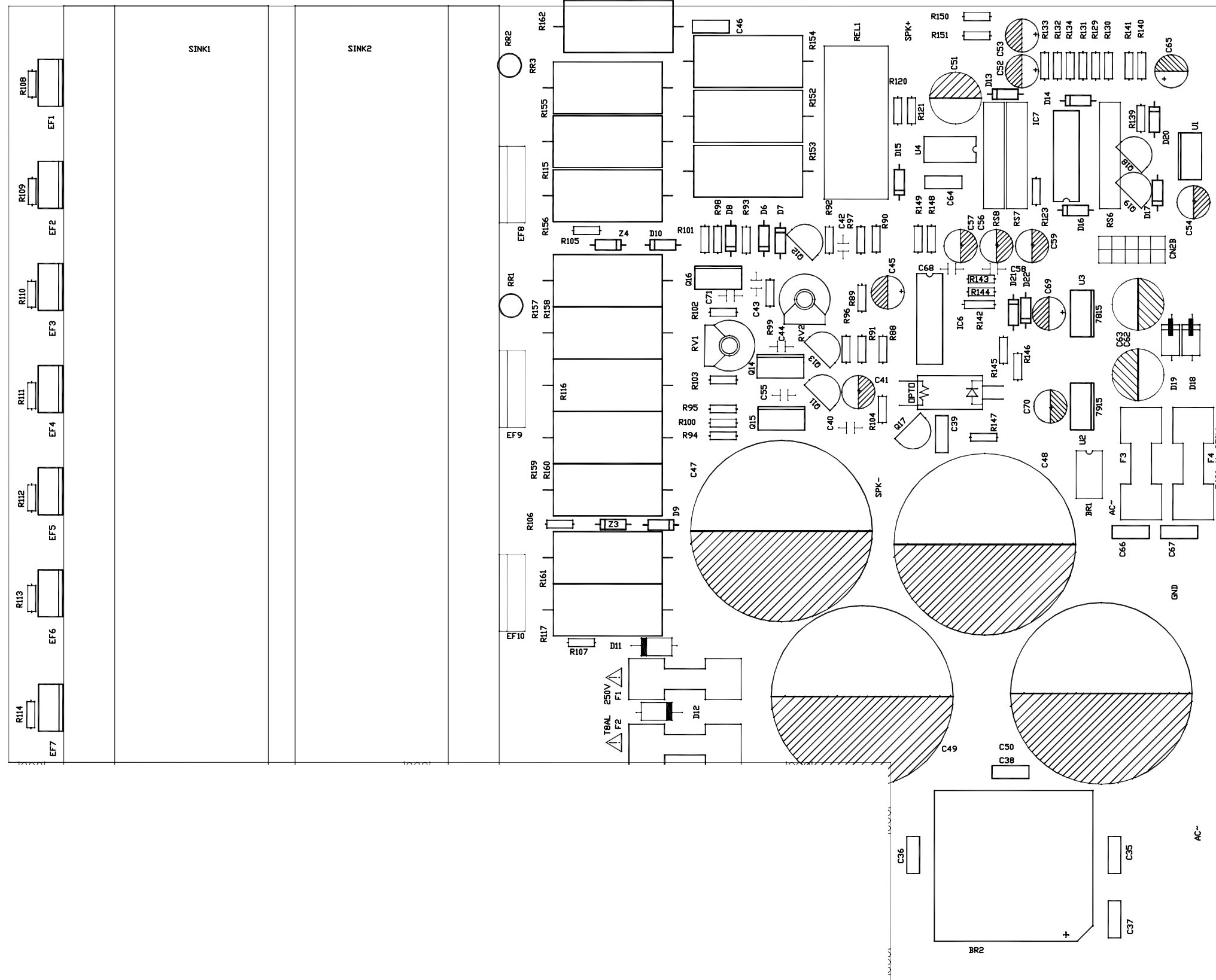
**Warwick**<sup>®</sup>  
Basses, Amps & Rock'n Roll

Warwick GmbH & Co Music Equipment KG  
Gewerbegebiet Wohlhausen  
D-08258 Markneukirchen  
Tel. +49 (0) 37422 555 0  
Fax. +49 (0) 37422 555 99

updated 05.02.2007

**ProFet 5.1**  
Walk-VV, Walk-BU

Amplifier Board

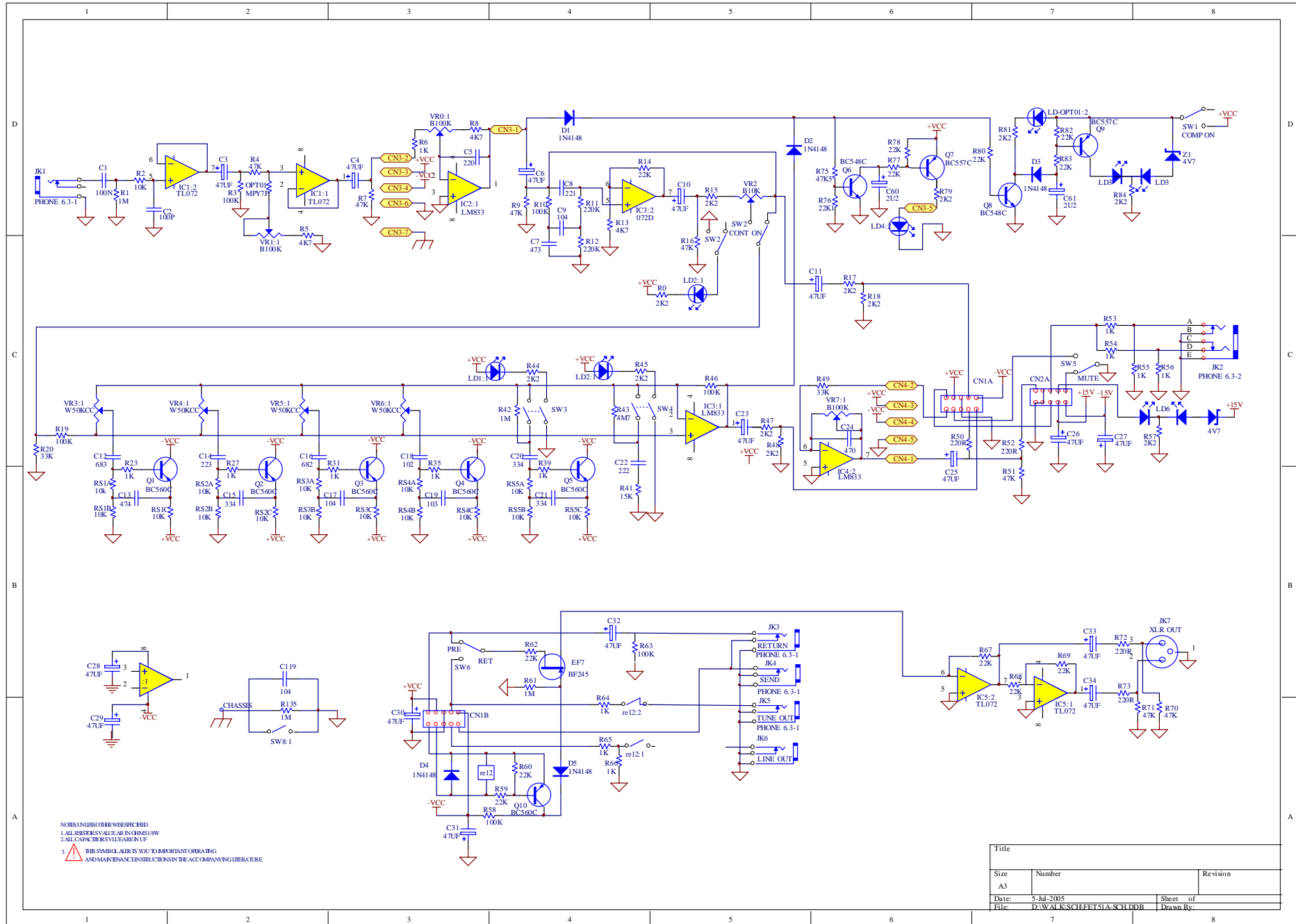


**Warwick®**  
*Basses, Amps & Rock'n Roll.*

Warwick GmbH & Co Music Equipment KG  
 Gewerbegebiet Wohlhausen  
 D-08258 Markneukirchen  
 Tel. +49 (0) 37422 555 0  
 Fax. +49 (0) 37422 555 99

updated 05.02.2007

**ProFet 5.1**  
 Walk-PB



NOER IN UNISSE OBER WISE SUECHED  
 1. ALLE BESONNEN WERTE AN INCHEN UNISSE  
 2. ALLE CAPACITORS WERTE AN INCHEN UNISSE  
 3.  THIS SYMBOL IS HERE TO INFORM YOU OF ANY ERRORS IN THE CIRCUIT AND MAINTENANCE INSTRUCTIONS IN THE ACCOMPANYING LITERATURE

Title		
Size	Number	Revision
A3		
Date:	5-Jul-2005	Sheet of
File:	D:\WALKSCHLEIFET51A-SCH.DDB	Drawn By:

