



PHONES

(044) 360-7-130
(050) 336-0-130
(063) 788-0-130
(067) 233-0-130
(068) 282-0-130

130
COM.UA

Internet store of
autogoods



ICQ
294-0-130
597-0-130

SKYPE
km-130

CAR RECEIVERS — Receivers • Media receivers and stations • Native receivers • CD/DVD changers • FM-modulators/USB adapters • Flash memory • Facia plates and adapters • Antennas • Accessories |
CAR AUDIO — Car audio speakers • Amplifiers • Subwoofers • Processors • Crossovers • Headphones • Accessories | TRIP COMPUTERS — Universal computers • Model computers • Accessories |
GPS NAVIGATORS — Portable GPS • Built-in GPS • GPS modules • GPS trackers • Antennas for GPS navigators • Accessories | VIDEO — DVR • TV sets and monitors • Car TV tuners • Cameras • Videomodules
• Transcoders • Car TV antennas • Accessories | SECURITY SYSTEMS — Car alarms • Bike alarms • Mechanical blockers • Immobilizers • Sensors • Accessories | OPTIC AND LIGHT — Xenon • Bixenon • Lamps
• LED • Stroboscopes • Optic and Headlights • Washers • Light, rain sensors • Accessories | PARKTRONICS AND MIRRORS — Rear parktronic • Front parktronic • Combined parktronic • Rear-view mirrors
• Accessories | HEATING AND COOLING — Seat heaters • Mirrors heaters • Screen-wipers heaters • Engine heaters • Auto-refrigerators • Air conditioning units • Accessories | TUNING — Vibro-isolation
• Noise-isolation • Tint films • Accessories | ACCESSORIES — Radar-detectors • Handsfree, Bluetooth • Windowlifters • Compressors • Beeps, loudspeakers • Measuring instruments • Cleaners • Carsits
• Miscellaneous | MOUNTING — Installation kits • Upholstery • Grilles • Tubes • Cable and wire • Tools • Miscellaneous | POWER — Batteries • Converters • Start-charging equipment • Capacitors
• Accessories | MARINE AUDIO AND ELECTRONICS — Marine receivers • Marine audio speakers • Marine subwoofers • Marine amplifiers • Accessories | CAR CARE PRODUCTS — Additives • Washer fluid •
Care accessories • Car polish • Flavors • Adhesives and sealants | LIQUID AND OIL — Motor oil • Transmission oil • Brake fluid • Antifreeze • Technical lubricant



In store "130" you can find and buy almost all necessary goods for your auto in Kyiv and other cities, delivery by ground and postal services. Our experienced consultants will provide you with exhaustive information and help you to chose the very particular thing. We are waiting for you at the address

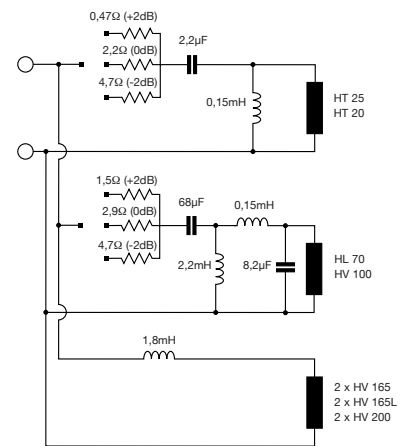
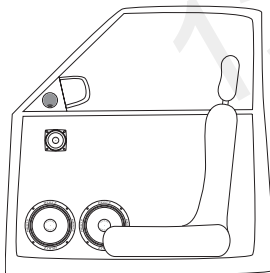
<http://130.com.ua>

HI ENERGY

3W.20

Technical Specifications

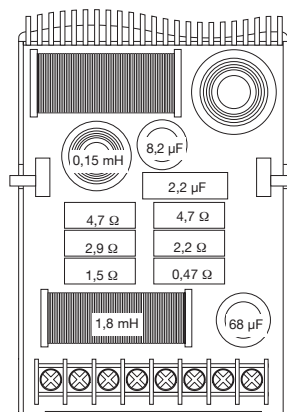
Component	Three Way Passive Crossover	
Size	88x133x37	
Power Handling (Watt)	peak	300
	continuous program	150
Crossover Frequency	Hz	500
		4,5k
Slope	dB/Oct.	6-12
		12-12
Specific Components	HT 25 + HT 20	2x
		HV 165 HV 165L HV 200
	HL 70 +	
Adjustment	+2; 0; -2 dB	TW/MID



Tweeter	Midrange	Woofer	Crossover
HT 25	HL 70	2 x HV 165	3W.20
HT 25	HL 70	2 x HV 165 L	3W.20
HT 25	HL 70	2 x HV 200	3W.20
HT 20	HL 70	2 x HV 165	3W.20
HT 20	HL 70	2 x HV 165 L	3W.20
HT 20	HL 70	2 x HV 200	3W.20
HV 100 sostituite l'induttanza originale con la audiocoil First SPB 047 di AZ audiocomp come indicato nello schema Replace the original inductance with First SPB 047 audiocoil by AZ audiocomp as indicated in the drawing			3W.20_M100

3W.20

Originale
Original



3W.20_M100

Modifica per l'utilizzo con il woofer HV 100
Tuning to be used with HV 100 woofer

