


SCHEMATIC DIAGRAMS

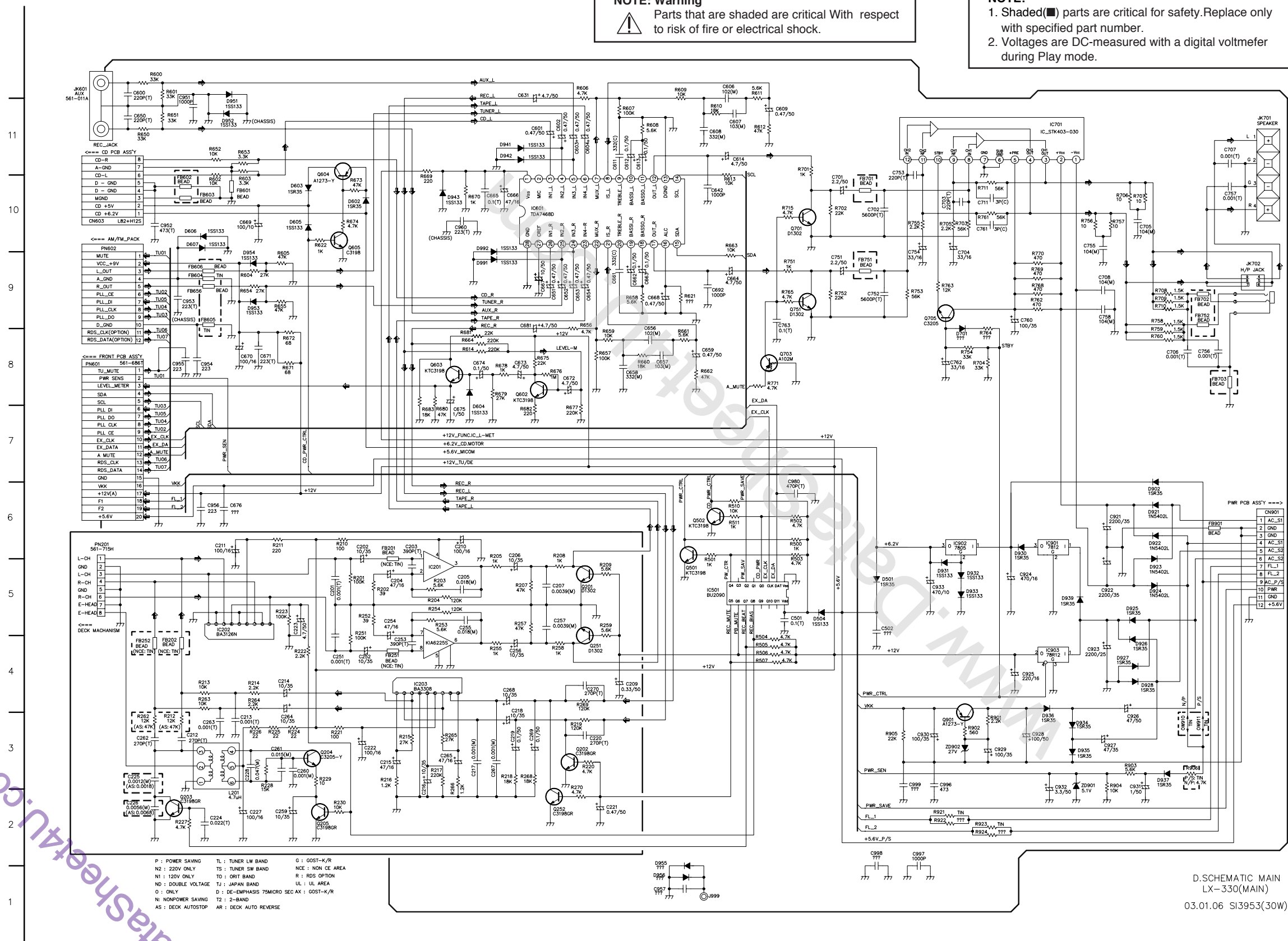
MAIN SCHEMATIC DIAGRAM

NOTE: Warning
 Parts that are shaded are critical With respect to risk of fire or electrical shock.

NOTE:
 1. Shaded(■) parts are critical for safety. Replace only with specified part number.
 2. Voltages are DC-measured with a digital voltmeter during Play mode.

LOCATION GUIDE

C201	E5	C925	N4	C751	J9	R711	M10
C202	E6	C926	O3	C901	L3	R715	J10
C203	E6	C927	O3	R201	E5	R751	J9
C204	F5	C933	L5	C208	N3	R202	G6
C205	F5	C929	M3	R203	F5	R753	L9
C206	G6	C930	L3	R204	F5	R754	M8
C207	G5	C931	O3	R205	G6	R755	L10
C209	H4	C932	N3	R207	G5	R756	N10
C210	F6	C933	L5	R208	G6	R759	O10
C211	C6	C951	C11	R209	H5	R758	O9
C212	C3	C952	B10	R210	E6	R759	O8
C213	C3	C953	C9	R211	D6	R760	O8
C214	D4	C954	C8	R212	B3	R761	M10
C215	E3	C955	C8	R213	O4	R762	N9
C216	C6	C956	C6	R214	C4	R763	L9
C217	F3	C957	I1	R215	E3	R764	M8
C218	G4	C960	F10	R216	E3	R765	J9
C219	G3	C980	J6	R217	F3	R768	N9
C220	H3	C996	L3	R218	G3	R769	N9
C221	H2	C997	L2	R219	H3	R770	N9
C222	E3	C998	L2	R220	H3	R771	J8
C223	D5	C999	L3	R221	E3	R901	M3
C224	C2	CN603	A10	R222	D4	R902	M3
C225	B3	CN901	Q6	R223	O5	R903	O3
C226	B2	D501	L5	R224	D3	R904	O3
C227	C2	D502	K5	R225	C3	R905	L3
C228	C3	D602	E10	R226	C3	R906	P3
C251	E4	D603	D10	R227	B2	R921	L2
C252	E4	D604	F7	R228	D3	R922	L2
C253	E4	D605	D10	R229	D3	R923	M2
C254	C10	D606	C10	R230	C10	R924	M2
C255	F5	D607	C10	R251	E5	TU01	B9
C256	G4	D701	M8	R252	E5	TU01	B8
C257	G5	D902	O6	R253	F5	TU02	B9
C259	D2	D921	O6	R254	F5	TU02	B7
C260	D3	D922	O4	R255	G4	TU03	B9
C261	D3	D923	O5	R256	G5	TU03	B7
C262	B3	D924	O5	R258	G4	TU04	B9
C263	C3	D925	O5	R259	H5	TU04	B7
C264	D3	D926	O4	R262	B3	TU05	B9
C265	C3	D927	O4	R263	C4	TU05	B7
C267	G3	D928	O4	R267	G4	TU06	B8
C268	G4	D930	M6	R265	F3	TU06	B7
C269	G3	D931	L5	R266	F2	TU07	B8
C270	H4	D932	M5	R268	G3	TU07	B7
C501	J5	D933	M5	R269	H4	VKK	K4
C502	L5	D934	N3	R270	H3	VKK	B6
C600	B12	D935	N3	R500	J6	ZD901	N3
C601	G11	D936	N3	R501	I5	ZD902	M3
C602	G11	D937	O3	R502	J6		
C603	H11	D939	N5	R503	J5		
C604	H11	D941	G11	R504	J4		
C606	J12	D942	G11	R505	J4		
C607	J11	D943	G10	R506	J4		
C608	I11	D951	C11	R507	J4		
C609	J11	D952	C11	R510	J6		
C611	H11	D953	C9	R511	J6		
C612	H11	D954	C9	R600	O2		
C613	I11	D955	I2	R601	B12		
C614	J11	D956	I1	R602	C10		
C631	G12	D991	F9	R603	C10		
C642	I10	D992	F10	R604	C9		
C650	B11	FB201	E6	R605	O9		
C651	G9	FB202	B4	R606	H12		
C652	H9	FB251	E4	R607	H11		
C653	H9	FB252	B4	R608	I11		
C654	H9	FB601	C10	R609	I12		
C656	H9	FB602	B10	R610	I11		
C657	H9	FB603	C10	R611	J12		
C658	H8	FB604	C9	R612	J11		
C659	H8	FB605	C9	R613	J10		
C661	H9	FB606	C9	R614	F8		
C662	H9	FB656	C9	R621	I9		
C663	I9	FB701	K10	R622	I9		
C664	J9	FB702	P9	R650	B11		
C665	G10	FB703	P8	R651	B11		
C666	G10	FB751	K9	R652	C11		
C667	G9	FB752	P9	R653	C11		
C668	I9	FB901	P6	R654	C9		
C669	C10	IC201	F5	R655	D9		
C670	C8	IC202	C5	R656	H9		
C671	D8	IC203	F4	R657	H8		
C672	H8	IC501	I5	R658	H9		
C673	G8	IC601	G10	R659	H8		
C674	F8	IC701	N11	R660	H8		
C675	F7	IC901	N6	R661	I8		
C676	C6	IC902	M6	R662	I8		
C681	G9	IC903	N4	R663	J10		
C692	I9	J999	I1	R664	F8		
C701	K10	JK601	A12	R669	O10		
C702	K10	JK701	O11	R670	F10		
C703	L10	JK702	P9	R671	D8		
C704	M9	L201	C2	R672	D8		
C705	O10	OW910	P3	R673	E10		
C706	O8	OW911	P3	R674	E10		
C707	P11	PN201	A6	R675	C8		
C708	N9	PN601	A8	R676	G8		
C711	M10	PN602	B10	R677	H7		
C751	K9	Q201	H5	R678	G8		
C752	K9	Q202	H5	R679	G8		
C753	L11	Q203	C2	R680	F7		
C754	L9	Q204	D3	R681	F8		
C755	N10	Q205	D2	R682	G7		
C756	P8	Q251	H4	R683	F7		
C757	P10	Q252	G2	R701	K11		
C758	O9	Q501	I5	R702	K10		
C760	M9	Q502	I6	R703	M10		
C761	M10	Q602	G8	R704	M8		
C762	M8	Q603	F8	R705	L10		
C763	J9	Q604	D10	R706	O10		
C921	O6	Q605	E10	R707	O10		
C922	O5	Q701	J10	R708	O9		
C923	N4	Q703	J8	R709	O9		
C924	M5	Q705	L9	R710	O9		



D.SCHEMATIC MAIN
 LX-330(MAIN)
 03.01.06 SI3953(30W)