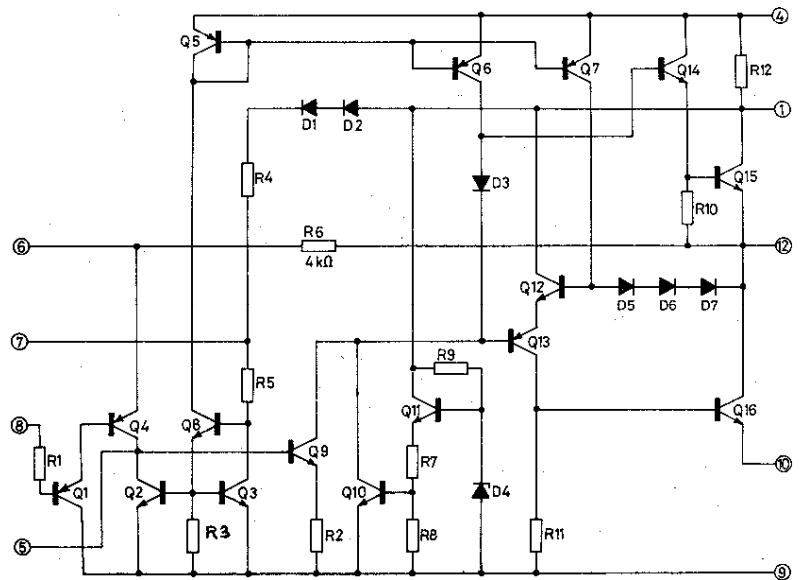
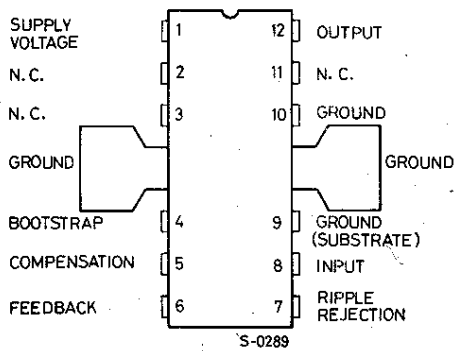
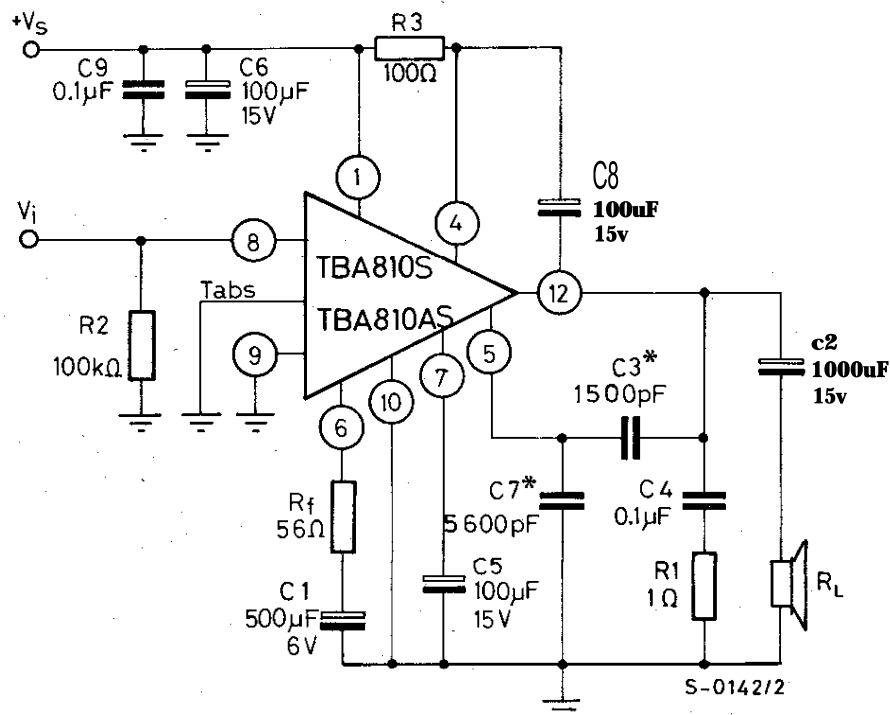


TBA 810S TBA 810AS

CONNECTION AND SCHEMATIC DIAGRAM



TEST AND APPLICATION CIRCUIT



* C3, C7 see fig. 6