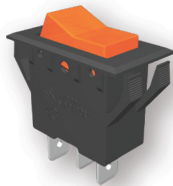
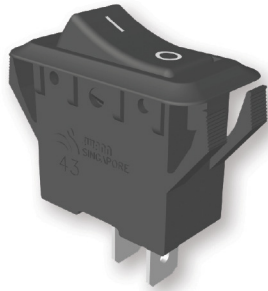
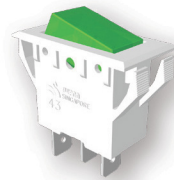


SERIES 43

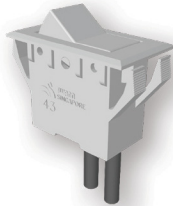
43系列



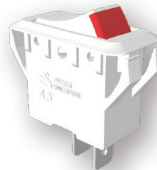
43 transparent vee button



43 transparent flat button



43 vee button leaded



43 scallop button color inlay

Ratings & Approvals

额定负载 与安全认证

	15A 125VAC, 7.5A 250VAC
	10(4)A 250V~
Rating for 43D# only	
	12A 125VAC, 6A 250VAC

RoHS RoHS Compliant

Panel Cutout (mm)

面板尺寸

Panel Thickness	L (+0.1)	W (+0.1)
1.0 (Min.)	28.6	14.0
3.0 (Max.)	28.8	14.0

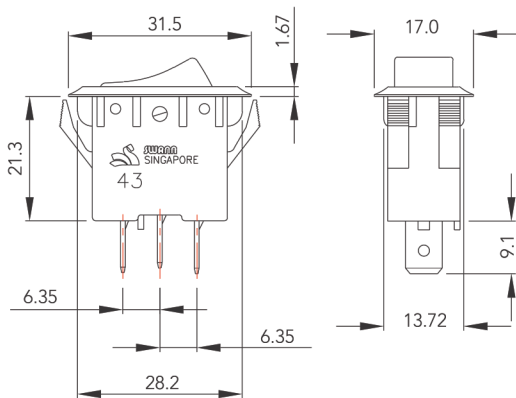
Circuits

电路

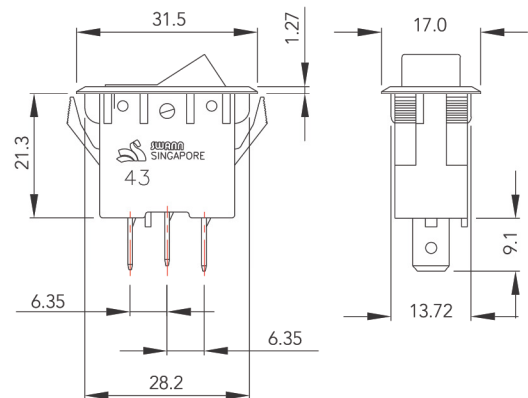
A	B	C	D	G
on-off	on-on	(on)-off	on-off-on	on-off illuminated at on 带灯
() Momentary 自动复位				

Dimensions (mm)

产品尺寸



43 Scallop Button



43 Vee Button

Electrical Properties

电气性能

Contact Gap	≥ 3mm
Insulation Spacing	≥ 8mm
Contact Resistance	< 20mΩ initially
Dielectric Strength	Up to 3.5 kV
Insulation Resistance	> 50MΩ (500VDC between the open contacts) initially
Electrical Life	≥ 20,000 cycles at full load
Resistance to Tracking	PTI 250

Mechanical Properties

机械性能

Glow Wire Test	850°C (category D)	
Flammability	UL 94V-2 minimum	
Mechanical Life	≥ 100,000 cycles	
Material	Button/Body Transparent Button Terminals Moving Contact	Nylon 6/6 Polycarbonate Copper Alloy Copper Alloy
Soldering Parameters	Soldering Iron Wattage Tip Temperature Soldering Time	50W 350°C Within 3 sec. at 'OFF' position

Product Ordering Code

产品定货代码

Illustration: 43 G B / R - S 1 250V QC U/C/V

43 [] [] / [] - [] [] [] [] [] [] []

Circuits 电路	Code	Body Color 主体颜色	Code	Button Color 按钮颜色	Code	Button Style 按钮样式	Code	Legends 标志	Code	Lamp Voltage 灯泡电压	Code	Terminals 端子	Code
on-off	A	Black	B	Black	B	Scallop	S			None		6.3x0.8mm Quick Connect	QC
on-on	B	White	W	White	W	Flat	F		1	125VAC	125V	Solder Tail	ST
(on)-off	C	Bisque	Bs	Bisque	Bs	Vee	V			125/250VAC	250V	PC Tail	PC
on-off-on	D	Gloss Black	GIB	Gloss Black	GIB				2	12VDC	12V	Leaded	LD
on-off illuminated at on 带灯	G	Gloss White	GIW	Gloss White	GIW				3	24VDC	24V		
() Momentary 自动复位		Gloss Bisque	GIBs	Gloss Bisque	GIBs								
		Red	R	Red	R								
		Amber	Ar	Amber	Ar								
		Green	Gn	Green	Gn								
									4				
									5				
									6				
									7				
									8				
									9				
									10				
									11				
									12				
									13				
									14				
									15				
									16				
									17				
									18				
									19				
									20				
									Inlay				

Ratings 额定负载		
UL	15A 125VAC 7.5A 250VAC,	U/C/V
CSA	15A 125VAC 8A 250VAC,	
VDE/ ENEC	10(4)A 250V~	
Rating for 43D# only		
UL/ CSA	12A 125VAC 6A 250VAC	U/C

Please refer to Swann for colors, legends or configurations not listed above 以上未列出之颜色,标志及配置结构,请联络索尔安查询