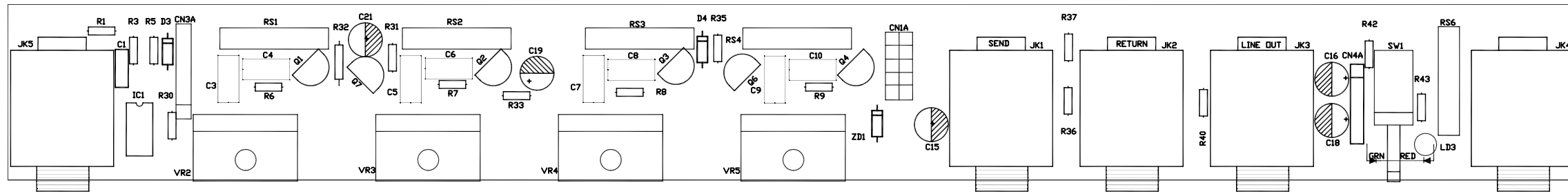


Front Control Board



Input

Bass

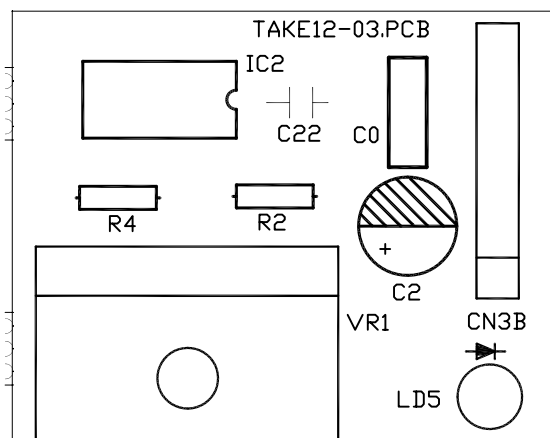
Mid Low

Mid High

Treble

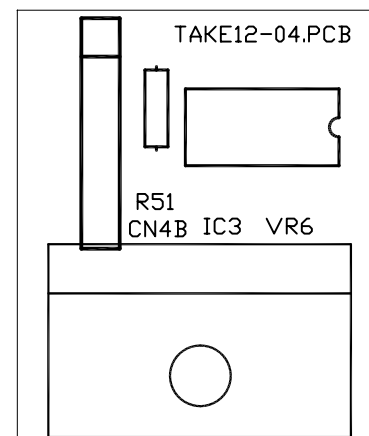
Phones

Input Board



Gain

Output Board



Master



Warwick GmbH & Co Music Equipment KG
 Gewerbegebiet Wohlhausen
 D-08258 Markneukirchen
 Tel. +49 (0) 37422 555 0
 Fax. +49 (0) 37422 555 99

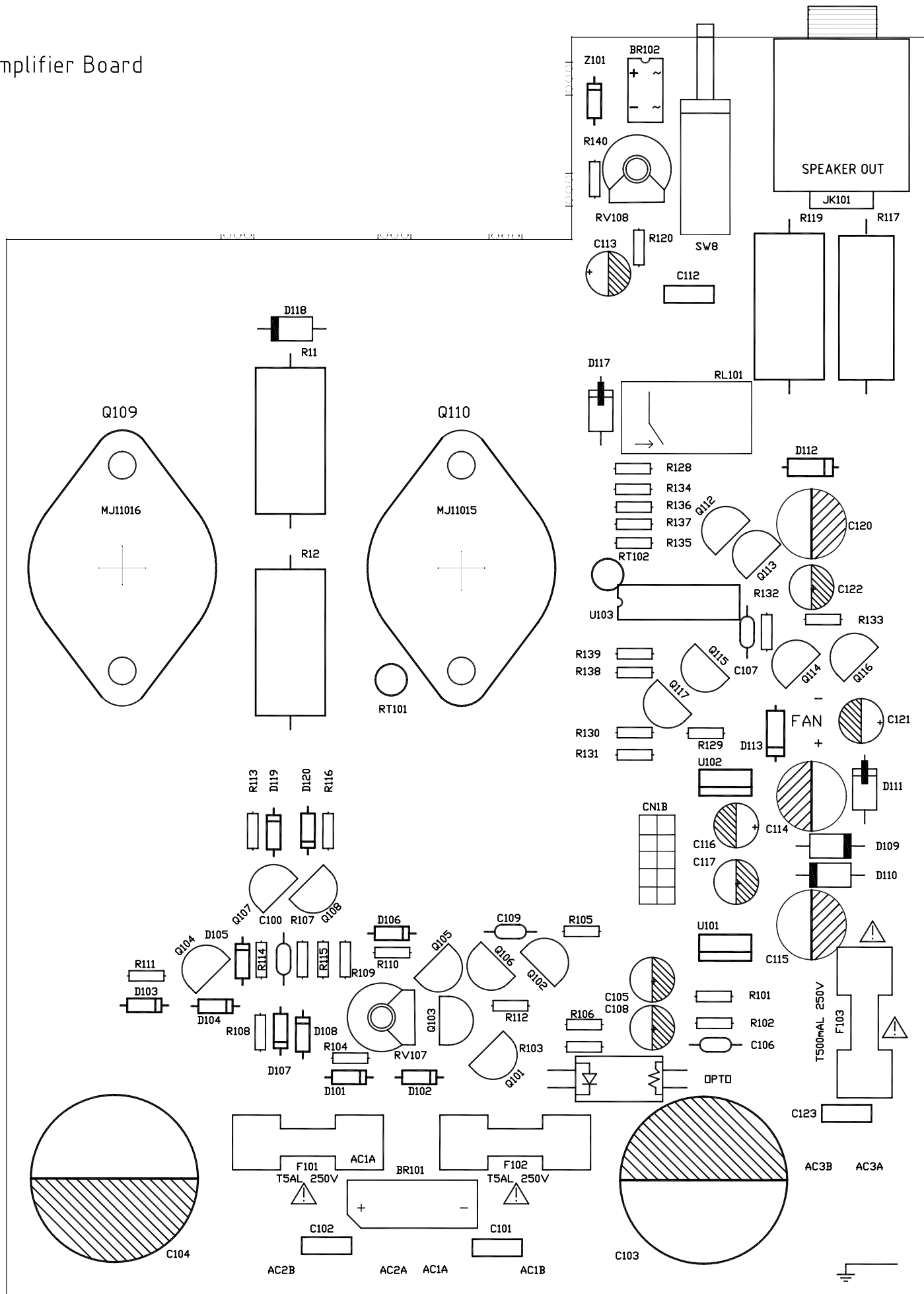
updated

24.01.2007

Take12

Take12-01; Take12-03; Take12-04

Amplifier Board



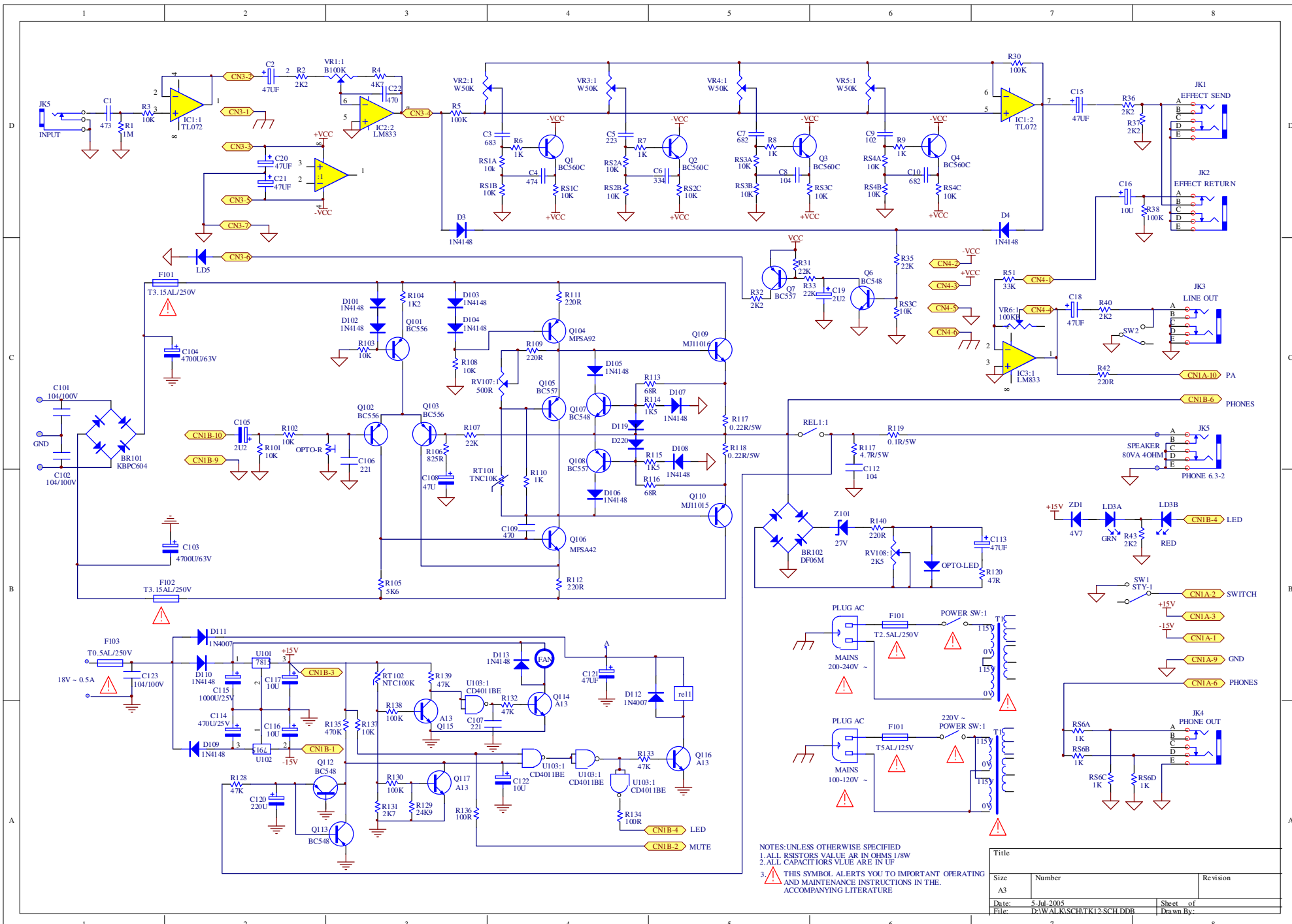
Warwick®
Basses, Amps & Rock'n Roll.

Warwick GmbH & Co Music Equipment KG
 Gewerbegebiet Wohlhausen
 D-08258 Markneukirchen
 Tel. +49 (0) 37422 555 0
 Fax. +49 (0) 37422 555 99

updated

24.01.2007

Take12



NOTES: UNLESS OTHERWISE SPECIFIED
 1. ALL RESISTORS VALUE ARE IN OHMS 1/8W
 2. ALL CAPACITORS VALUE ARE IN UF
 3. THIS SYMBOL ALERTS YOU TO IMPORTANT OPERATING AND MAINTENANCE INSTRUCTIONS IN THE ACCOMPANYING LITERATURE.

Title		
Size	Number	Revision
A3		
Date:	5-Jul-2005	Sheet of
File:	D:\WAL\K\SCH\TK12.SCH.DDB	Drawn By: