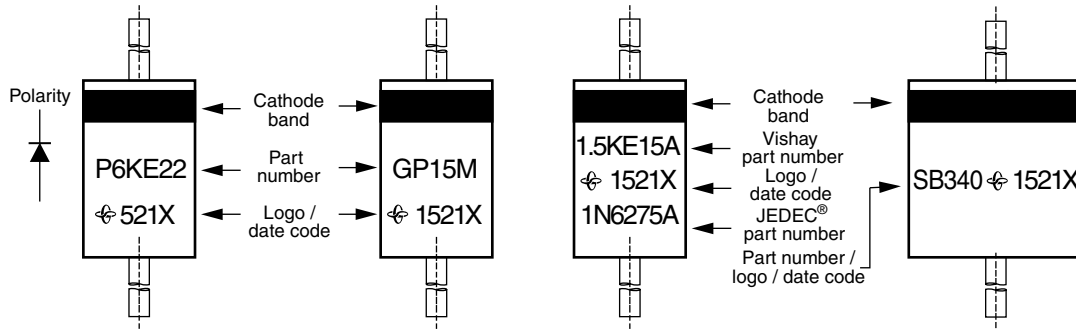


## Vishay General Semiconductor

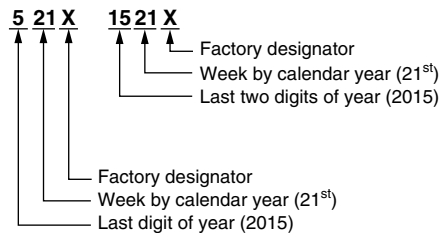
### AXIAL MARKING

Package: DO-204AL, DO-204AC, DO-201AD, GP20, 1.5KE, P600

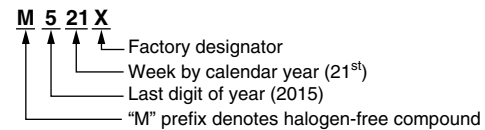
Examples:



#### DATE CODE (for RoHS-compliant products)

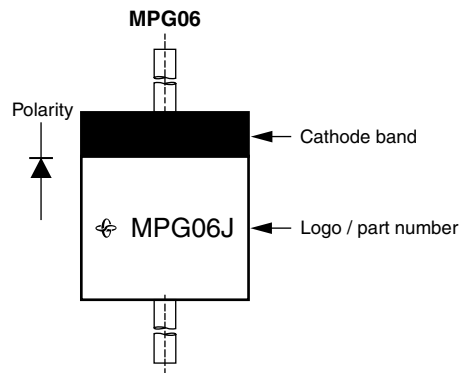


#### DATE CODE (for halogen-free products)



#### Notes

- (1) No cathode band marking for TVS bi-directional type
- (2) Date code per individual part number specification



PART NUMBER MARKING CODE		
TYPE	RoHS-COMPLIANT	HALOGEN-FREE
MPG06 series	MPG06x	M06x
RMPG06 series	RMPG06x	MR06x
UG06 series	UG06x	MUG06x
SB0x series	SB0x0	MSB0x0
TPMP06 series	T-x	MT-x

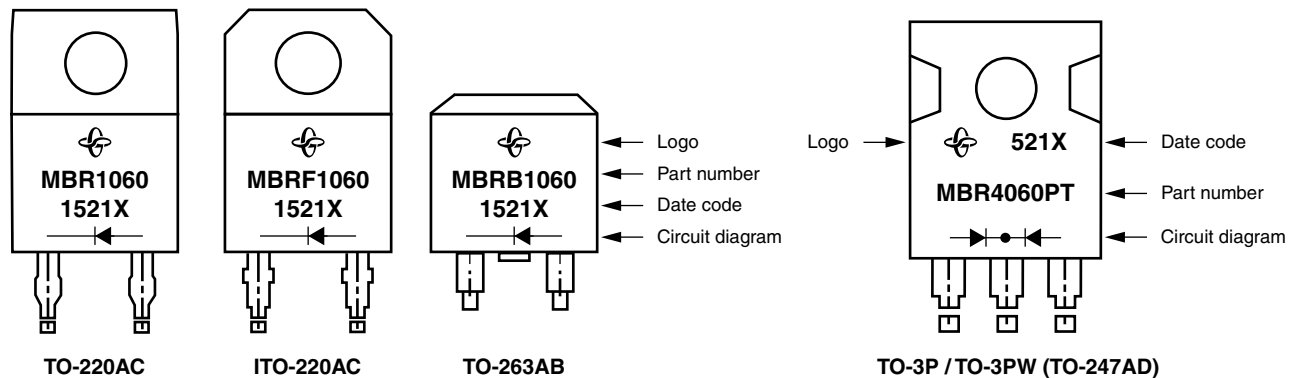
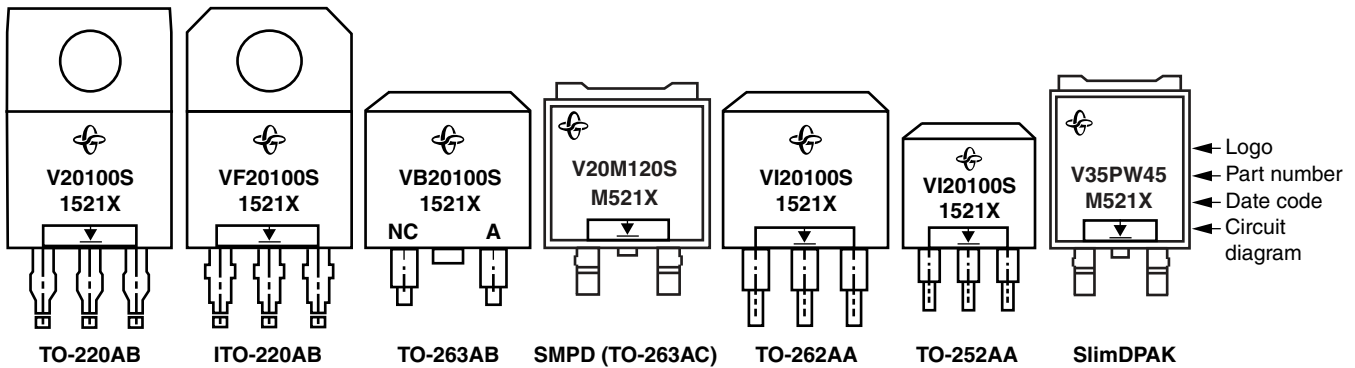
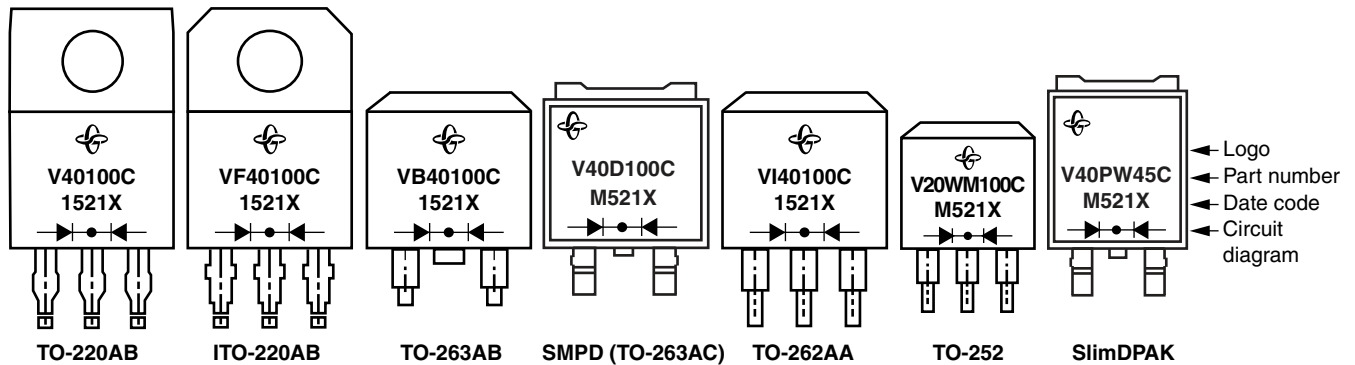
#### Note

- x - type code

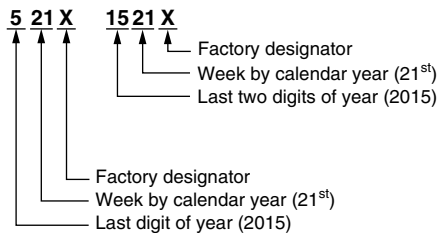


## POWER PACK MARKING

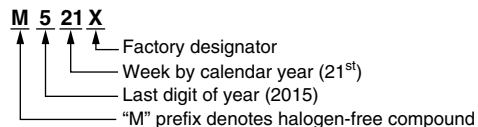
Examples:



### DATE CODE (for RoHS-compliant products)



### DATE CODE (for halogen-free products)



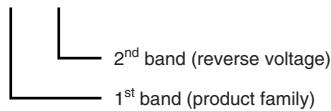
### Notes

(1) Date code per individual part number specification

## PLASTIC MELF AND MiniMELF MARKING

1. Package: GL41 (DO-213AB)

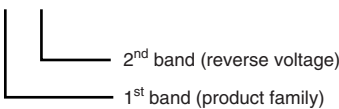
**MELF**  
2.5 mm x 4.9 mm



TYPE	1 <sup>st</sup> BAND	2 <sup>nd</sup> BAND
BYM10 series	white	gray: 50 V      violet: 1000 V
GL41 series	white	red: 100 V      white: 1300 V
BYM11 series	red	orange: 200 V      brown: 1600 V
RGL41 series	red	yellow: 400 V
BYM12 series	green	green: 600 V
EGL41 series	green	blue: 800 V
BYM13 series	orange	gray: 20 V orange: 40 V green: 60 V
SGL41 series	orange	red: 30 V yellow: 50 V
TGL41-xx	blue	
ZGL41-xx	red	

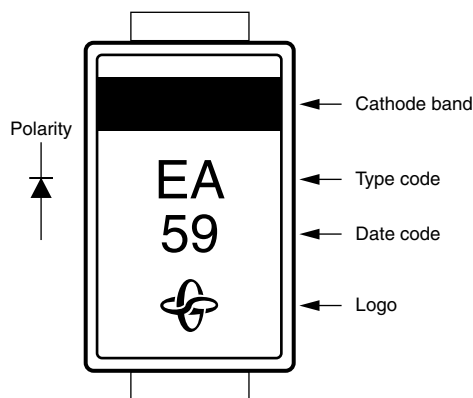
2. Package: GL34 (DO-213AA)

**MiniMELF**  
1.6 mm x 3.5 mm

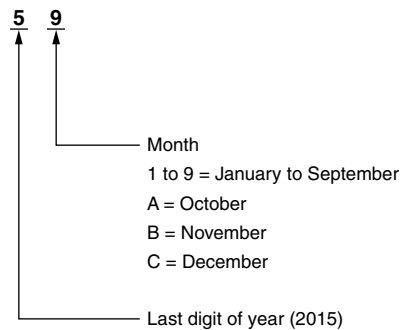


TYPE	1 <sup>st</sup> BAND	2 <sup>nd</sup> BAND
BYM07 series	white	gray: 50 V      brown: 300 V
GL34 series	white	red: 100 V      yellow: 400 V
EGL34 series	green	pink: 150 V      green: 600 V
RGL34 series	red	orange: 200 V      blue: 800 V

## GF1 (DO-214BA) MARKING



### DATE CODE

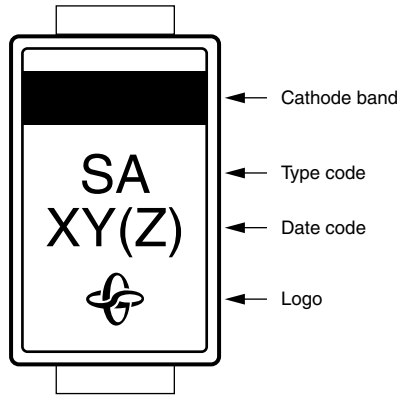


**Note**

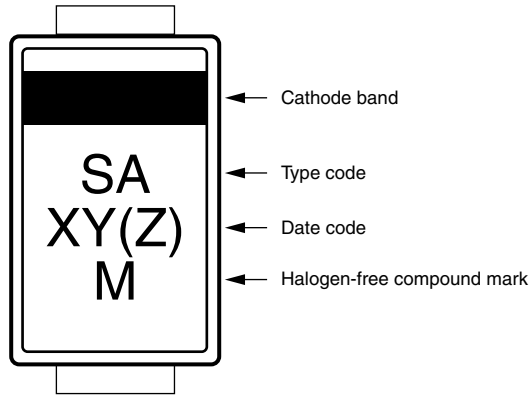
- Type code refers to individual datasheet

## SMA (DO-214AC), SMB (DO-214AA), SMC (DO-214AB), SlimSMA (DO-221AC), AND SMPA (DO-221BC) MARKING

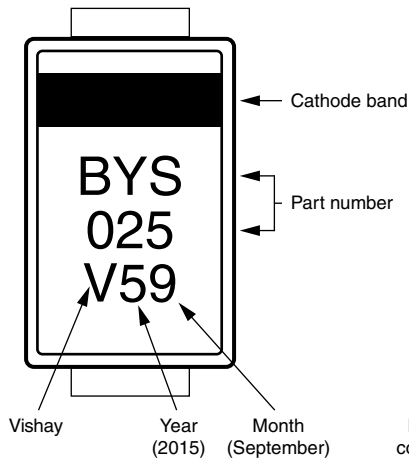
SMA, SMB, SMC



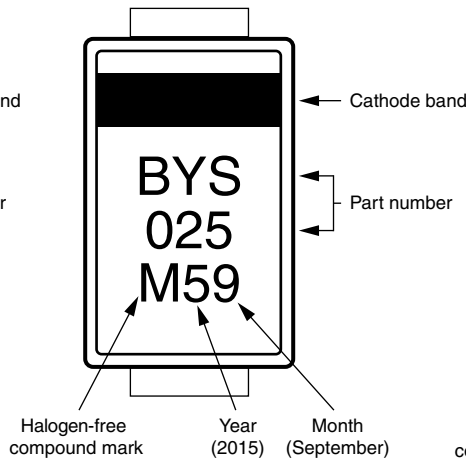
SMA, SMB, SMC, SlimSMA, SMPA



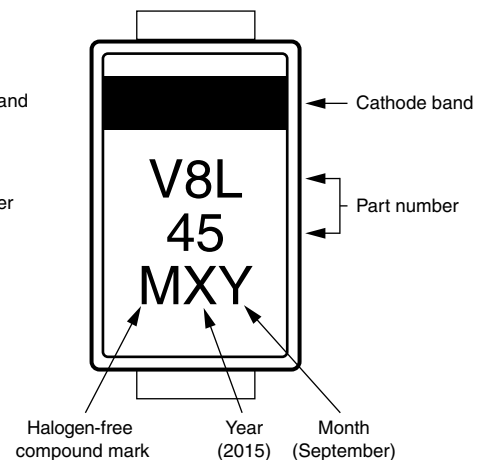
SMA with "BYS", "BYG" Prefix



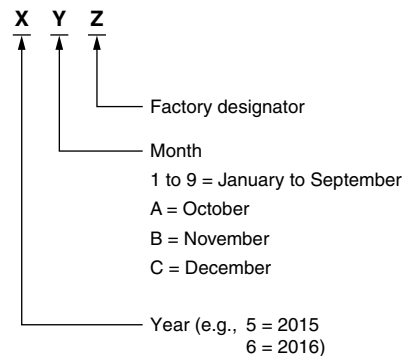
SMA with "BYS", "BYG" Prefix



SMA, SMB, SMC (for TMBS products with long core part number)



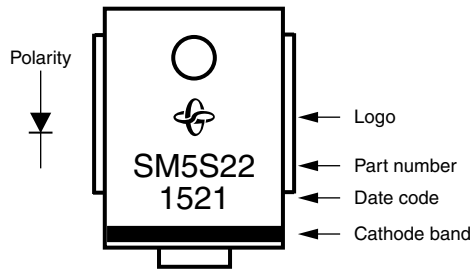
### DATE CODE



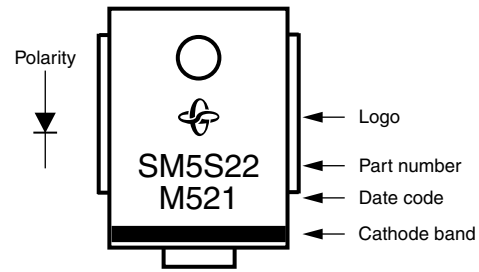
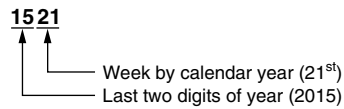
### Notes

- Type code refers to individual datasheet
- No cathode band marking for TVS bi-directional type
- "XY" 2 digits: For rectifiers and PAR TVS (TPSMA, TPSMB, TPSMC, and TA6F)
- "XYZ" 3 digits: For TRANSZORB® TVS and Power Voltage-Regulating Diodes
- Non "M" mark belongs to RoHS-compliant product

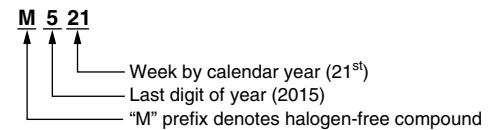
## DO-218AB MARKING



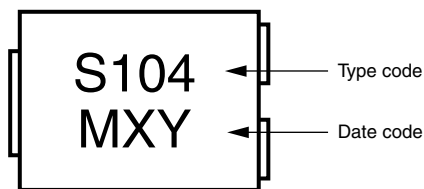
DATE CODE (for RoHS-compliant products)



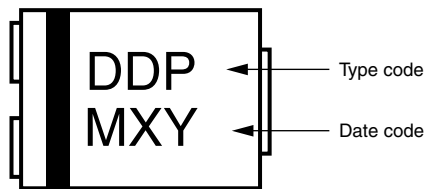
DATE CODE (for halogen-free products)



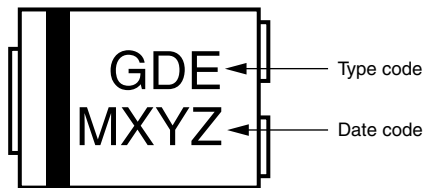
## SMPC (TO-277A) MARKING



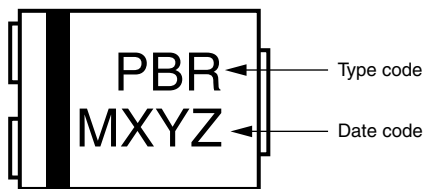
Polarity (for rectifiers)



Polarity (for PAR<sup>®</sup> TVS)

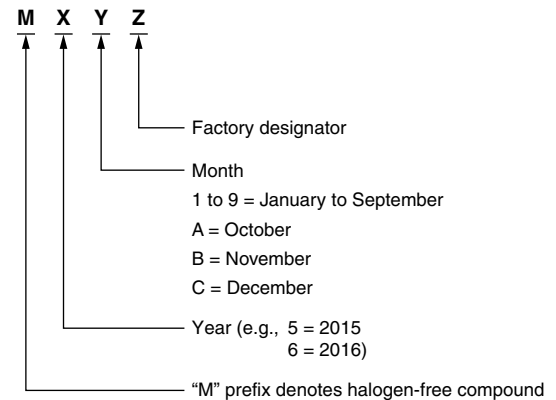


Polarity (for TRANSZORB<sup>®</sup> TVS of SMPCxxAN)



Polarity (for TRANSZORB<sup>®</sup> TVS of SMPCxxA)

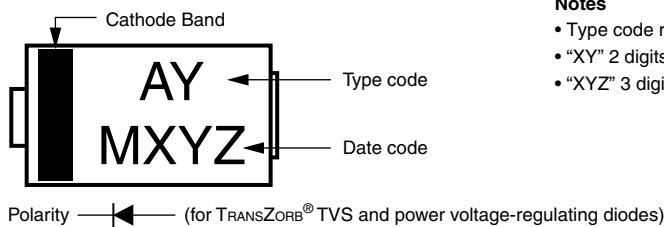
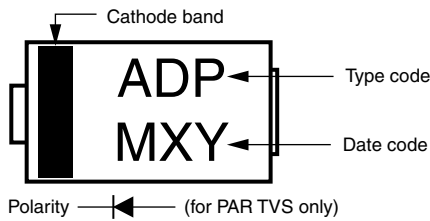
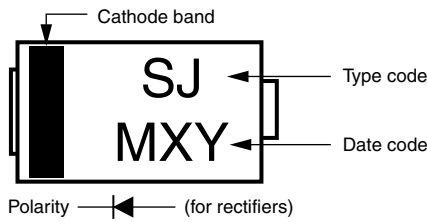
### DATE CODE



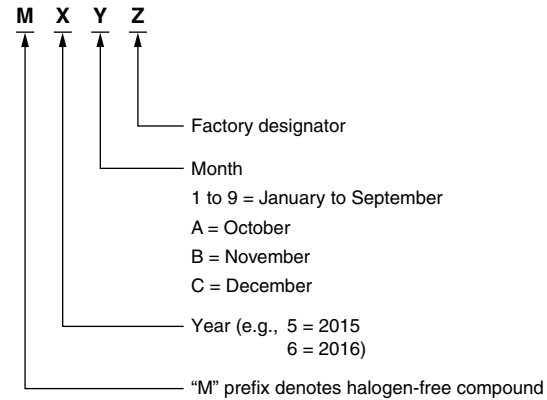
### Notes

- Type code refers to individual datasheet
- "XY" 2 digits: for rectifiers and PAR<sup>®</sup> TVS
- "XYZ" 3 digits: for TRANSZORB<sup>®</sup> TVS
- TRANSZORB<sup>®</sup> TVS: cathode band depends on actual polarity
- No cathode band marking for bi-directional PAR TVS type

## SMP (DO-220AA) MARKING



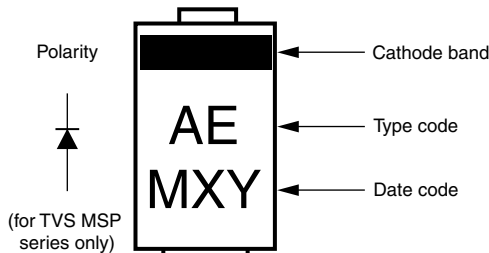
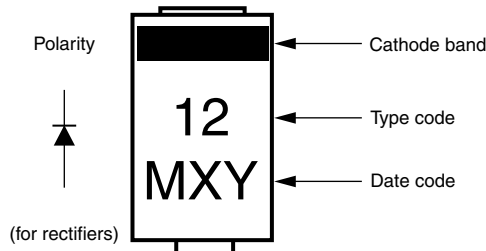
### DATE CODE



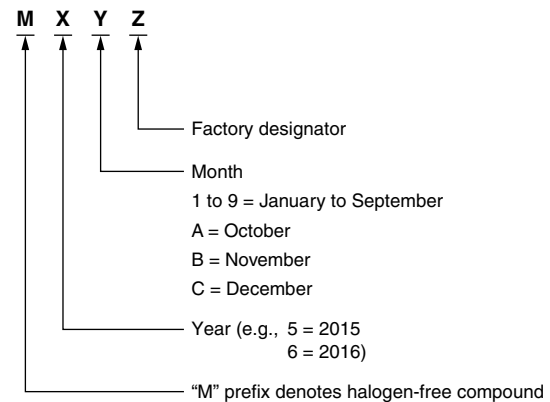
### Notes

- Type code refers to individual datasheet
- “XY” 2 digits: for rectifiers and PAR TVS
- “XYZ” 3 digits: for TRANSZORB® TVS and power voltage-regulating diodes

## MicroSMP MARKING



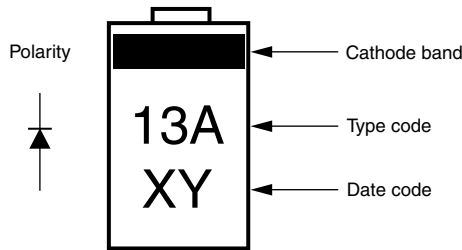
### DATE CODE



### Note

- Type code refers to individual datasheet

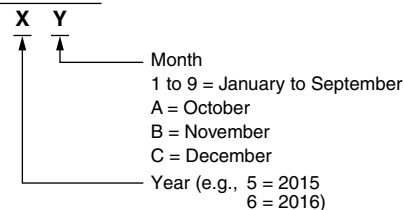
## MicroSMF MARKING



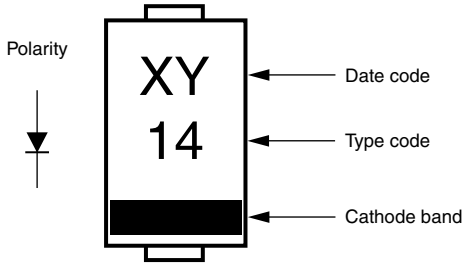
### Note

- Type code refers to individual datasheet

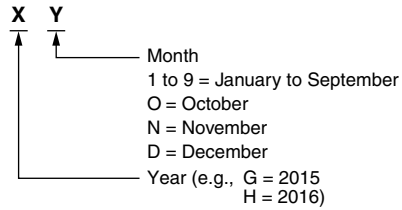
### DATE CODE



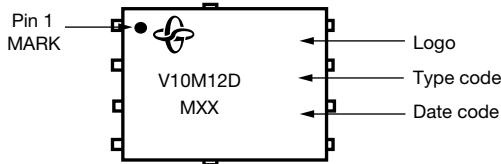
## SMF MARKING



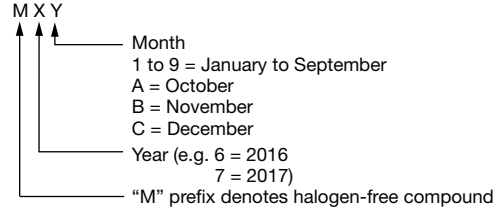
### DATE CODE



## FlatPAK 5 X 6 MARKING

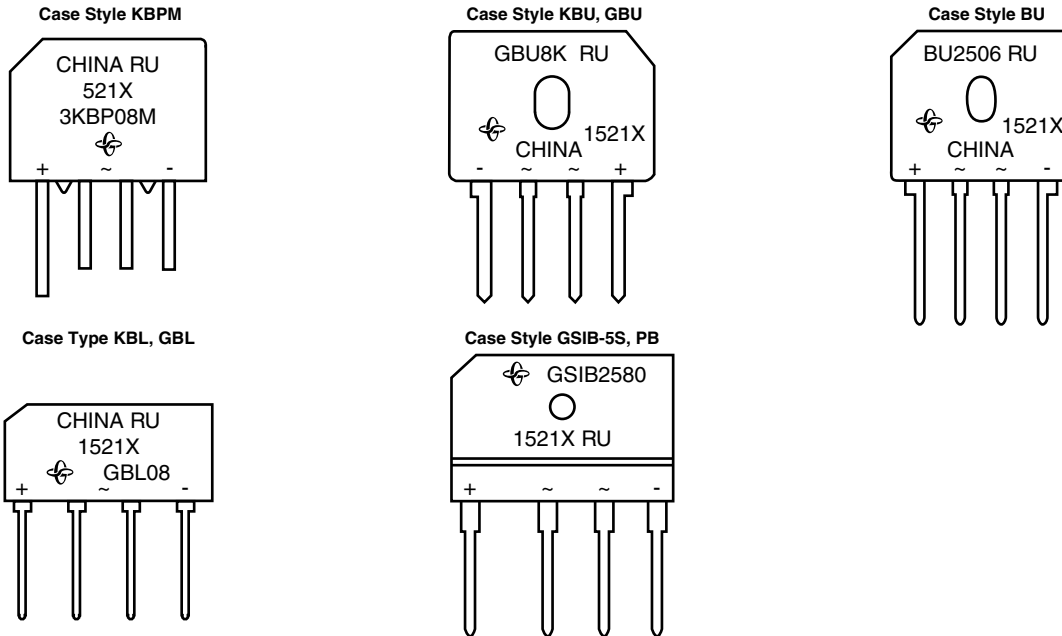


### DATE CODE



## BRIDGE MARKING

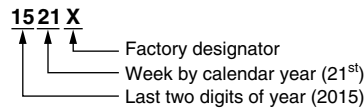
Single in-line bridge marking



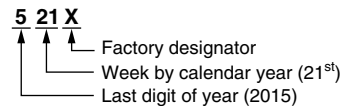
Logo :

Part number: 3KBP08M, BU2506 (example)  
 UL approved: RU  
 Location: China  
 Date code (e.g., 521X, 1521X or M521X)  
 Polarity: + Positive output terminal  
 - Negative output terminal  
 ~ Alternate

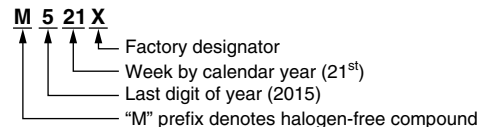
### DATE CODE (for RoHS-compliant products)



### DATE CODE (for RoHS-compliant products)



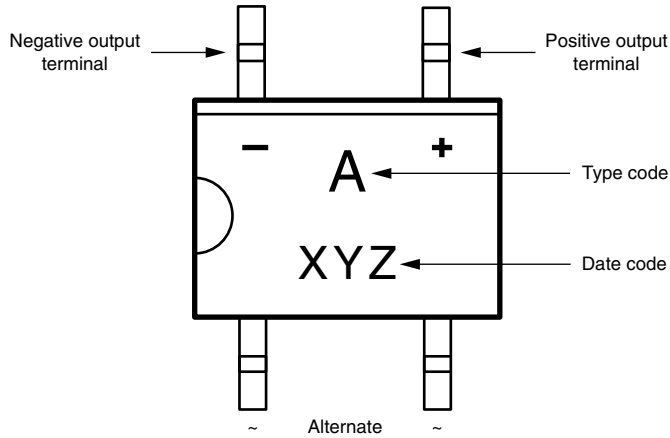
### DATE CODE (for halogen-free products)



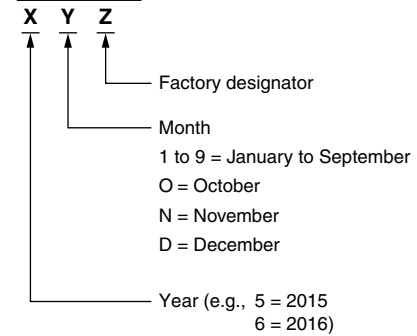
**Note**  
 (1) Date code per individual part number specification

## DUAL IN-LINE BRIDGE MARKING

MBS (TO-269AA) and MBM Mini-Bridge


 Polarity: + Positive output terminal  
 - Negative output terminal

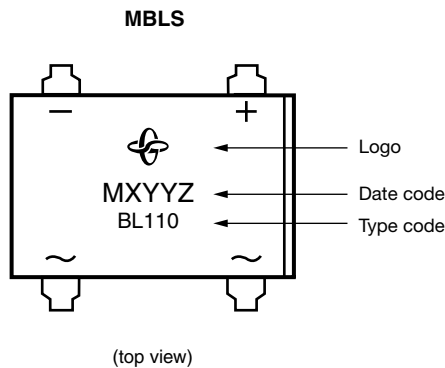
### DATE CODE



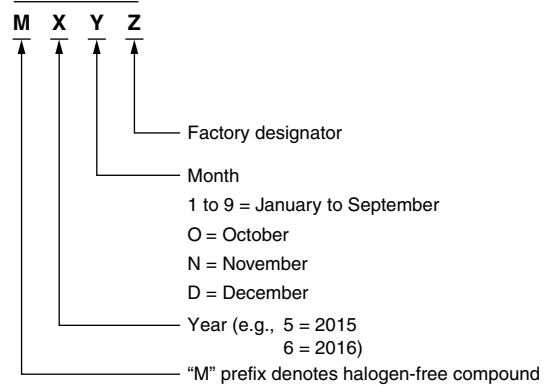
TYPE	TYPE CODE	TYPE	TYPE CODE
B2S, B2M	B2	MB4S, MB4M	4
B4S, B4M	B4	MB6S, MB6M	6
B6S, B6M	B6	RMB2S	2R
MB2S, MB2M	2	RMB4S	4R

### Note

- For halogen-free: add "Underline" below type code (e.g., 6)
- RMB2S and RMB4S only has type code without date code



### DATE CODE

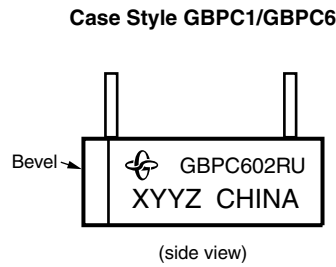
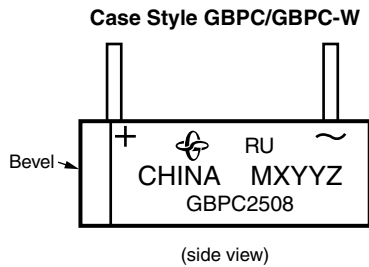
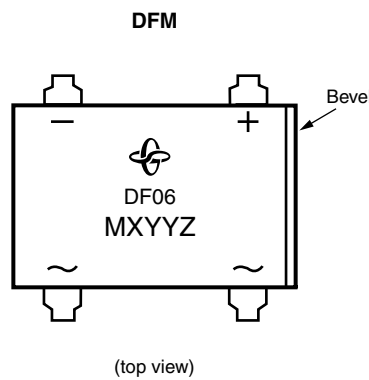
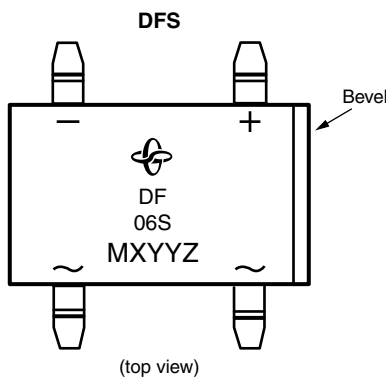
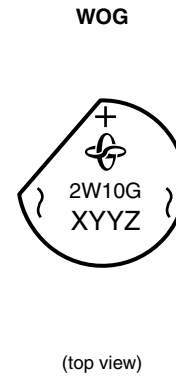
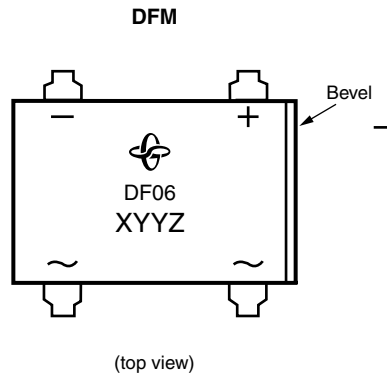
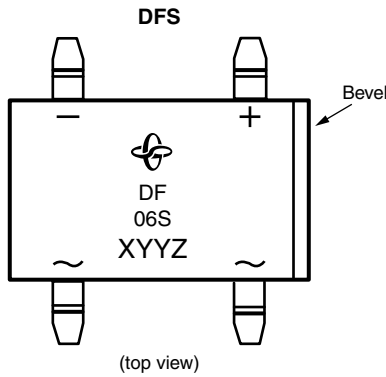


TYPE	TYPE CODE
MBL104S	BL104
MBL106S	BL106
MBL108S	BL108
MBL110S	BL110





DFS, DFM, and WOG



Logo:

Part number: GBPC2508 (example)  
 UL approved: RU  
 Location: China  
 Date code: (M)XYYZ  
 Polarity: + Positive output terminal  
 - Negative output terminal  
 ~ Alternate

### DATE CODE



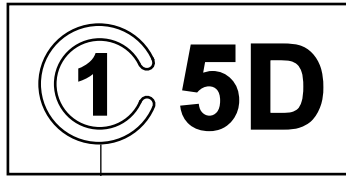
### Notes

- (1) Date code per individual part number specification
- (2) Non "M" mark belongs to RoHS-compliant product
- (3) "M" prefix denotes halogen-free compound

## Vishay Semiconductors (Small Signal Products)

### SMD MARKING

#### CLP0603 MARKING

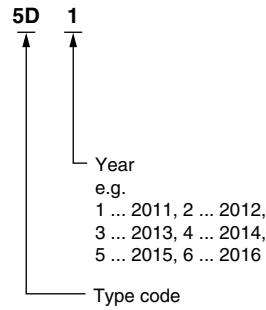


Cathode mark  
Opening of "C" indicates month,  
where wafer lot was started in fab,  
e.g. 3 o'clock means March

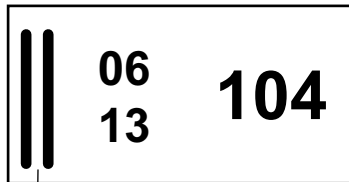
**Note**

- Type code refers to individual datasheet

#### DATE CODE



#### CLP1608 MARKING

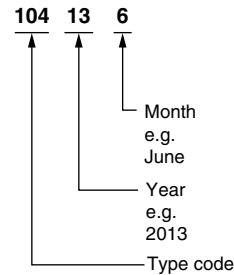


Cathode mark

**Note**

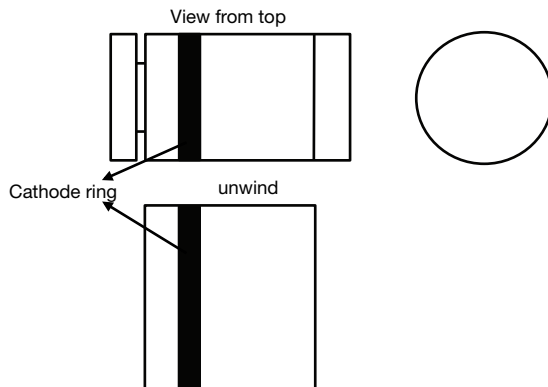
- Type code refers to individual datasheet

#### DATE CODE

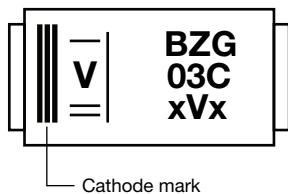


#### DO-213 MARKING

Marking: cathode

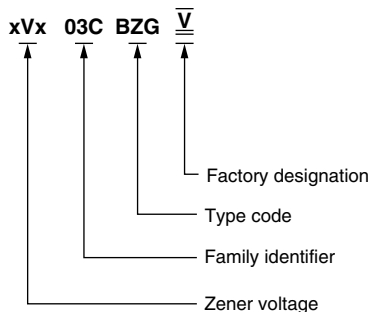


## DO-214AC MARKING

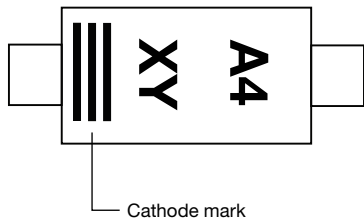


**Note**  
• Type code refers to individual datasheet

### DATE CODE

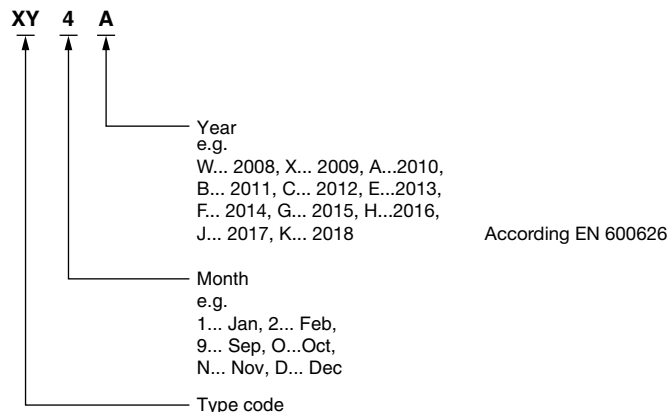


## SMF (DO-219AB) MARKING

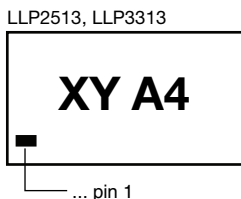
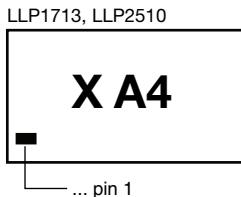
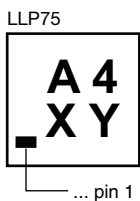


**Note**  
• Type code refers to individual datasheet

### DATE CODE

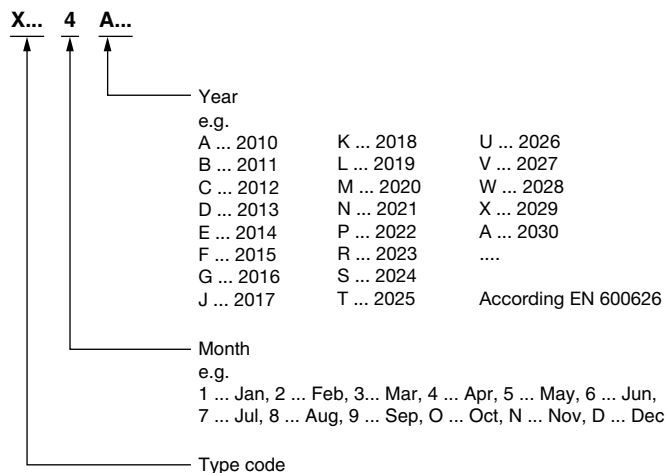


## LLP75, LLP1713, LLP2510, LLP2513, LLP3313 MARKING

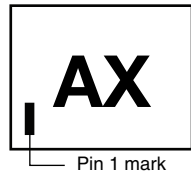
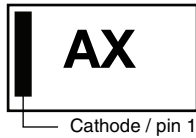


**Note**  
• Type code refers to individual datasheet

### DATE CODE



## LLP1006, LLP1010 MARKING



**Note**  
• Type code refers to individual datasheet

### DATE CODE

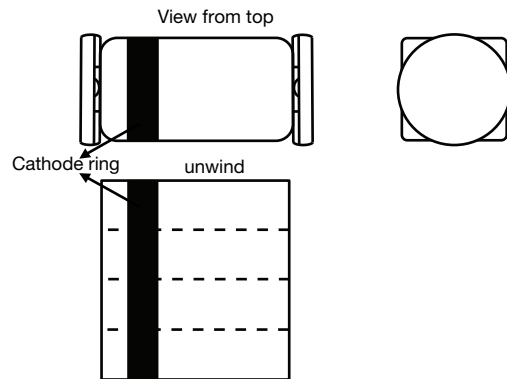
X... A...

Jan14-A, Feb14-B, Mar14-C, Apr14-D, May14-E, Jun14-F, Jul14-G, Aug14-H, Sep14-J, Oct14-K, Nov14-M, Dec14-N, Jan15-P, Feb15-Q, Mar15-R, Apr15-S, May15-T, Jun15-U, Jul15-V, Aug15-W, Sep15-X, Oct15-Y, Nov15-Z, Dec15- $\nu$ , Jan16- $\xi$ , Feb16- $\zeta$ , Mar16- $\eta$ , Apr16- $\theta$ , May16- $\iota$ , Jun16- $\kappa$ , Jul16- $\lambda$ , Aug16- $\mu$ , Sep16- $\nu$ , Oct16- $\xi$ , Nov16- $\zeta$ , Dec16- $\eta$ , Jan17- $\lambda$ , Feb17- $\mu$ , Mar17- $\nu$ , Apr17- $\xi$ , May17- $\zeta$ , Jun17-1, Jul17-2, Aug17-3, Sep17-4, Oct17-5, Nov17-6, Dec17-7, Jan18 = Jan14,.....

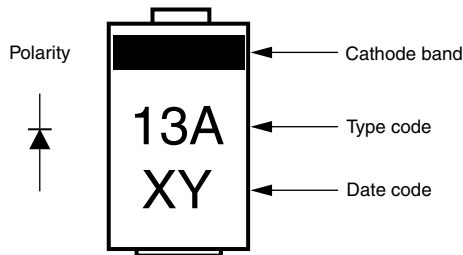
Type code

## MicroMELF MARKING

Marking: cathode



## MicroSMF MARKING



**Note**  
• Type code refers to individual datasheet

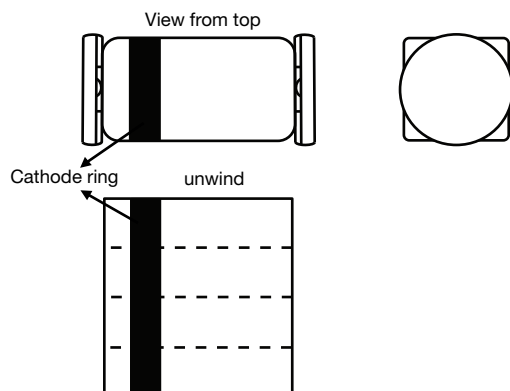
### DATE CODE

X Y

Month  
1 to 9 = January to September  
A = October  
B = November  
C = December  
Year (e.g., 5 = 2015  
6 = 2016)

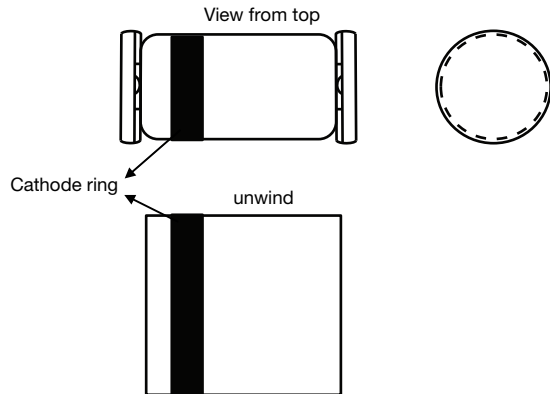
## QuadromELF MARKING

Marking: cathode



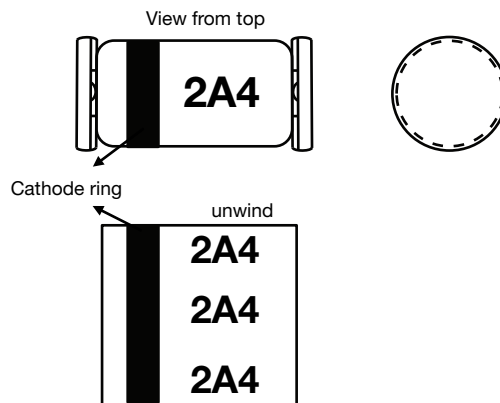
## MiniMELF (SOD-80) MARKING

Marking: cathode

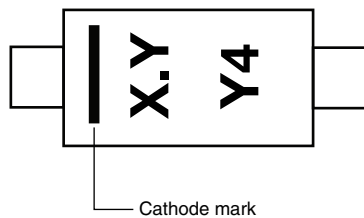


## MiniMELF (SOD-80) TLZ MARKING

Marking: type and cathode

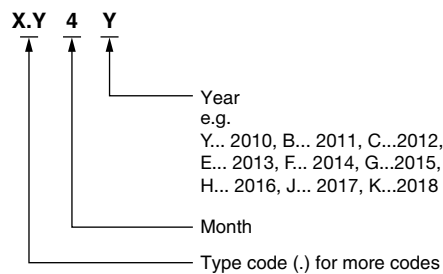


## SOD-123 MARKING



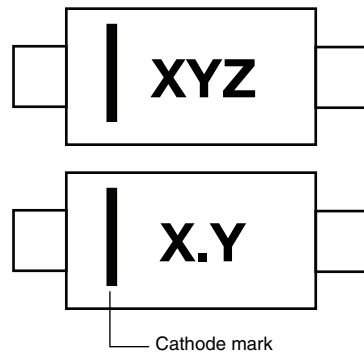
**Note**  
• Type code refers to individual datasheet

### DATE CODE

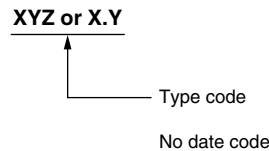


According to EN 600626

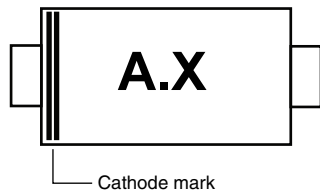
## SOD-323 MARKING



**Note**  
• Type code refers to individual datasheet

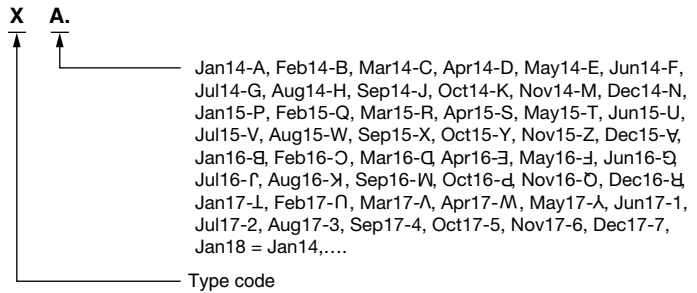


## SOD-523 MARKING

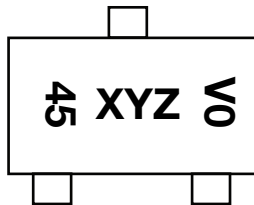


**Note**  
• Type code refers to individual datasheet

### DATE CODE

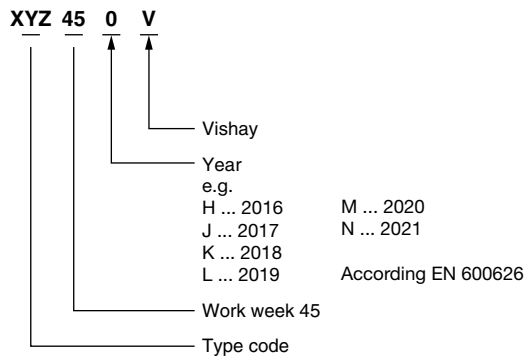


## SOT-23 MARKING

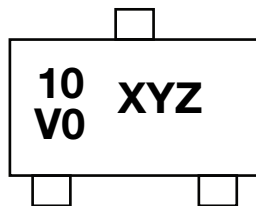


**Note**  
• Type code refers to individual datasheet

### DATE CODE

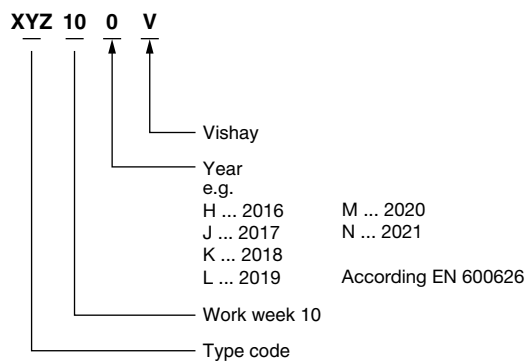


## SOT-3xx MARKING



**Note**  
• Type code refers to individual datasheet

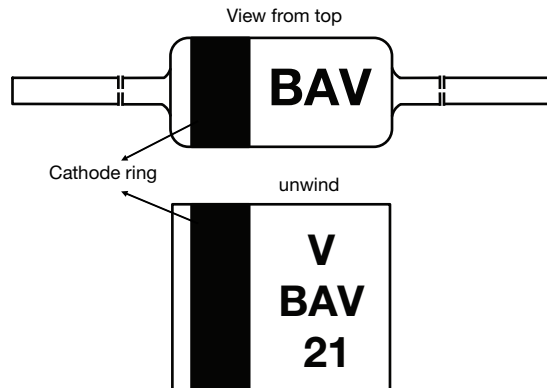
### DATE CODE



## AXIAL MARKING

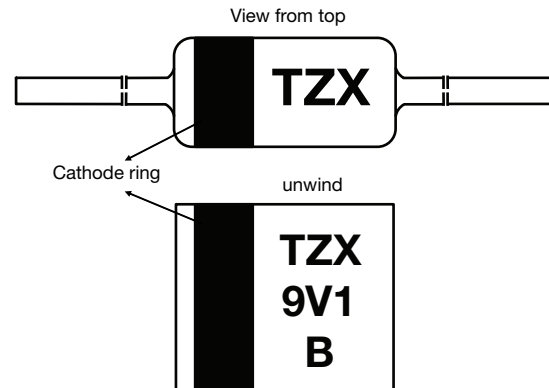
### DO-35 BAV, BAW, BAS MARKING

Marking: type and cathode



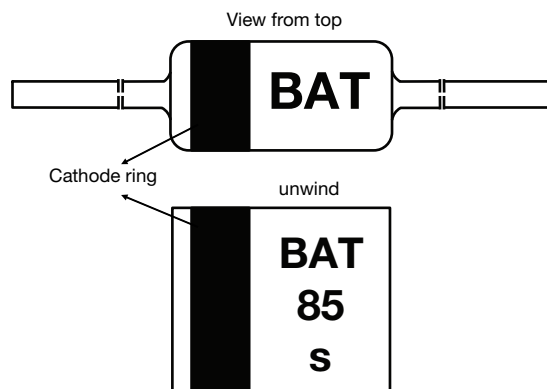
### DO-35 ZENER TZX MARKING

Marking: type and cathode



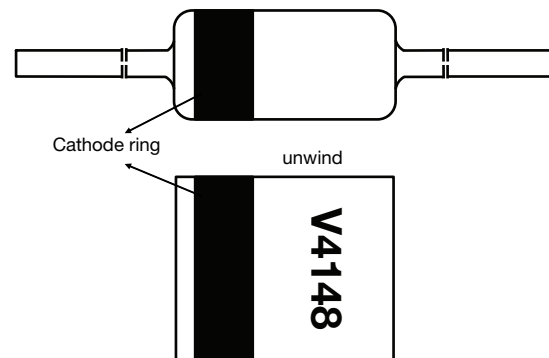
### DO-35 SCHOTTKY BAT, SD MARKING

Marking: type and cathode



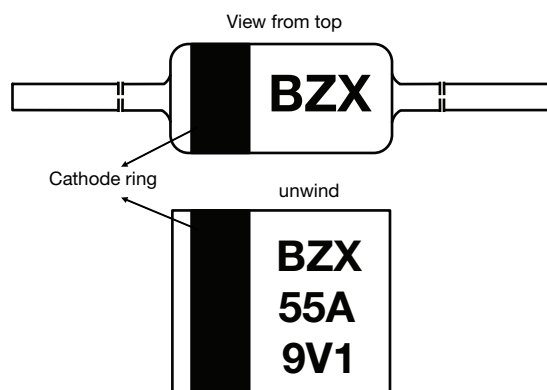
### DO-35 1N4148 MARKING

Marking: type and cathode



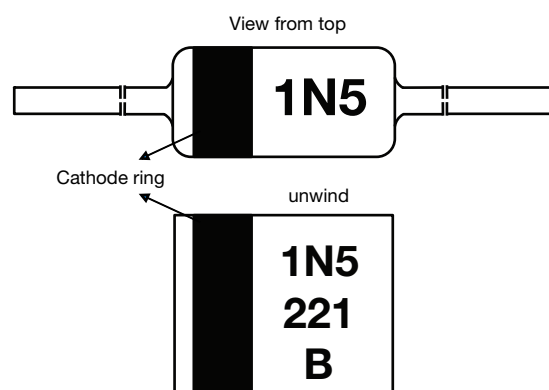
### DO-35 ZENER BZX55 MARKING

Marking: type and cathode



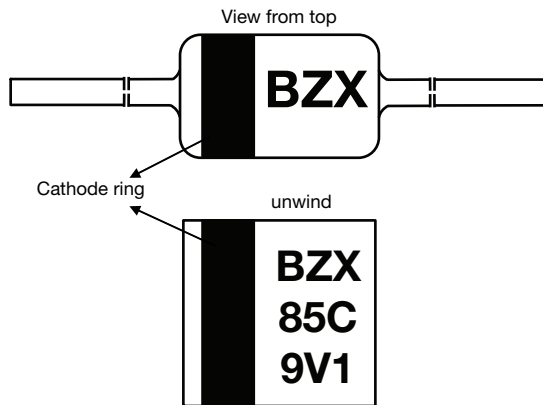
### DO-35 ZENER 1N52 MARKING

Marking: type and cathode



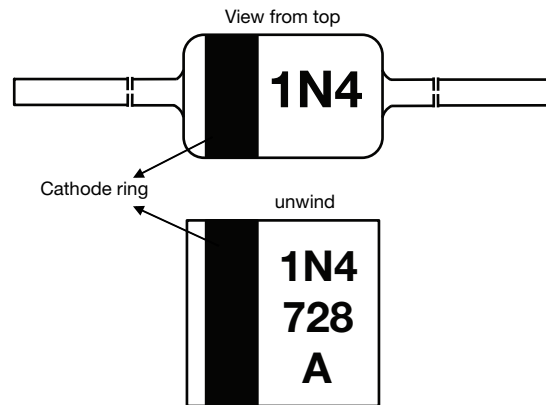
## DO-41 BZX85 MARKING

Marking: type and cathode



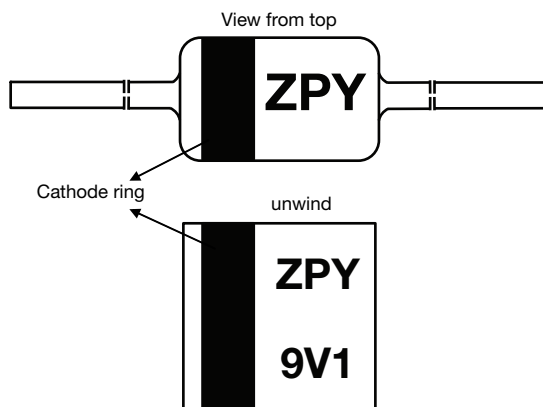
## DO-41 1N47xx MARKING

Marking: type and cathode

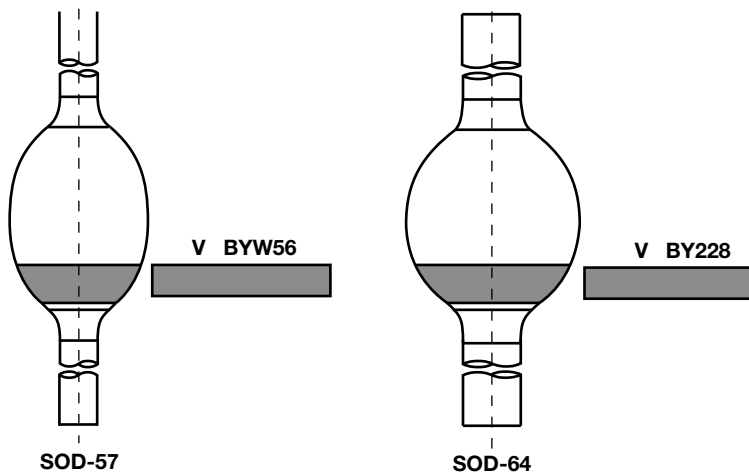


## DO-41 ZPY MARKING

Marking: type and cathode



## SOD-57, SOD-64 MARKING CODE



### SOD-57 and SOD-64 Avalanche diodes

The unique part number is followed by letter "V", means Vishay  
e.g. BYT62 V; SF1600 V or BYW83 V

### SOD-57 Zener diodes

BZT03Cxx - where "xx" means the Zener voltage (no "V" after the part number)

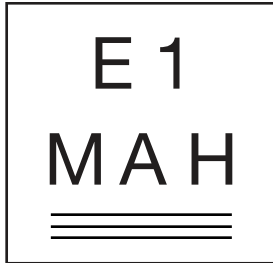
### SOD-64 Zener diodes

BZW03Cxx - where "xx" means the Zener voltage (no "V" after the part number)



## Vishay Semiconductors (High Power Products)

### SMF MARKING



#### 1<sup>st</sup> row

First digit: year (E = 2013; F = 2014; G = 2015; H = 2016...)

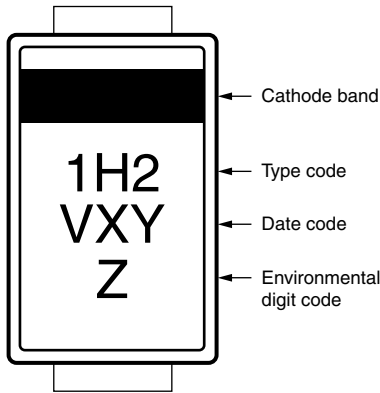
Second digit: month (1 = Jan; 2 = Feb; ... O = Oct; N = Nov; D = Dec)

#### 2<sup>nd</sup> row

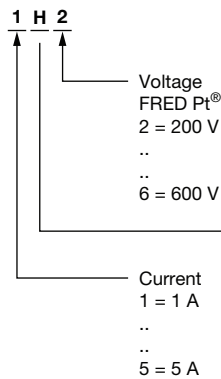
First digit: environmental digit

Second digit: current / voltage rating

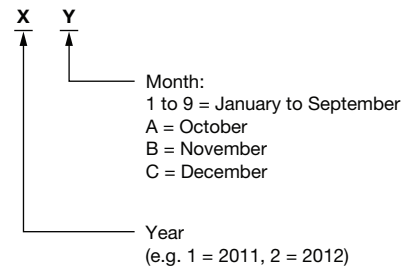
### SMA, SMB, SMC (FRED Pt<sup>®</sup>) MARKING



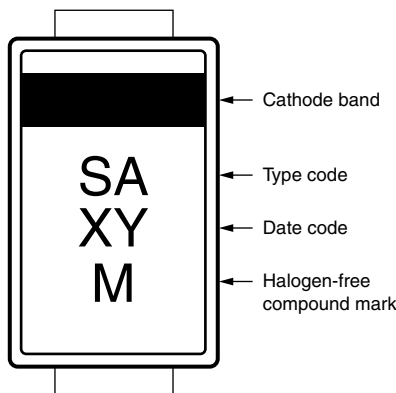
#### Type Code



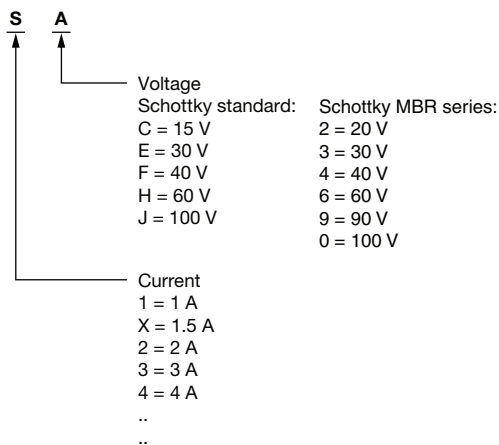
#### Date Code



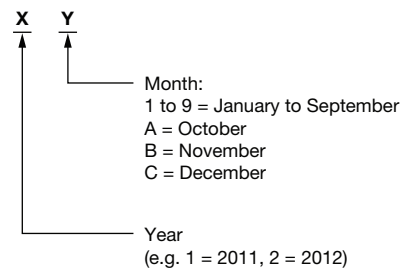
### SMA, SMB, SMC (Schottky) MARKING



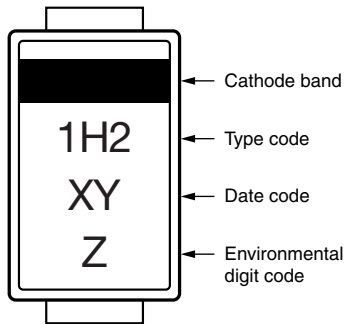
#### Type Code



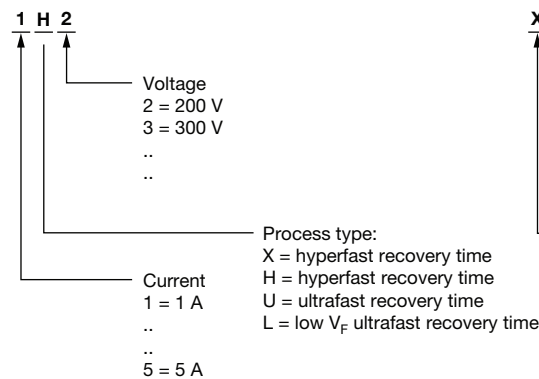
#### Date Code



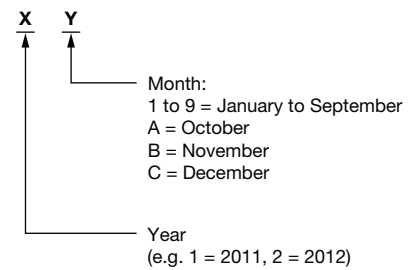
## SlimSMA MARKING



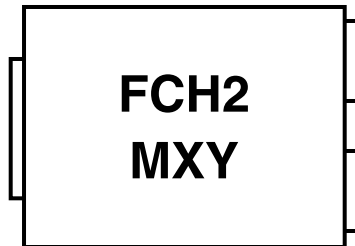
### Type Code



### Date Code

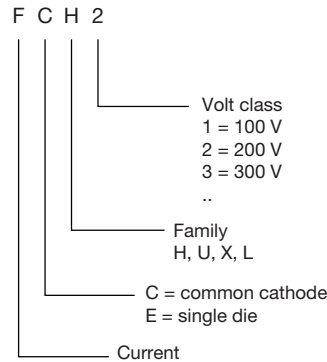


## SMPC MARKING

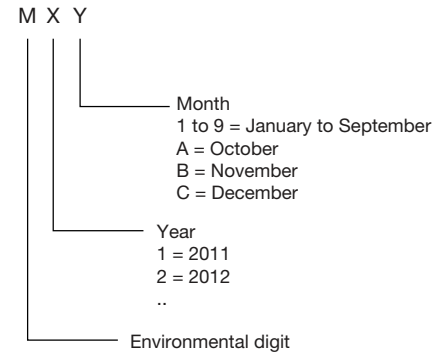


Polarity (For rectifiers)

### 1<sup>st</sup> row

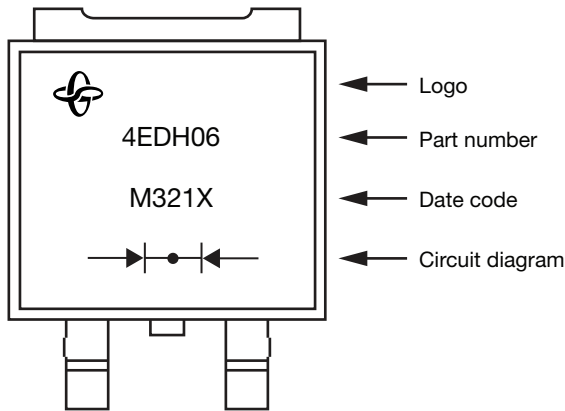


### 2<sup>nd</sup> row

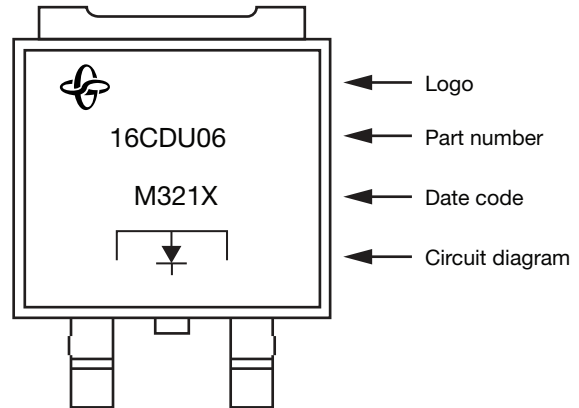


CURRENT	DIGIT	CURRENT	DIGIT
1	D	8	Q
2	F	7	R
3	G	10	S
4	J	11	T
5	K	12	V
6	N	13	Y
7	P	14	Z

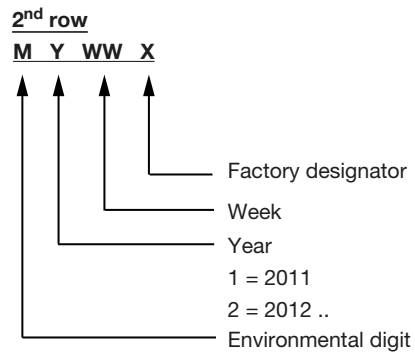
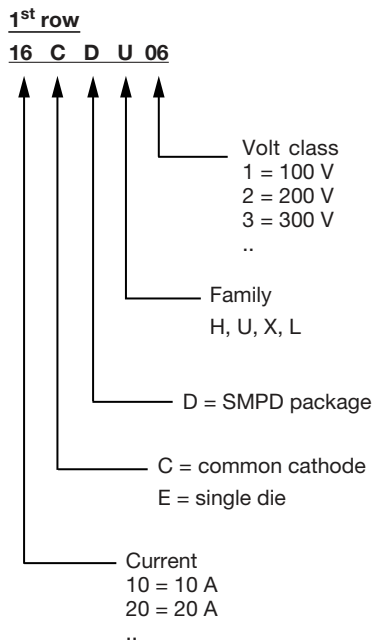
## SMPD MARKING



(For Dual Die Parts)



(For Single Die Parts)

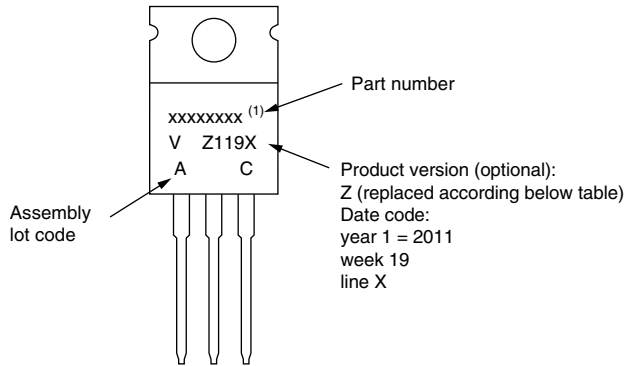




## TO-220 MARKING

Examples: TO-220AB, TO-220FP, TO-220AC E, TO-220AC-N3

### TO-220AB E

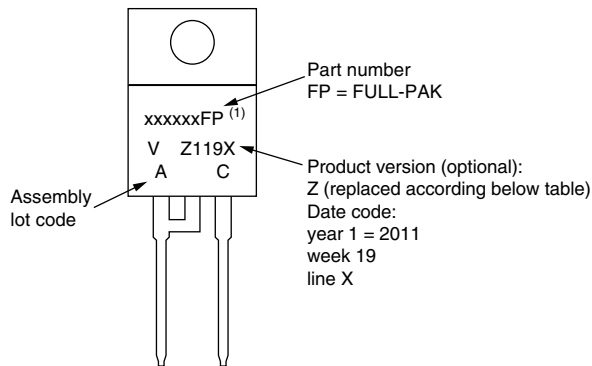


Example: This is a xxxxxxxx<sup>(1)</sup> with assembly lot code AC, assembled on WW 19, 2011 in the assembly line "X"

#### Note

<sup>(1)</sup> If part number contains "H" as last digit, product is AEC-Q101 qualified

### TO-220FP-N3

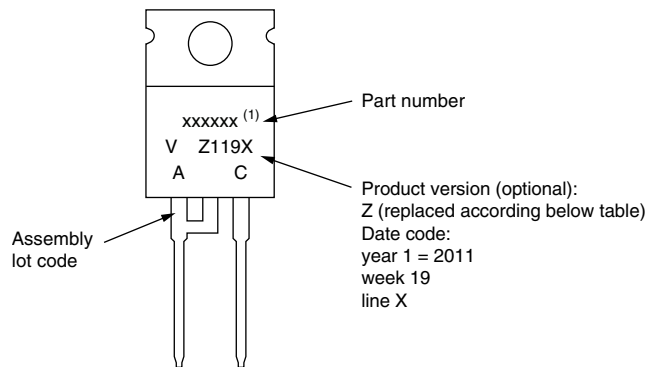


Example: This is a xxxxxxFP<sup>(1)</sup> with assembly lot code AC, assembled on WW 19, 2011 in the assembly line "X"

#### Note

<sup>(1)</sup> If part number contains "H" as last digit, product is AEC-Q101 qualified

### TO-220AC E, TO-220AC-N3



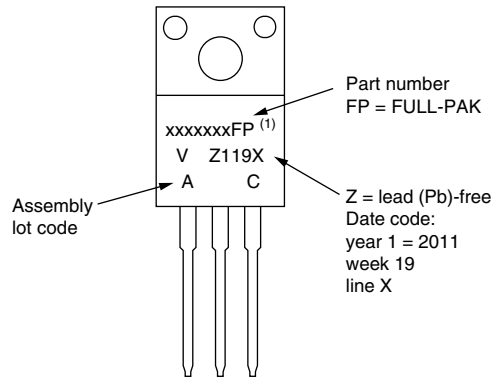
Example: This is a xxxxxx<sup>(1)</sup> with assembly lot code AC, assembled on WW 19, 2011 in the assembly line "X"

#### Note

<sup>(1)</sup> If part number contains "H" as last digit, product is AEC-Q101 qualified



## TO-220FP 2L

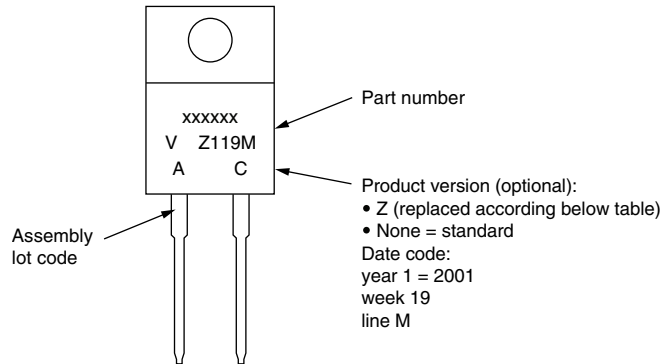


Example: This is a xxxxxxFP<sup>(1)</sup> with assembly lot code AC, assembled on WW 19, 2011 in the assembly line "X"

### Note

<sup>(1)</sup> If part number contains "H" as last digit, product is AEC-Q101 qualified

## TO-220AC 2L



Example: This is a xxxxxx with assembly lot code AC, assembled on WW 19, 2001 in the assembly line "M"

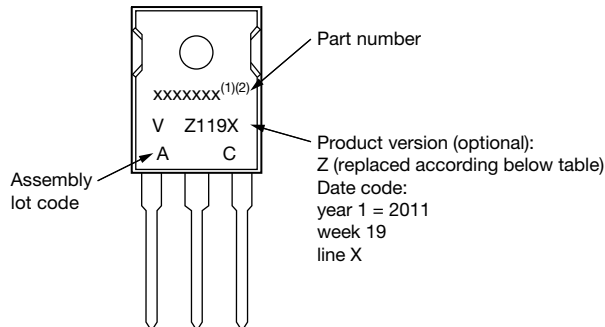
### Note

<sup>(1)</sup> If part number contains "H" as last digit, product is AEC-Q101 qualified

## TO-247 MARKING

Examples:

### TO-247, 3 pins long-lead

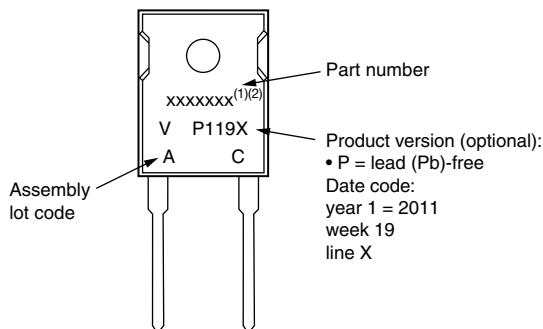


Example: This is a xxxxxxx<sup>(1)</sup> with assembly lot code AC, assembled on WW 19, 2011 in the assembly line "X"

### Notes

- (1) If part number contains "H" as last digit, product is AEC-Q101 qualified
- (2) If part number contains "L", product is long-lead

### TO-247, 2 pins long-lead

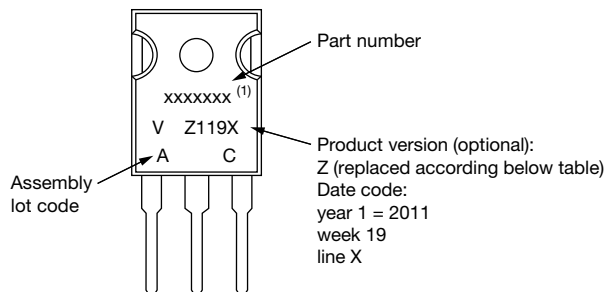


Example: This is a xxxxxxx with assembly lot code AC, assembled on WW 19, 2011 in the assembly line "X"

### Notes

- (1) If part number contains "H" as last digit, product is AEC-Q101 qualified
- (2) If part number contains "L", product is long-lead

### TO-247AC-N3

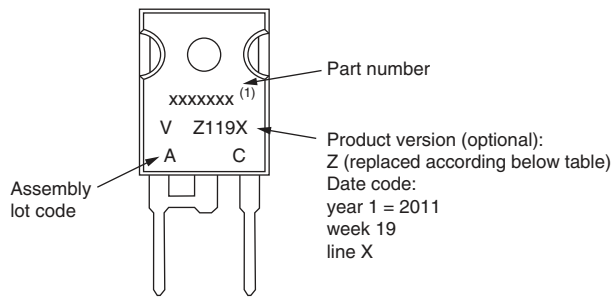


Example: This is a xxxxxxx<sup>(1)</sup> with assembly lot code AC, assembled on WW 19, 2011 in the assembly line "X"

### Note

- (1) If part number contains "H" as last digit, product is AEC-Q101 qualified

## TO-247AC-N3 modified

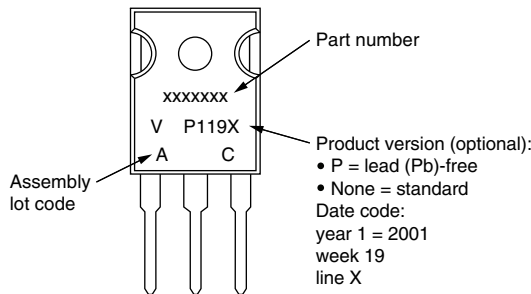


Example: This is a xxxxxx<sup>(1)</sup> with assembly lot code AC, assembled on WW 19, 2011 in the assembly line "X"

### Note

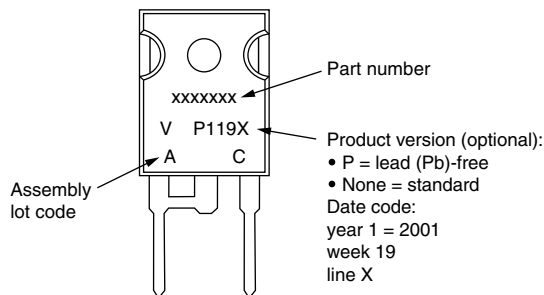
<sup>(1)</sup> If part number contains "H" as last digit, product is AEC-Q101 qualified

## TO-247 PbF



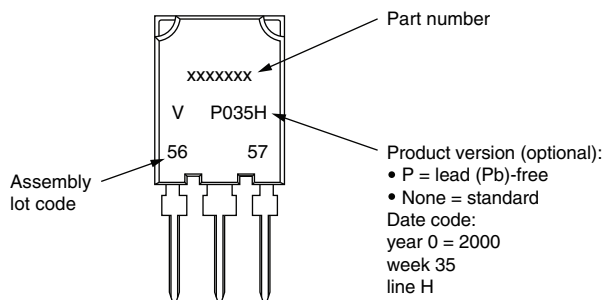
Example: This is a xxxxxx with assembly lot code AC, assembled on WW 19, 2001 in the assembly line "X"

## TO-247 PbF modified



Example: This is a xxxxxx with assembly lot code AC, assembled on WW 19, 2001 in the assembly line "X"

## Super TO-247

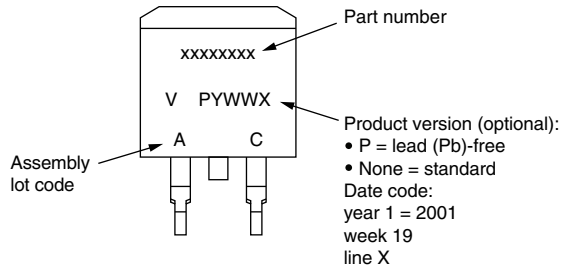


Example: This is a xxxxxx with assembly lot code 5657, assembled on WW 35, 2000 in assembly line "H"

## D<sup>2</sup>PAK (TO-263AA), TO-262 MARKING

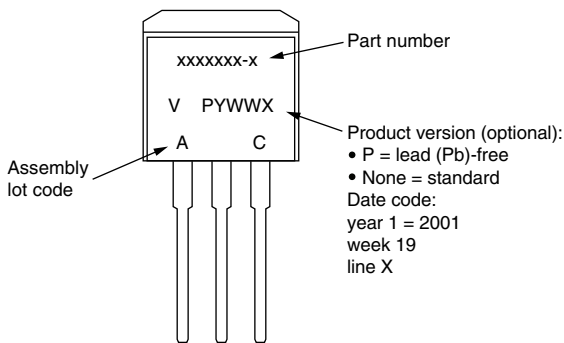
Examples:

### D<sup>2</sup>PAK E (TO-263AA)



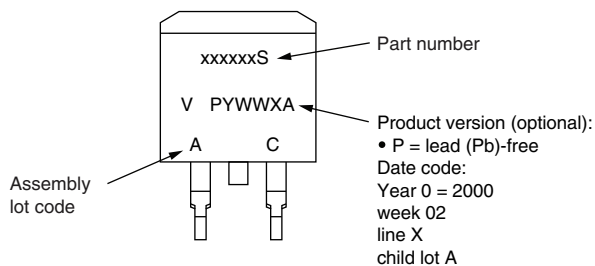
Example: This is a xxxxxxx with assembly lot code AC, assembled on WW 19, 2001 in the assembly line "X"

### TO-262AA



Example: This is a xxxxxx-x with assembly lot code AC, assembled on WW 19, 2001 in the assembly line "X"

### D<sup>2</sup>PAK (TO-263AA)



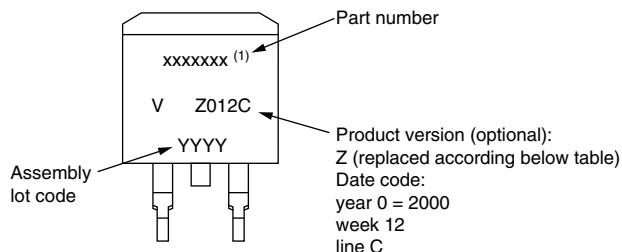
Example: This is a xxxxxxS with assembly lot code AC, assembled on WW 02, 2000



## D-PAK MARKING

Examples:

### D-PAK E

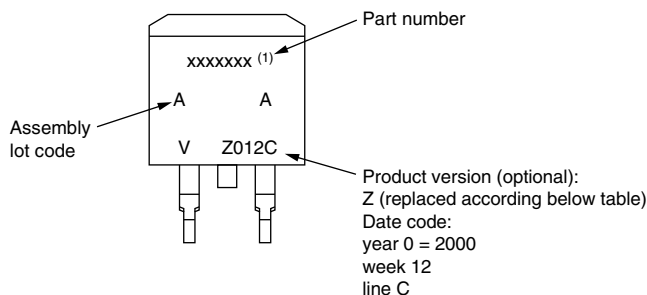


Example: This is a xxxxxxx with assembly lot code YYYY, assembled on WW 12, 2000 in the assembly line "C"

### Note

(1) If part number contains "H" as last digit, product is AEC-Q101 qualified

### D-PAK



Example: This is a xxxxxxx with assembly lot code YYYY, assembled on WW 12, 2000 in the assembly line "C"

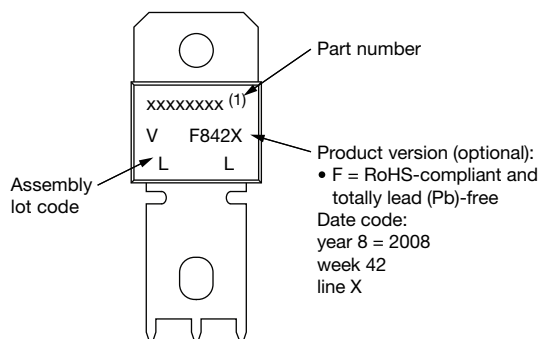
### Note

(1) If part number contains "H" as last digit, product is AEC-Q101 qualified

## PowerTab® MARKING

Examples:

### PowerTab®



Example: This is a xxxxxxx (1) with assembly lot code LL, assembled on WW 42, 2008 in the assembly line "X"

### Note

(1) If part number contains "H" as last digit, product is AEC-Q101 qualified