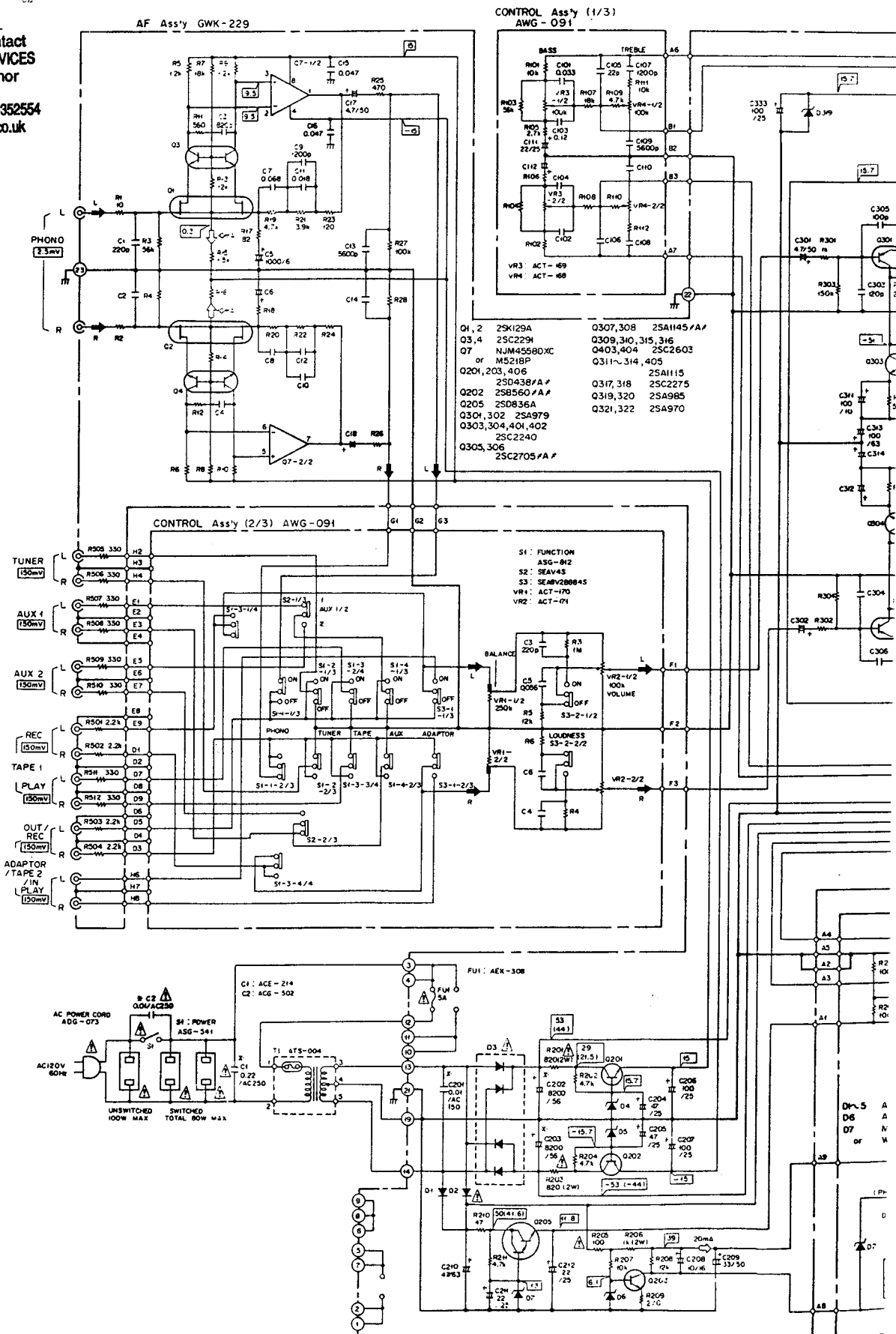


7. SCHEMATIC DIAGRAM

For Service Manuals Contact
MAURITRON TECHNICAL SERVICES
 8 Cherry Tree Rd, Chinnor
 Oxon OX9 4QY
 Tel: 01844-351694 Fax: 01844-352554
 Email: enquiries@mauritron.co.uk



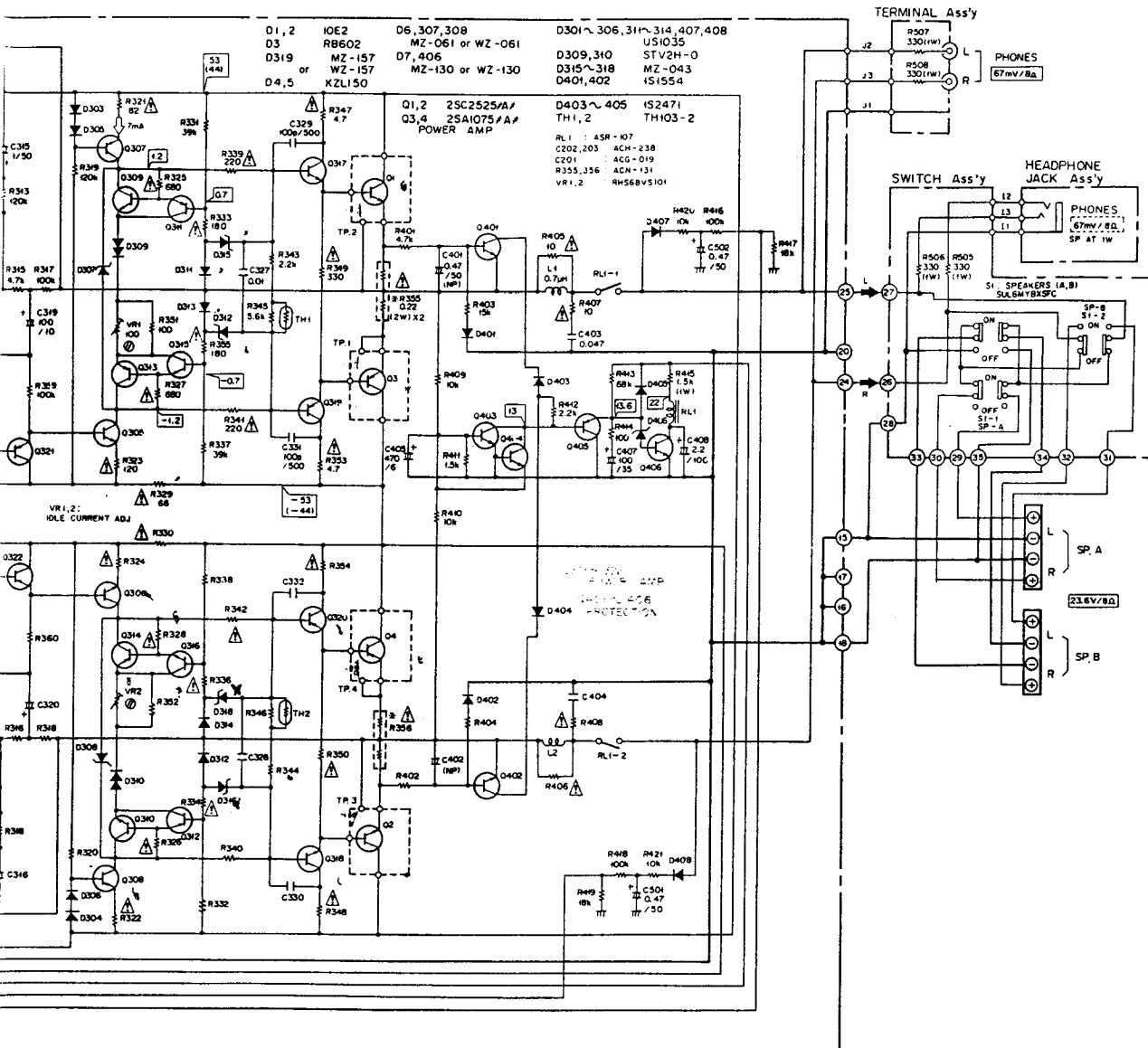
B

C

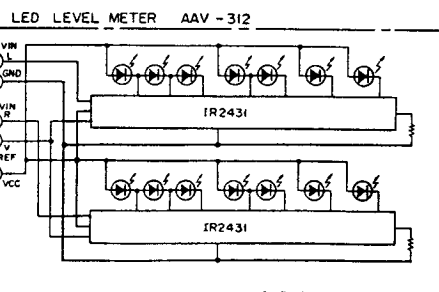
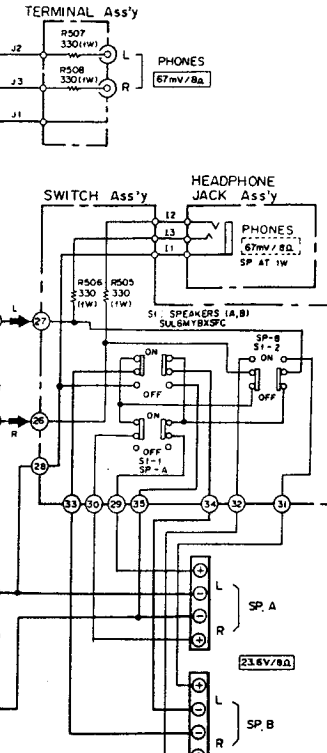
D

NOTE:

The indicated semiconductors are r only. Other alternative semiconductor are listed in the parts list.



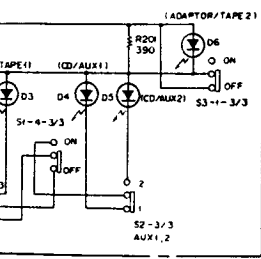
- D1, 2 10E2
- D3 RB602
- D319 or WZ-157
- D4, 5 KZL150
- D6, 307, 308 MZ-061 or WZ-061
- D7, 406 MZ-130 or WZ-130
- D301~306, 311~314, 407, 408 US1035
- D309, 310 STV2H-0
- D315~318 MZ-043
- D401, 402 IS1554
- Q1, 2 2SC2525A/A/
- Q3, 4 2SA1075/A/A/
- POWER AMP
- D403~405 IS2471
- TH1, 2 TH103-2
- RL1 : 4SR-107
- C202, 203 ACN-338
- C201 ACN-019
- R355, 356 ACN-131
- VR1, 2 RH56BV101



- RESISTORS.**
Indicated in Ω , $\text{k}\Omega$, $\text{M}\Omega$, $\frac{1}{2}\text{W}$, $\frac{1}{4}\text{W}$, $\frac{1}{8}\text{W}$: 5% tolerance unless otherwise noted k; k Ω .
M; M Ω , (F): $\pm 1\%$, (G): $\pm 2\%$, (K): $\pm 10\%$, (M): $\pm 20\%$ tolerance
- CAPACITORS.**
Indicated in capacity (μF)/voltage (V) unless otherwise noted
p; pF. Indication without voltage is 50V except electrolytic capacitor.
- VOLTAGE CURRENT.**
 Signal voltage at (70 W+ 70 W, 81) output (1kHz)
 DC voltage (V) at no input signal
Value in () is DC voltage at rated power.
 mA; DC current at no input signal
- OTHERS.**
 Signal route.
 Adjusting point.
The mark found on some component parts indicates the importance of the safety factor of the part. Therefore, when replacing, be sure to use parts of identical designation.
* marked capacitors and resistors have parts numbers.

- SWITCHES:**
- CONTROL Ass'y**
- S1-1 : FUNCTION (PHONE) ON - OFF
 - S1-2 : FUNCTION (TUNER) ON - OFF
 - S1-3 : FUNCTION (TAPE 1) ON - OFF
 - S1-4 : FUNCTION (CD/AUX1) ON - OFF
 - S2 : AUX 1, 2 AUX1 - AUX 2
 - S3-1 : ADAPTOR/TAPE 2 ON - OFF
 - S3-2 : LOUDNESS ON - OFF
- SWITCH Ass'y**
- S1-1 : SPEAKER A ON - OFF
 - S1-2 : SPEAKER B ON - OFF
- OTHERS**
- S1 : POWER ON - OFF
- The underlined indicates the switch position.

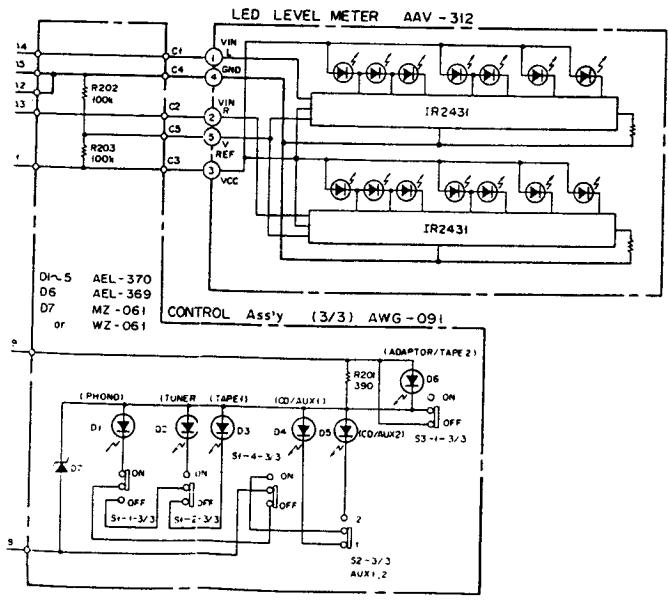
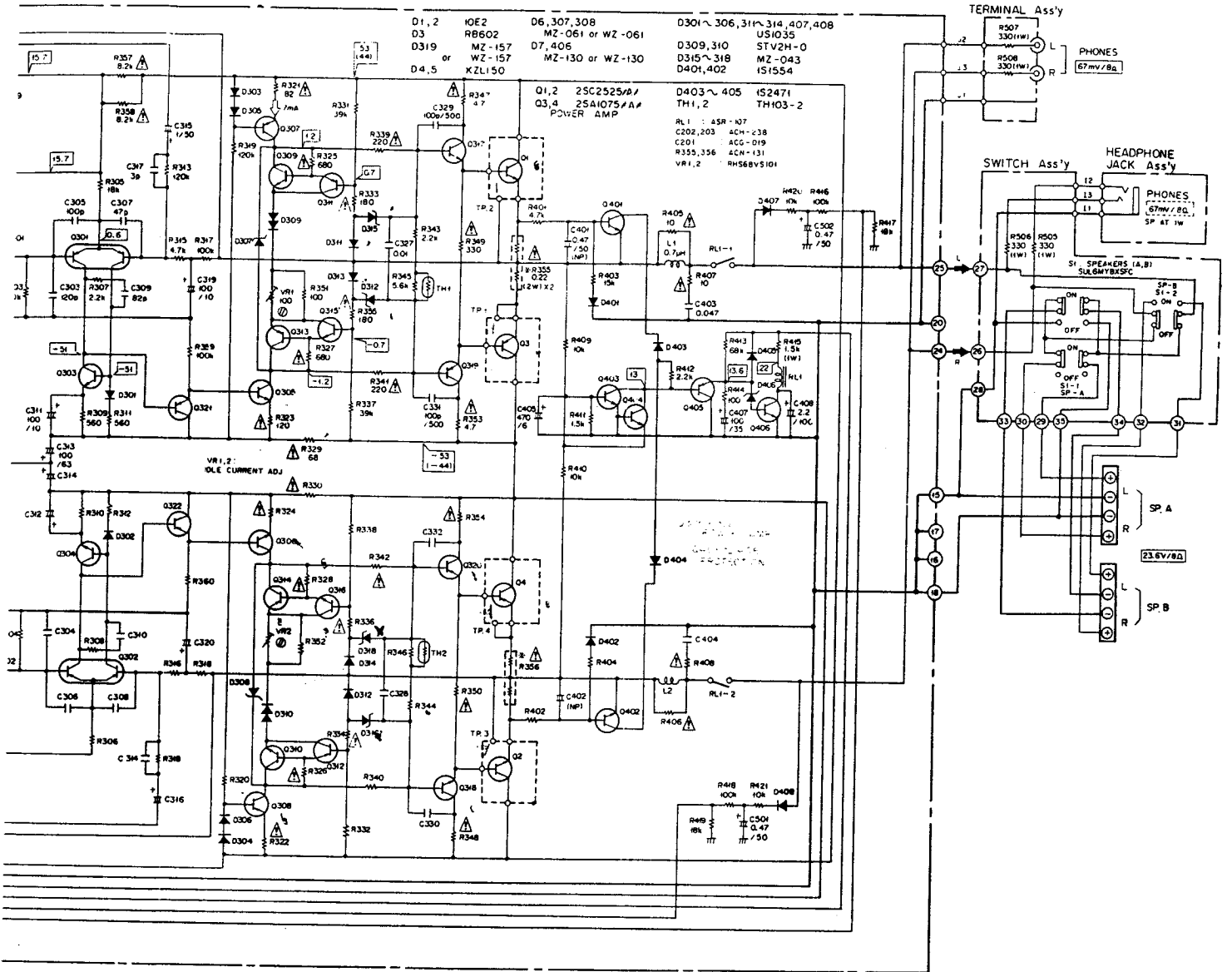
ROL Ass'y (3/3) AWG-091



This is the basic schematic diagram, but the actual circuit may vary due to improvements in design.

For Service Manuals Contact MAURITRON TECHNICAL SERVICES 8 Cherry Tree Rd, Chinnor Oxon OX9 4QY Tel:- 01844-351694 Fax:- 01844-352554 Email:- enquiries@mauritron.co.uk

NOTE:
The indicated se
only. Other altern
are listed in the pa.



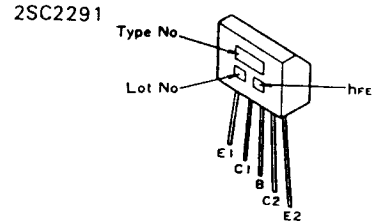
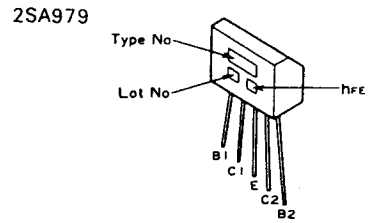
- RESISTORS.**
Indicated in Ω, ¼W, ½W, ±5% tolerance unless otherwise noted k; kΩ, M; MΩ, (F); ±1% (G); ±2% (K); ±10% (M); ±20% tolerance
 - CAPACITORS:**
Indicated in capacity (μF)/voltage (V) unless otherwise noted p; pF. Indication without voltage is 50V except electrolytic capacitor.
 - VOLTAGE CURRENT.**
V: Signal voltage at (70 W+ 70 W, 8Ω) output (1kHz)
E: DC voltage (V) at no input signal
Value in [] is DC voltage at rated power
mA: DC current at no input signal
 - OTHERS:**
→: Signal route.
⊕: Adjusting point.
⊗: mark found on some component parts indicates the importance of the safety factor of the part. Therefore, when replacing, be sure to use parts of identical designation.
⊗: marked capacitors and resistors have parts numbers.
- This is the basic schematic diagram, but the actual circuit may vary due to improvements in design.

- SWITCHES:**
- CONTROL Ass'y
- S1-1: FUNCTION (PHONO) ON - OFF
 - S1-2: FUNCTION (TUNER) ON - OFF
 - S1-3: FUNCTION (TAPE 1) ON - OFF
 - S1-4: FUNCTION (CD/AUX 1) ON - OFF
 - S2: AUX 1, 2 AUX1 - AUX2
 - S3-1: ADAPTOR/TAPE 2 ON - OFF
 - S3-2: LOUDNESS ON - OFF
- SWITCH Ass'y
- S1-1: SPEAKER A ON - OFF
 - S1-2: SPEAKER B ON - OFF
- OTHERS
- S1: POWER ON - OFF

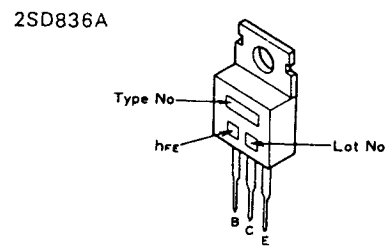
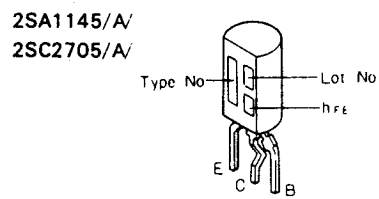
The underlined indicates the switch position.

External Appearance of Transistors and IC's

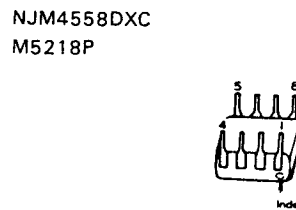
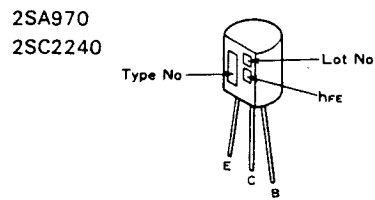
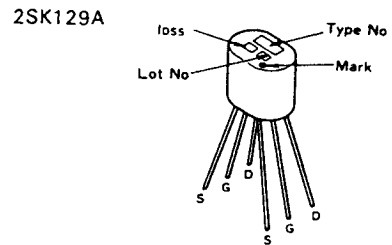
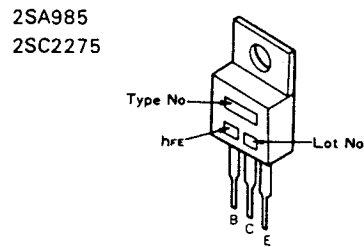
ductors are representative ones
semiconductors may be used and



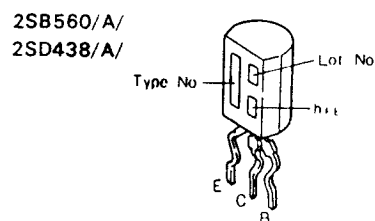
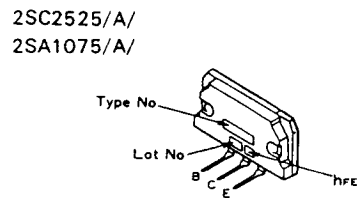
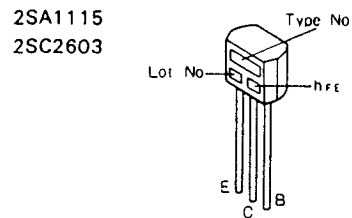
A



B



C



D