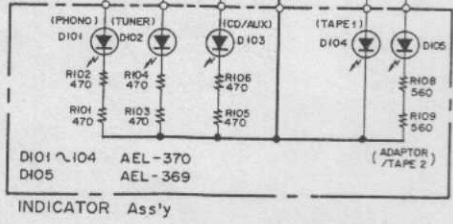
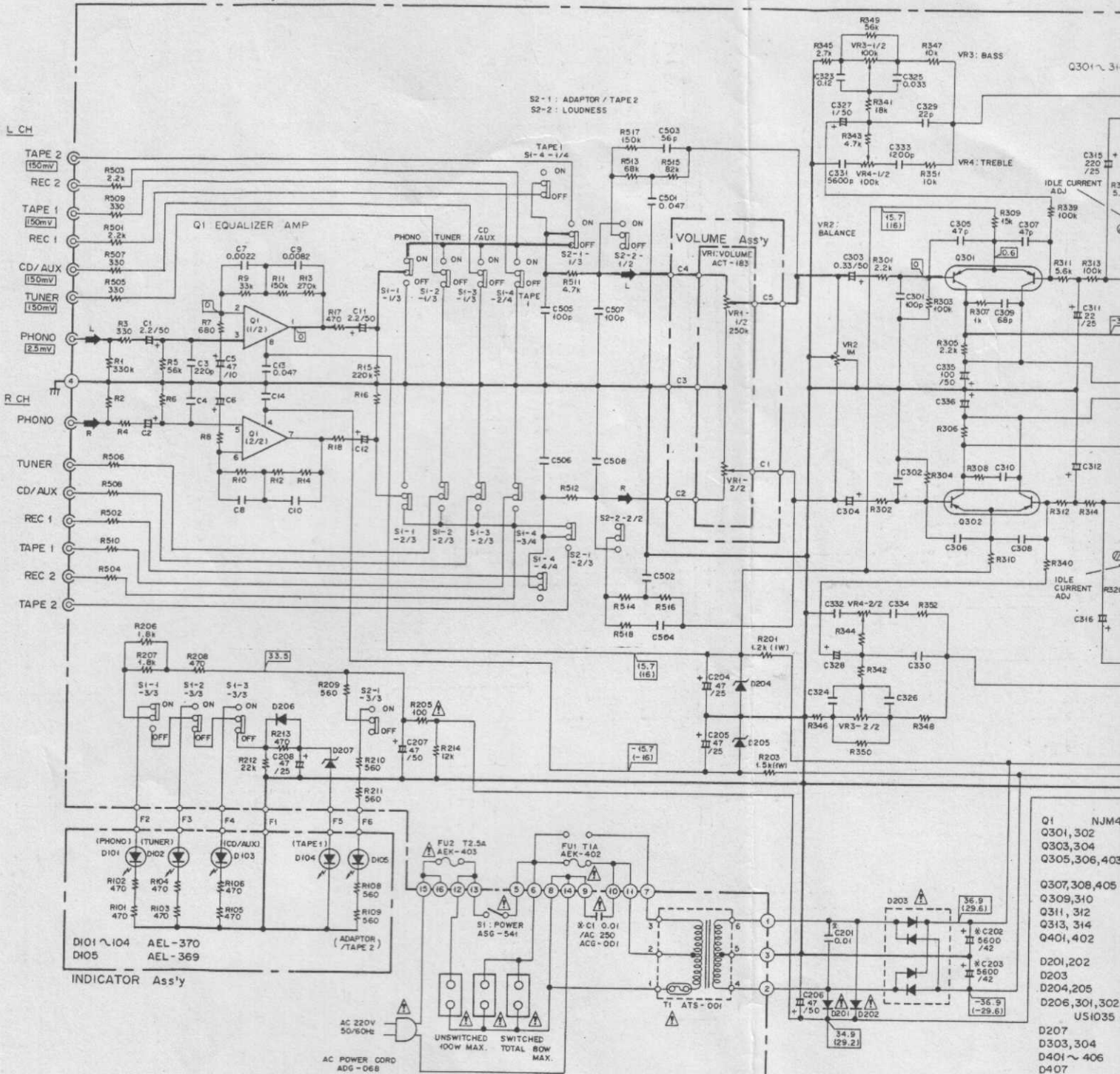
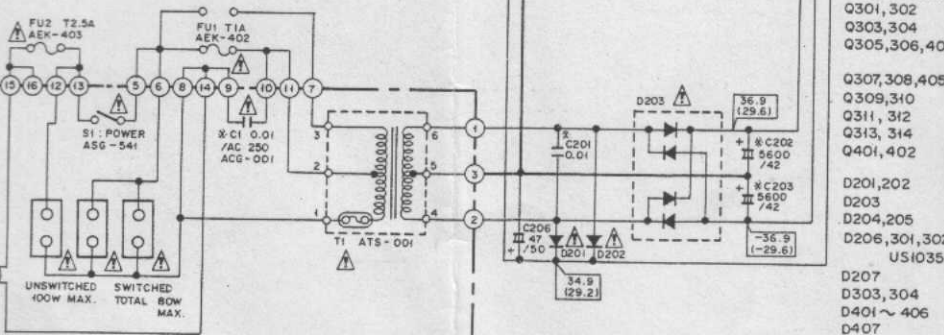


AF Ass'y GWK - 226

AF Ass'y GWK - 226



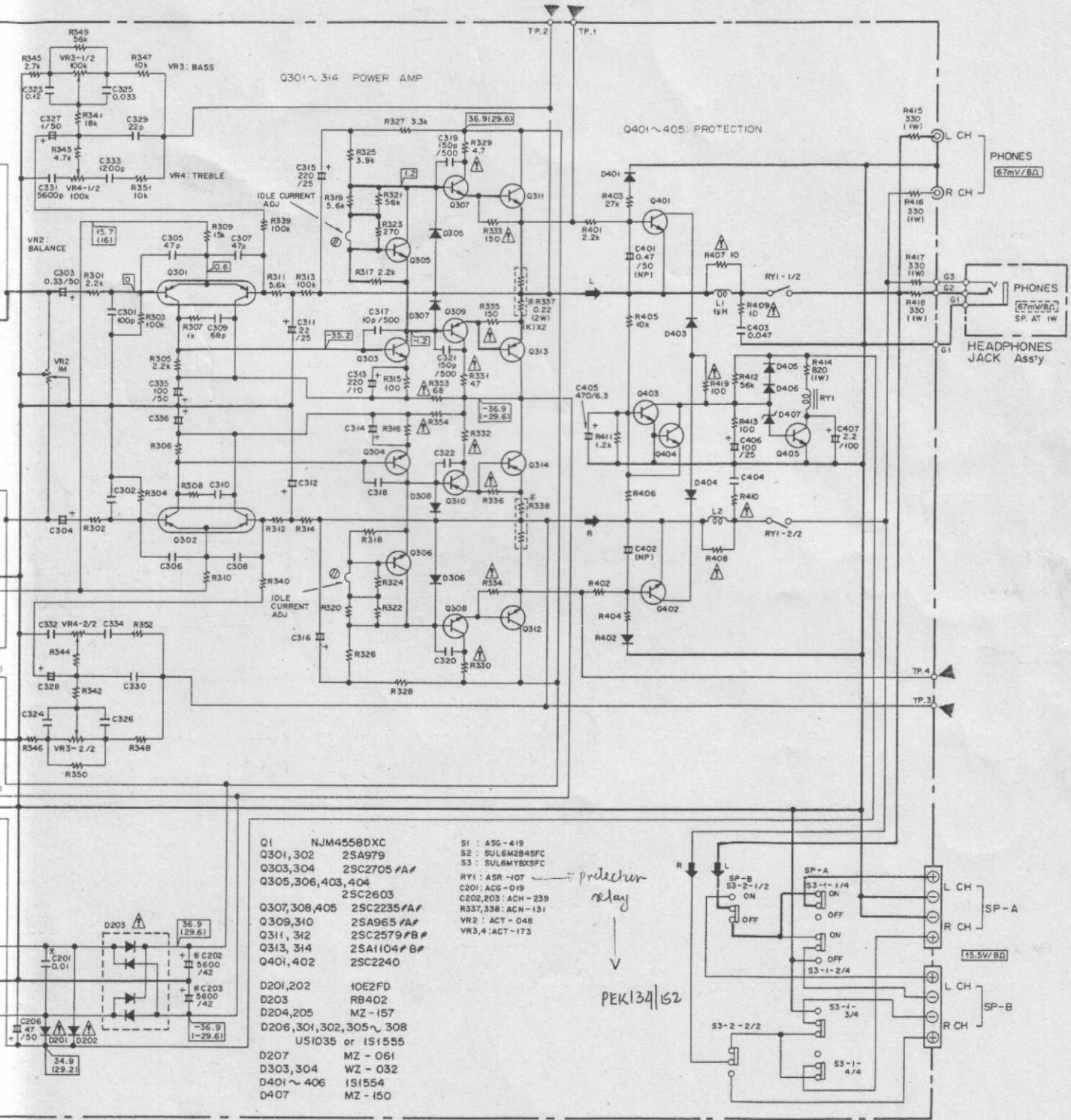
AC POWER CORD
ADG-068



- RESISTORS.**
Indicated in Ω , $\frac{1}{4}W$, $\frac{1}{2}W$, $\pm 5\%$ tolerance unless otherwise noted k; k Ω , M; M Ω , (F); $\pm 1\%$, (G); $\pm 2\%$, (K); $\pm 10\%$, (M); $\pm 20\%$ tolerance
- CAPACITORS:**
Indicated in capacity (μF)/voltage (V) unless otherwise noted p; pF. Indication without voltage is 50V except electrolytic capacitor.
- VOLTAGE CURRENT.**
 - \square : Signal voltage at (30 W+ 30 W, 8 Ω) output (1kHz)
 - \square : DC voltage (V) at no input signal
 - Value in () is DC voltage at rated power.
 - \square : mA; DC current at no input signal
- OTHERS:**
 - \rightarrow : Signal route.
 - \circ : Adjusting point.
 - The Δ mark found on some component indicates the importance of the safety factor of the part. Be sure to use parts of identical designation.
 - * marked capacitors and resistors have parts

- Q1 NJM4
- Q301, 302
- Q303, 304
- Q305, 306, 403
- Q307, 308, 405
- Q309, 310
- Q311, 312
- Q313, 314
- Q401, 402
- D201, 202
- D203
- D204, 205
- D206, 301, 302
- US1035
- D207
- D303, 304
- D401 ~ 406
- D407

NOTE:
 The indicated semiconductors are representative ones only. Other alternative semiconductors may be used and are listed in the parts list.



- | | | | |
|----------------------|------------------|----------|-------------|
| Q1 | NJM4558DC | S1 | ASG-419 |
| Q301,302 | 2SA979 | S2 | SUL6M2B4SFC |
| Q303,304 | 2SC2705 FA# | S3 | SUL6MYBX5FC |
| Q305,306,403,404 | 2SC2603 | RY1 | ASR-107 |
| Q307,308,405 | 2SC2235 FA# | C201 | ACG-019 |
| Q309,310 | 2SA965 FA# | C202,203 | ACH-239 |
| Q311,312 | 2SC2579 FB# | R337,338 | ACH-131 |
| Q313,314 | 2SA1104 FB# | VR2 | ACT-048 |
| Q401,402 | 2SC2240 | VR3,4 | ACT-173 |
| D201,202 | 10E2FD | | |
| D203 | RB402 | | |
| D204,205 | MZ-157 | | |
| D206,301,302,305~308 | US1035 or IS1555 | | |
| D207 | MZ-061 | | |
| D303,304 | WZ-032 | | |
| D401~406 | IS1554 | | |
| D407 | MZ-150 | | |

4. OTHERS:

○ : Signal route.
 ● : Adjusting point.
 The **▲** mark found on some component parts indicates the importance of the safety factor of the part. Therefore, when replacing, be sure to use parts of identical designation.
 * marked capacitors and resistors have parts numbers.
 This is the basic schematic diagram, but the actual circuit may vary due to improvements in design.

SWITCHES:

- | | |
|--------------------------|----------|
| AF Assy | ON - OFF |
| S1-1 : FUNCTION (PHONO) | ON - OFF |
| S1-2 : FUNCTION (TUNER) | ON - OFF |
| S1-3 : FUNCTION (CD/AUX) | ON - OFF |
| S1-4 : FUNCTION (TAPE 1) | ON - OFF |
| S2-1 : ADAPTOR / TAPE 2 | ON - OFF |
| S2-2 : LOUDNESS | ON - OFF |
| S3-1 : SPEAKERS A | ON - OFF |
| S3-2 : SPEAKERS B | ON - OFF |
| OUTSIDE OF PC BOARD | |
| S1 : POWER | ON - OFF |
- The underlined indicates the switch position.