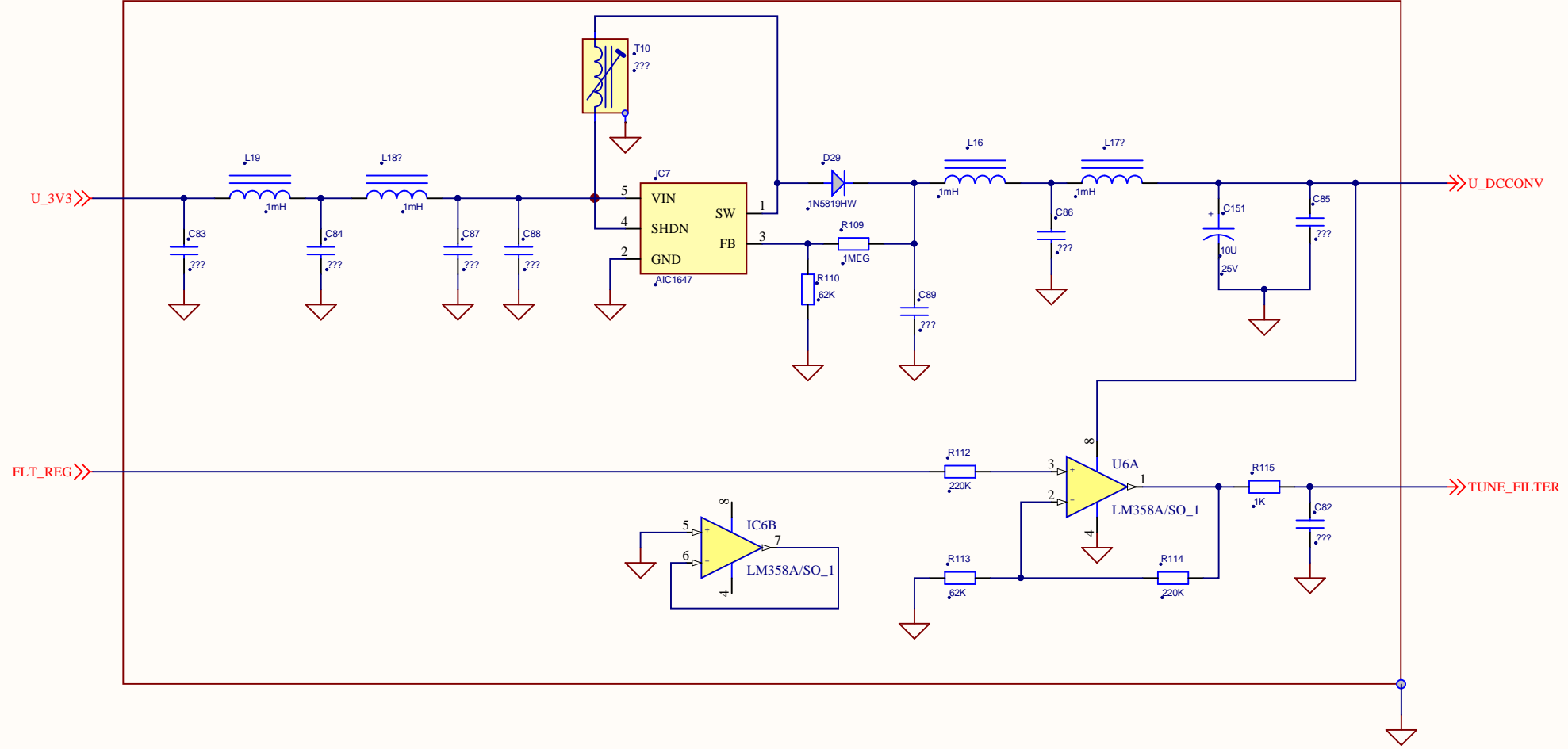
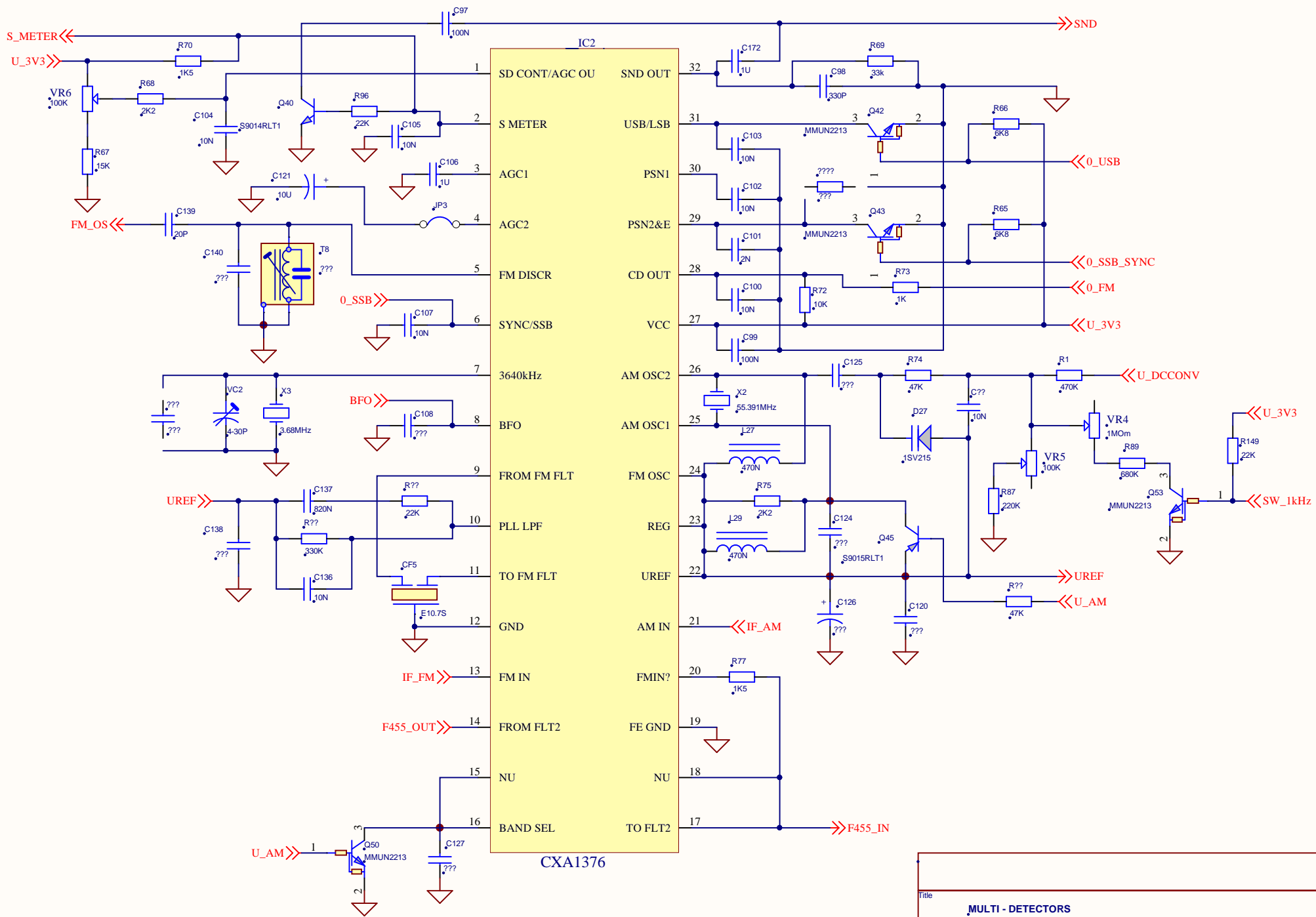


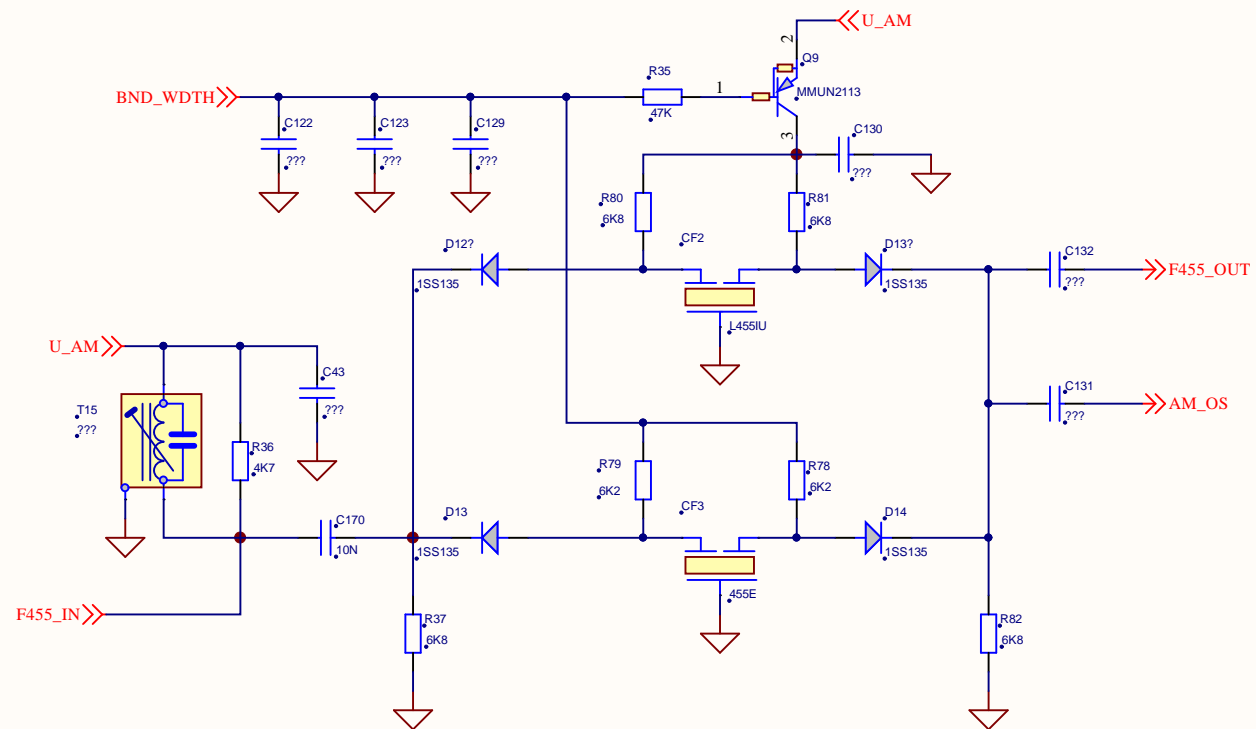
Title		
AUDIO CHANNEL		
Size	Document Number	Rev
A	D	1
Date:	Sheet 1 of 1	



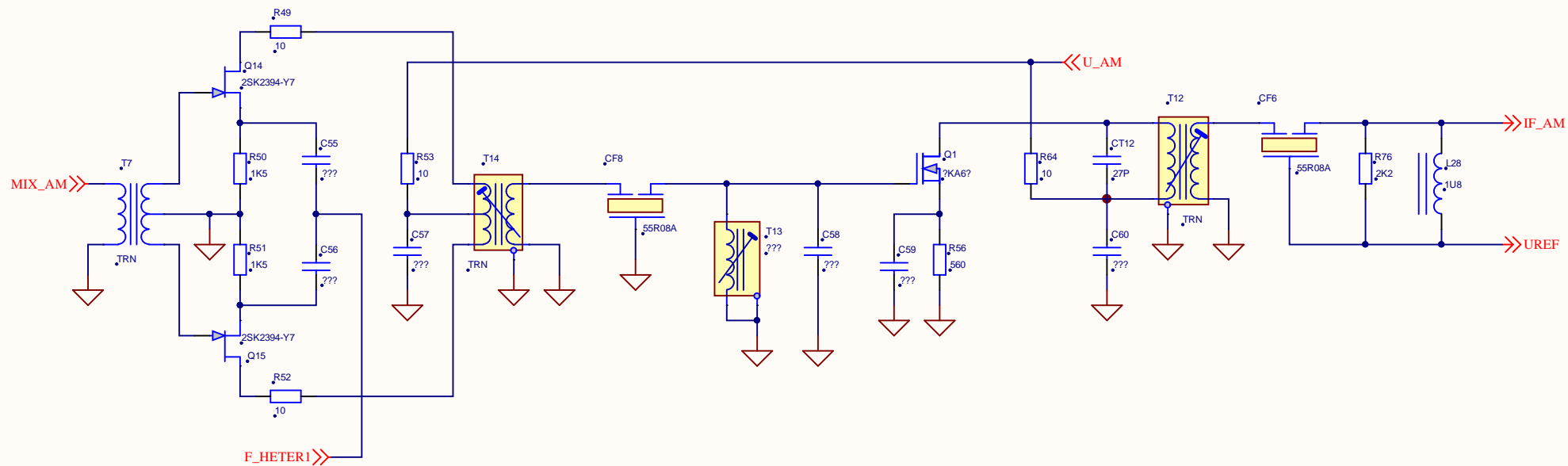
Title		
DC-DC INVERTER		
Size	Document Number	Rev
A	J	1
Date:	Sheet	1 of 1



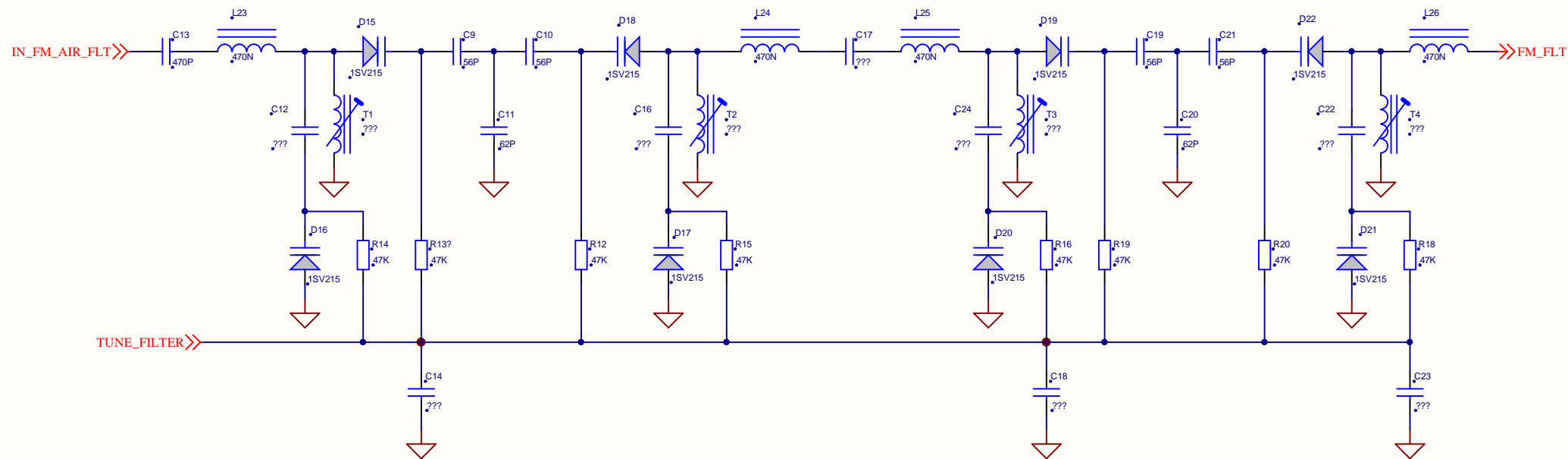
Title		
MULTI - DETECTORS		
Size	Document Number	Rev
A	.	1
Date:	Sheet	1 of 1



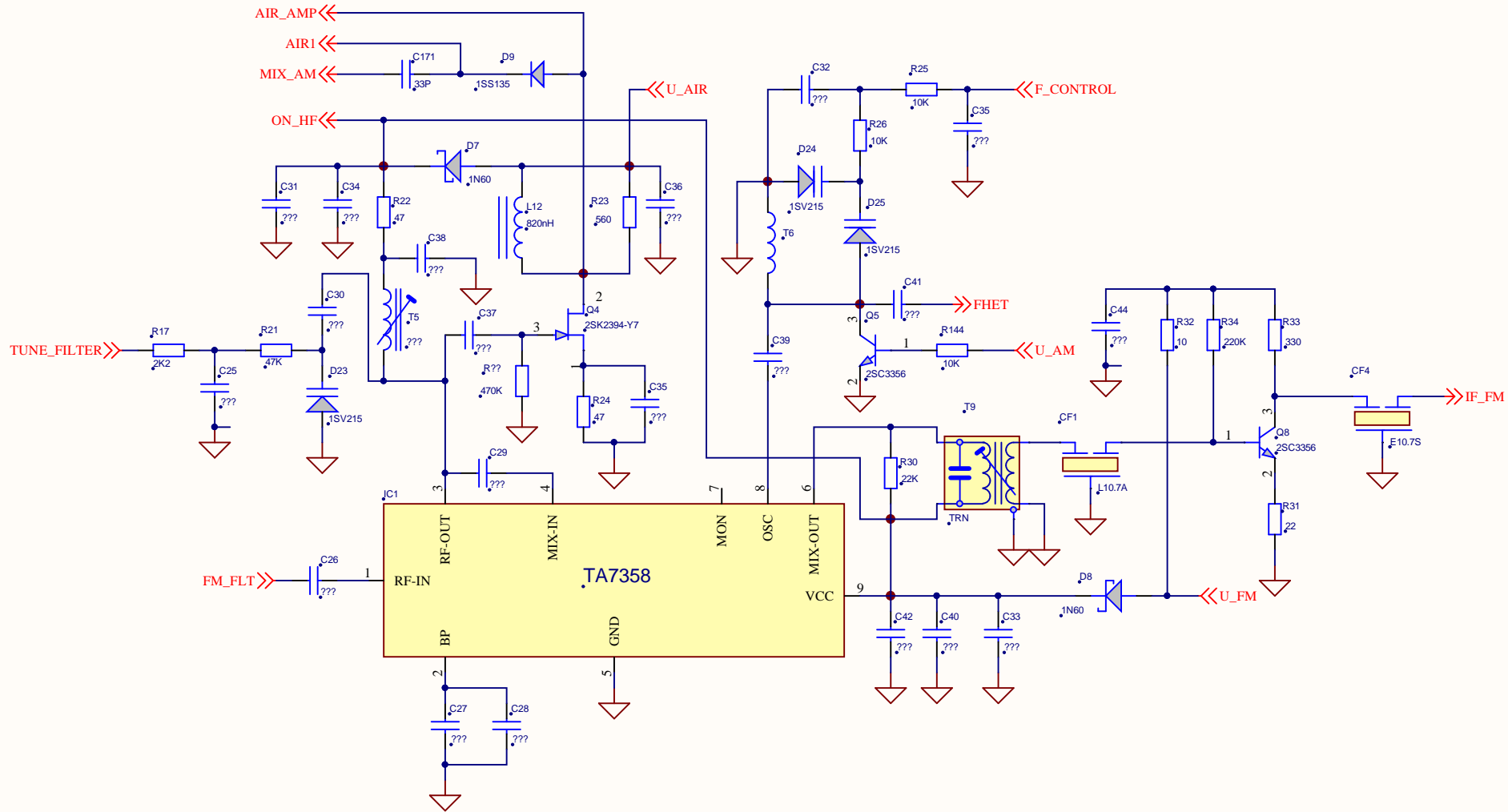
Title		
FILTER 455kHz		
Size	Document Number	Rev
A	.	1
Date:	Sheet 1 of 1	



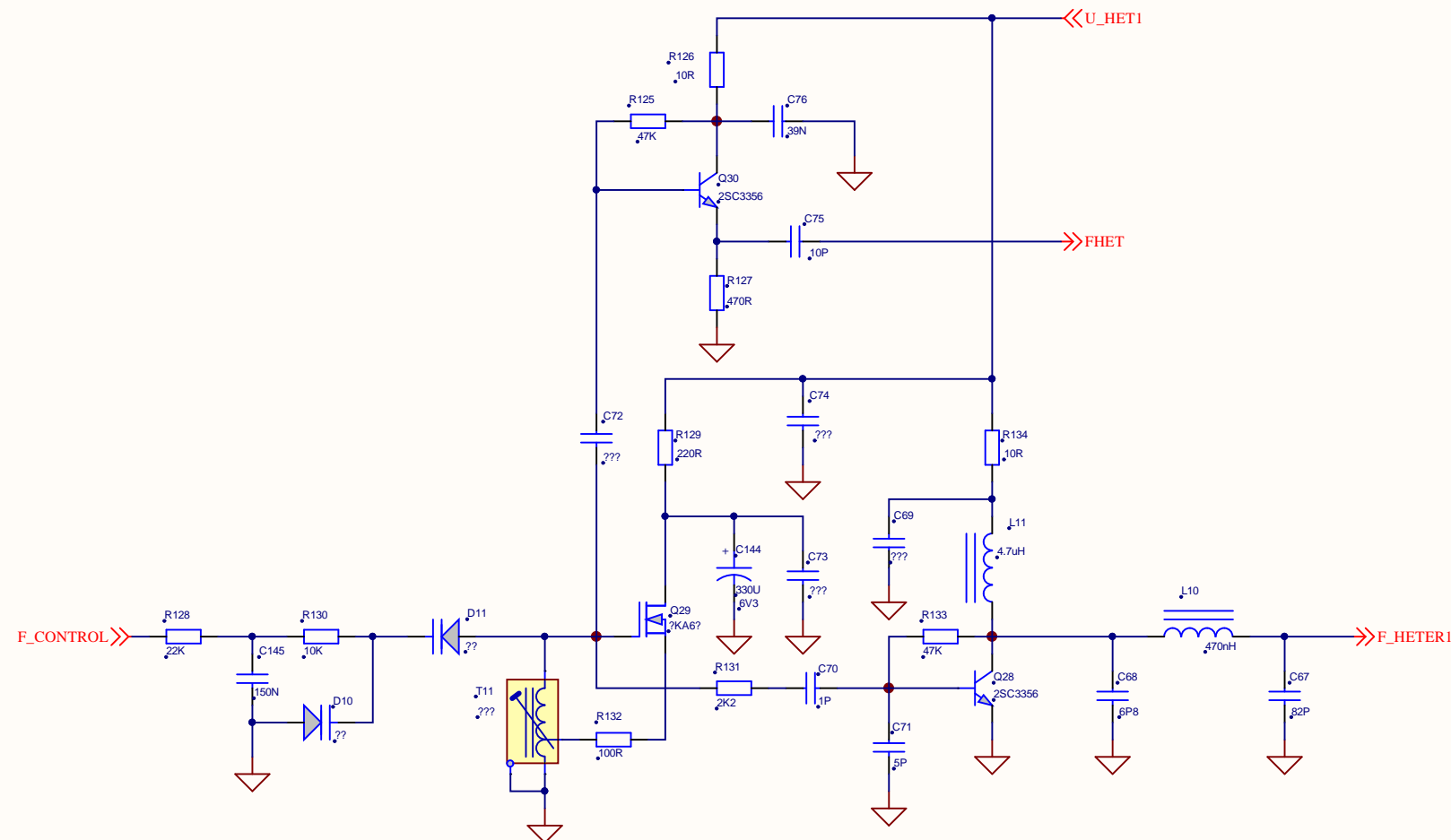
Title		
MIXER1 AND FILTER 55844/5 kHz		
Size	Document Number	Rev
A	C	1
Date:	Sheet 1 of 1	



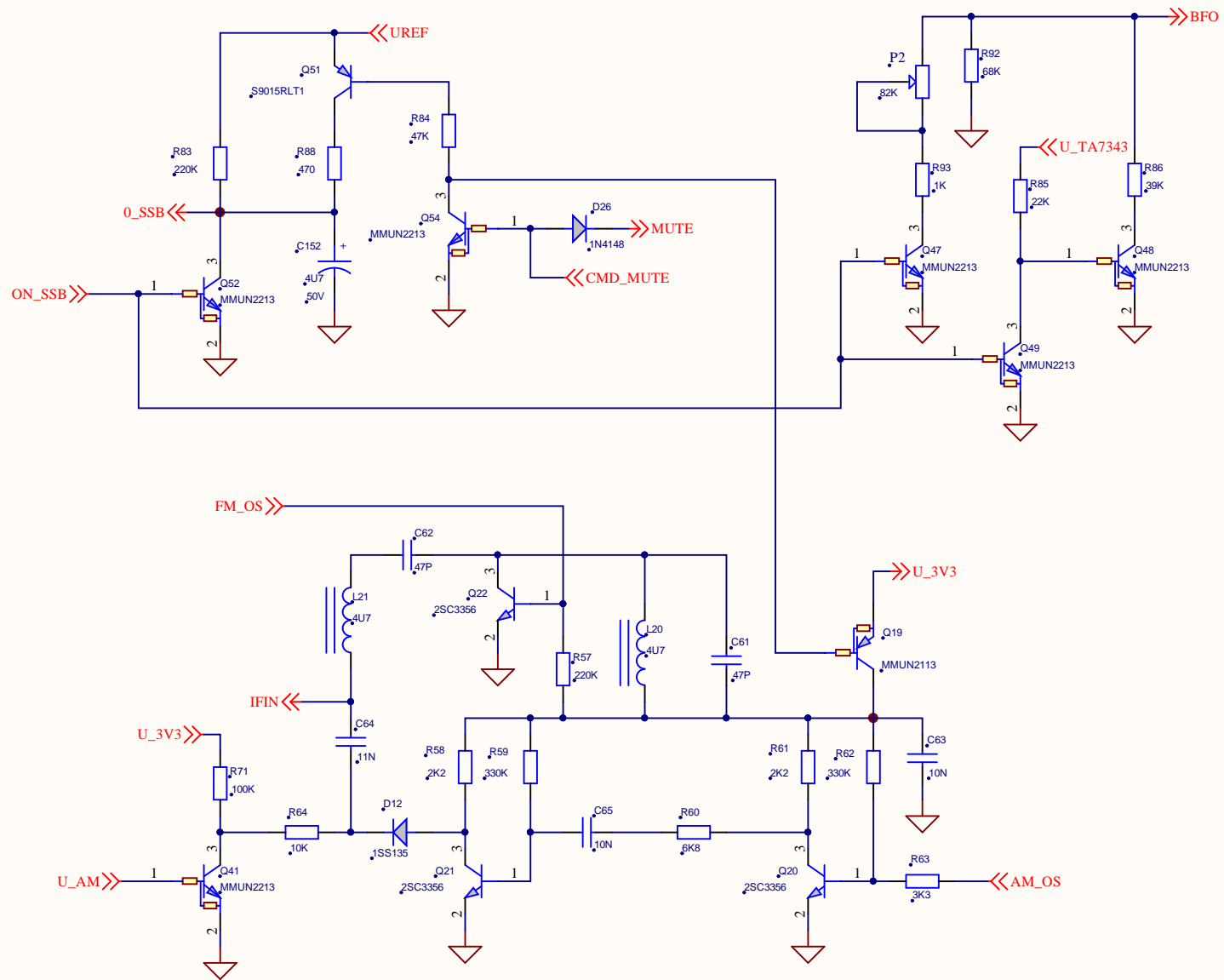
Title		
INPUT FILTER FM - AIR		
Size	Document Number	Rev
A	H	1
Date:	Sheet 1 of 1	



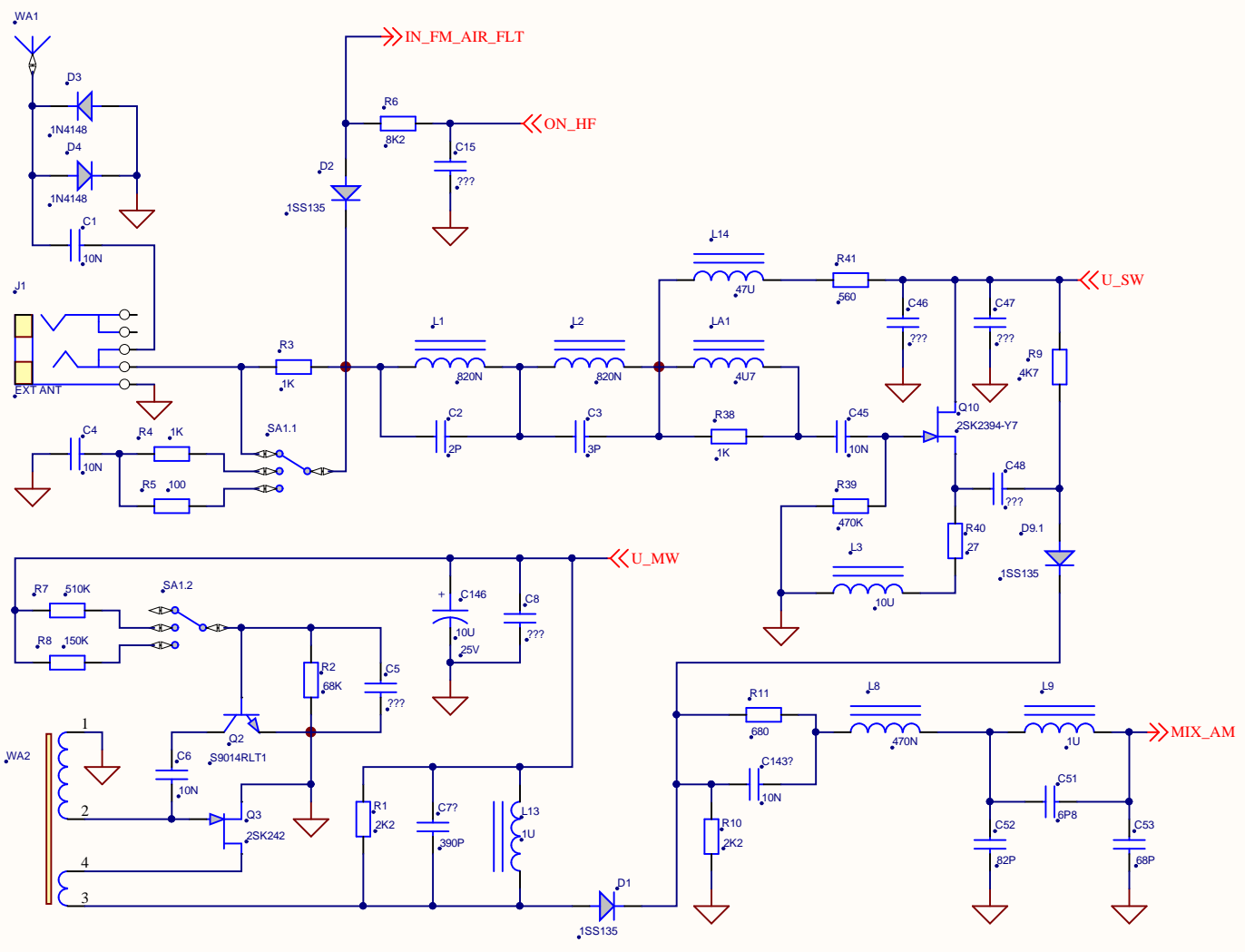
Title		
FM/AIR CHANNEL		
Size	Document Number	Rev
A	.	1
Date:	Sheet	1 of 1



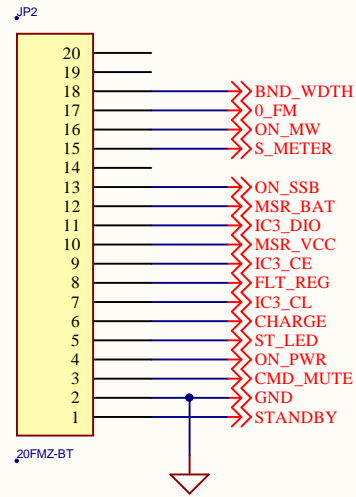
Title		
FIRST HETERODYNE		
Size	Document Number	Rev
A	E	1
Date:	Sheet 1 of 1	



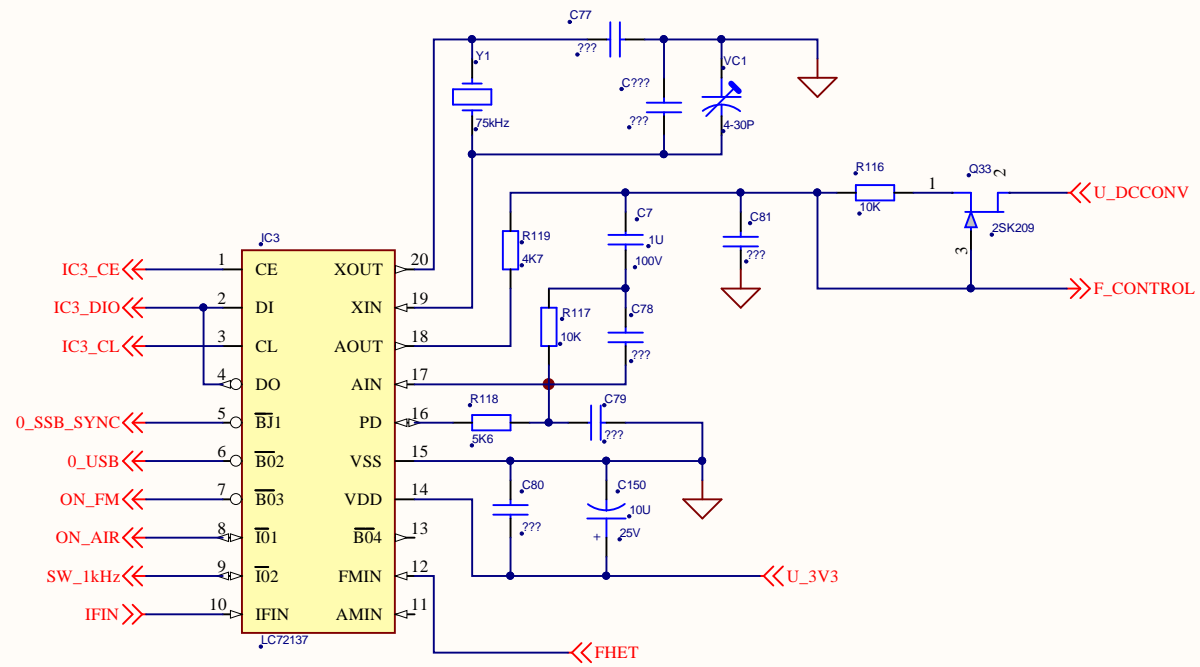
Title		
X.Z. INTERFACE		
Size	Document Number	Rev
A	.	1
Date:	Sheet	1 of 1



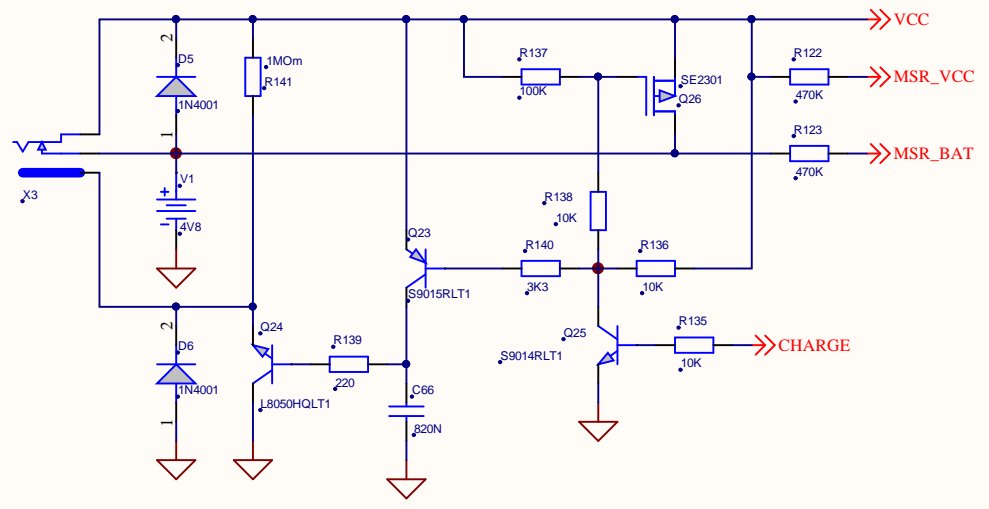
Title		
INPUT		
Size	Document Number	Rev
A	A	1
Date:	Sheet 1 of 1	



Title		
20FMZ-BT CONNECTOR JP2		
Size	Document Number	Rev
A	J	1
Date:	Sheet 1 of 1	

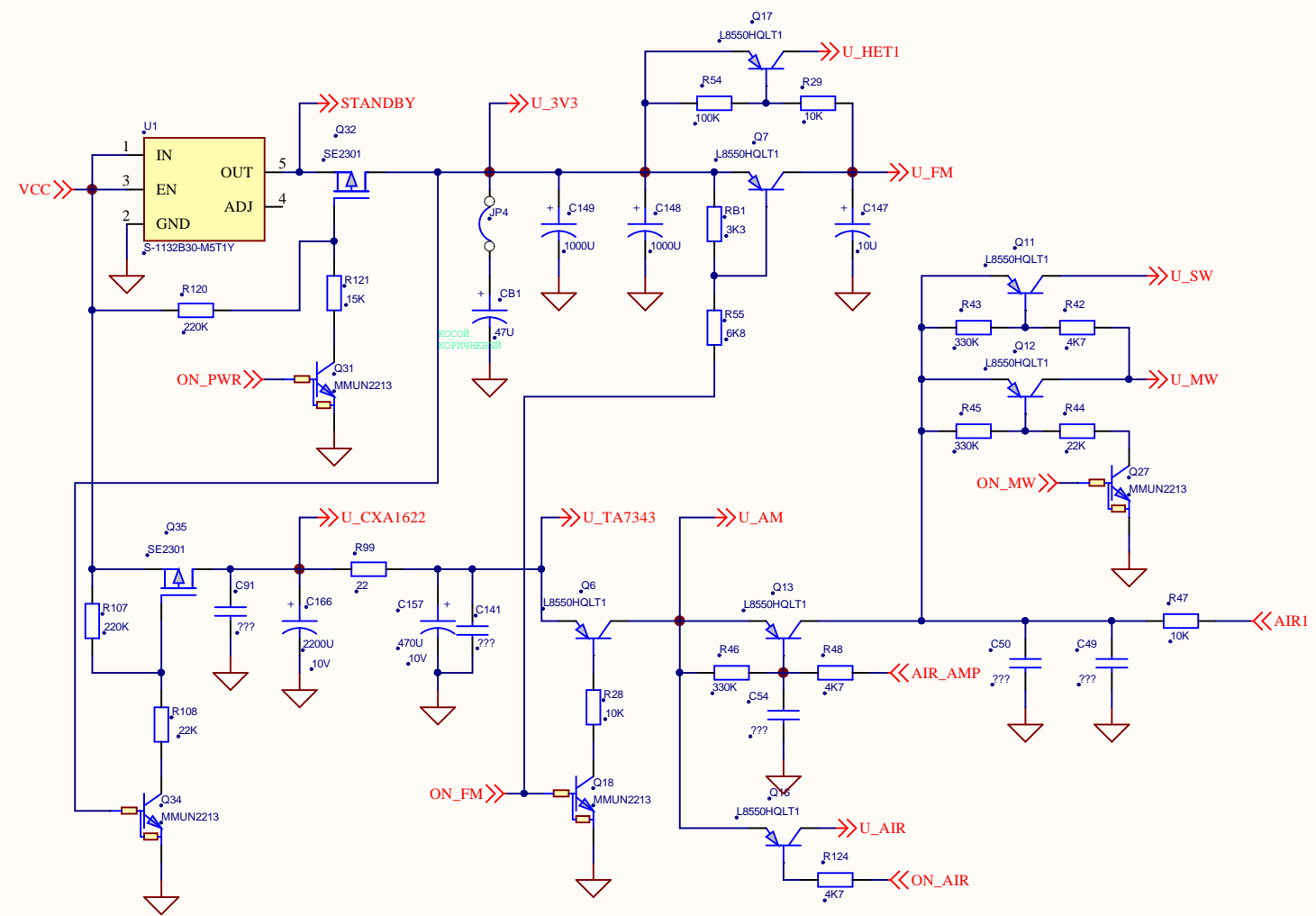


Title		
PHASE LOCKED LOOP		
Size	Document Number	Rev
A	.	1
Date:	Sheet	of
	1	1



Title		
POWER INPUT		
Size	Document Number	Rev
A	F	1
Date:	Sheet 1 of 1	

Q17, Q11 - заменить полевыми
 утечка через R29, R42 на соотв.
 шины питания через переход E-B



Title		
PWR_SWITCHES		
Size	Document Number	Rev
A	B	1
Date:	Sheet 1 of 1	