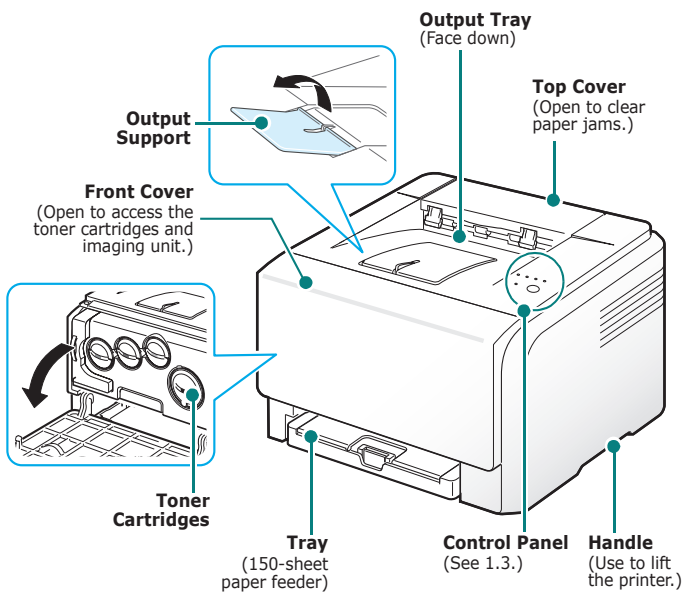


Printer Components

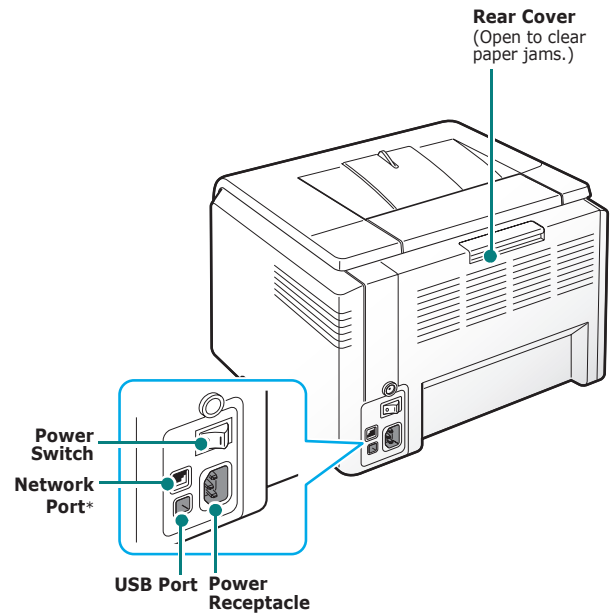
These are the main components of your printer. Note that all illustrations on this User's Guide are from the Phaser 6110N and that some parts may be different from your printer.

Front View



NOTE: The surface of the output tray may become hot if you print a large number of pages at once. Please make sure that you don't touch the surface, and prevent children from approaching it.

Rear View



* Only the Phaser 6110N comes with a network port.