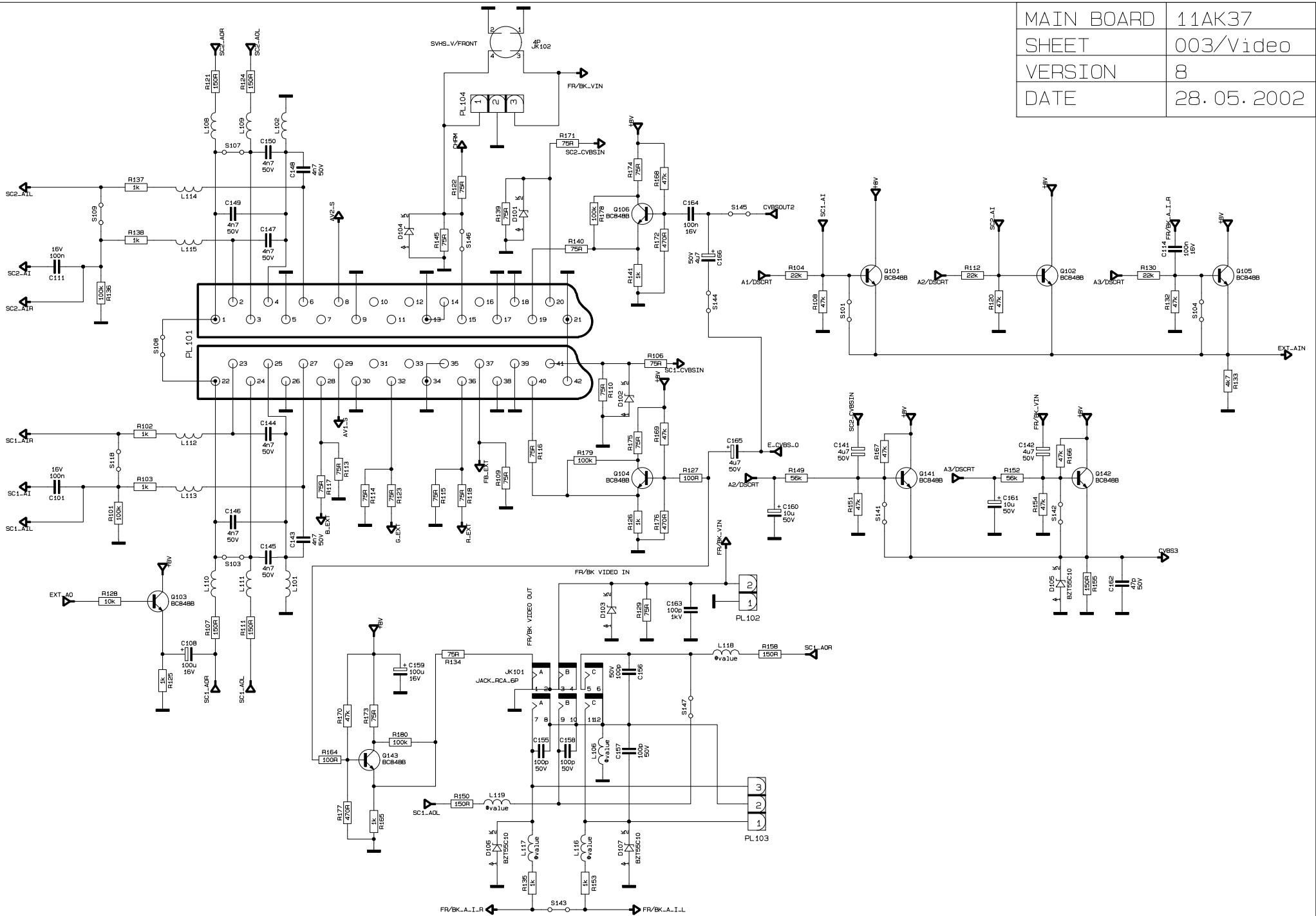
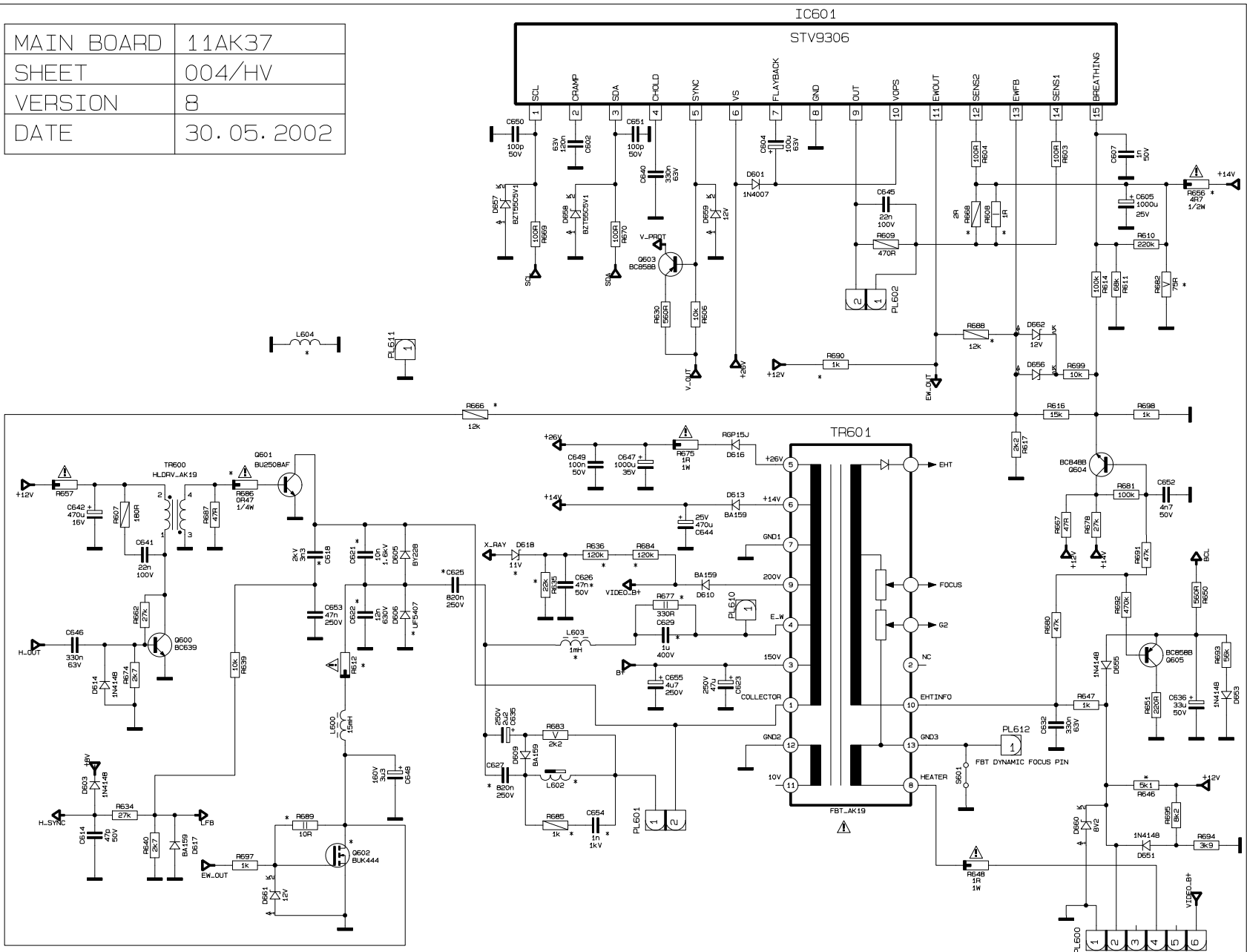


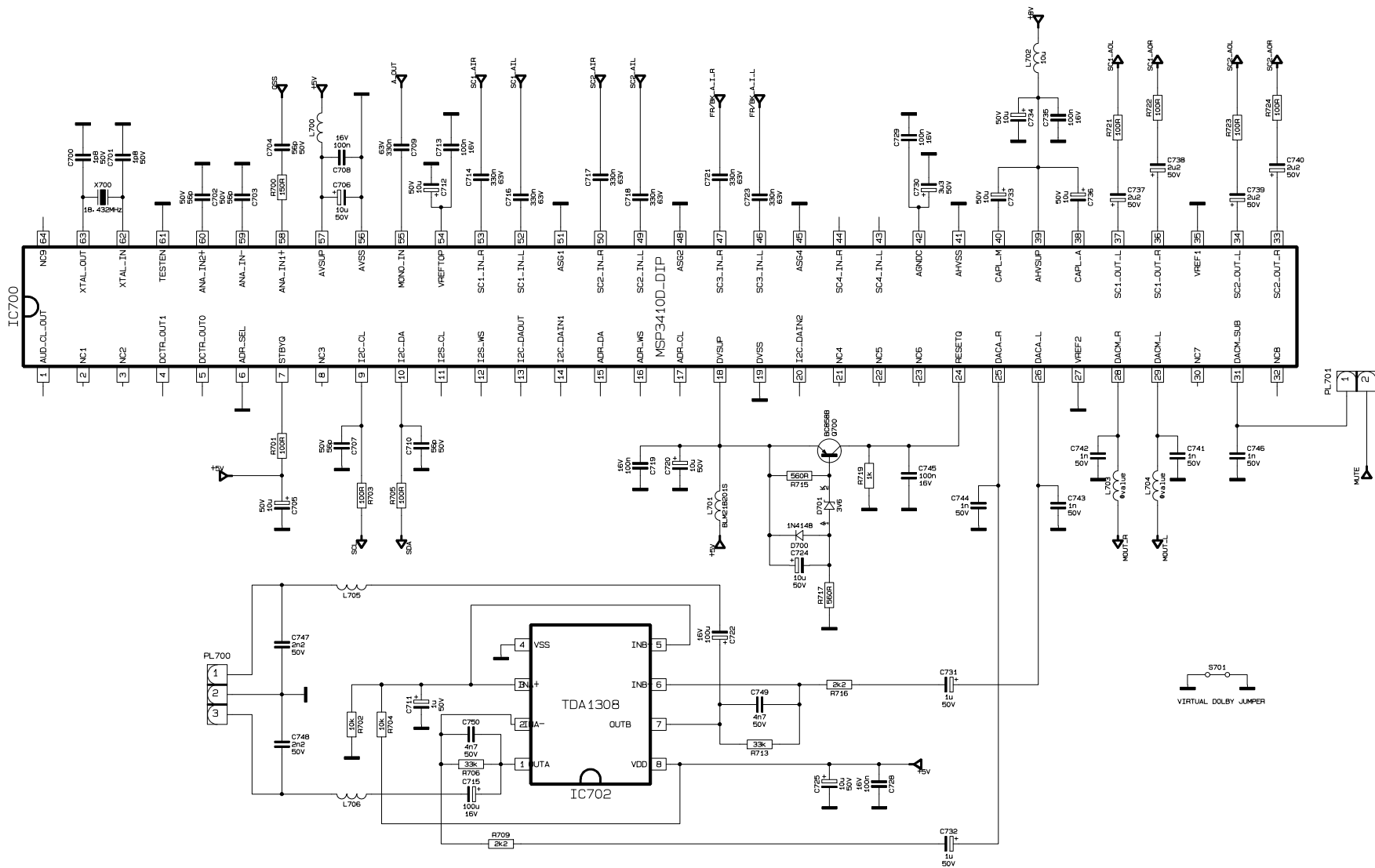
MAIN BOARD	11AK37
SHEET	003/Video
VERSION	8
DATE	28.05.2002



MAIN BOARD	11AK37
SHEET	004/HV
VERSION	8
DATE	30.05.2002

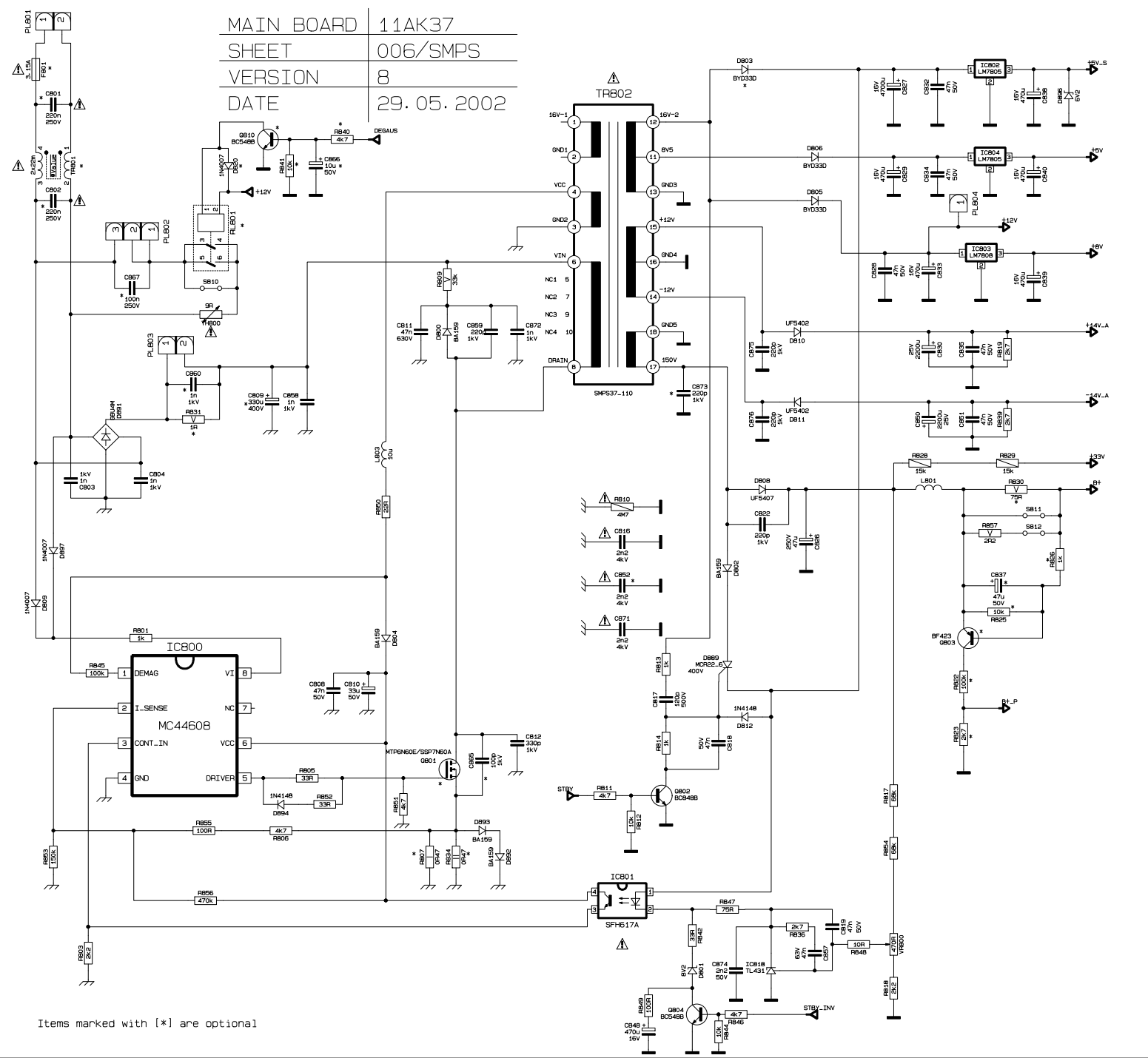


Items marked with [*] are optional

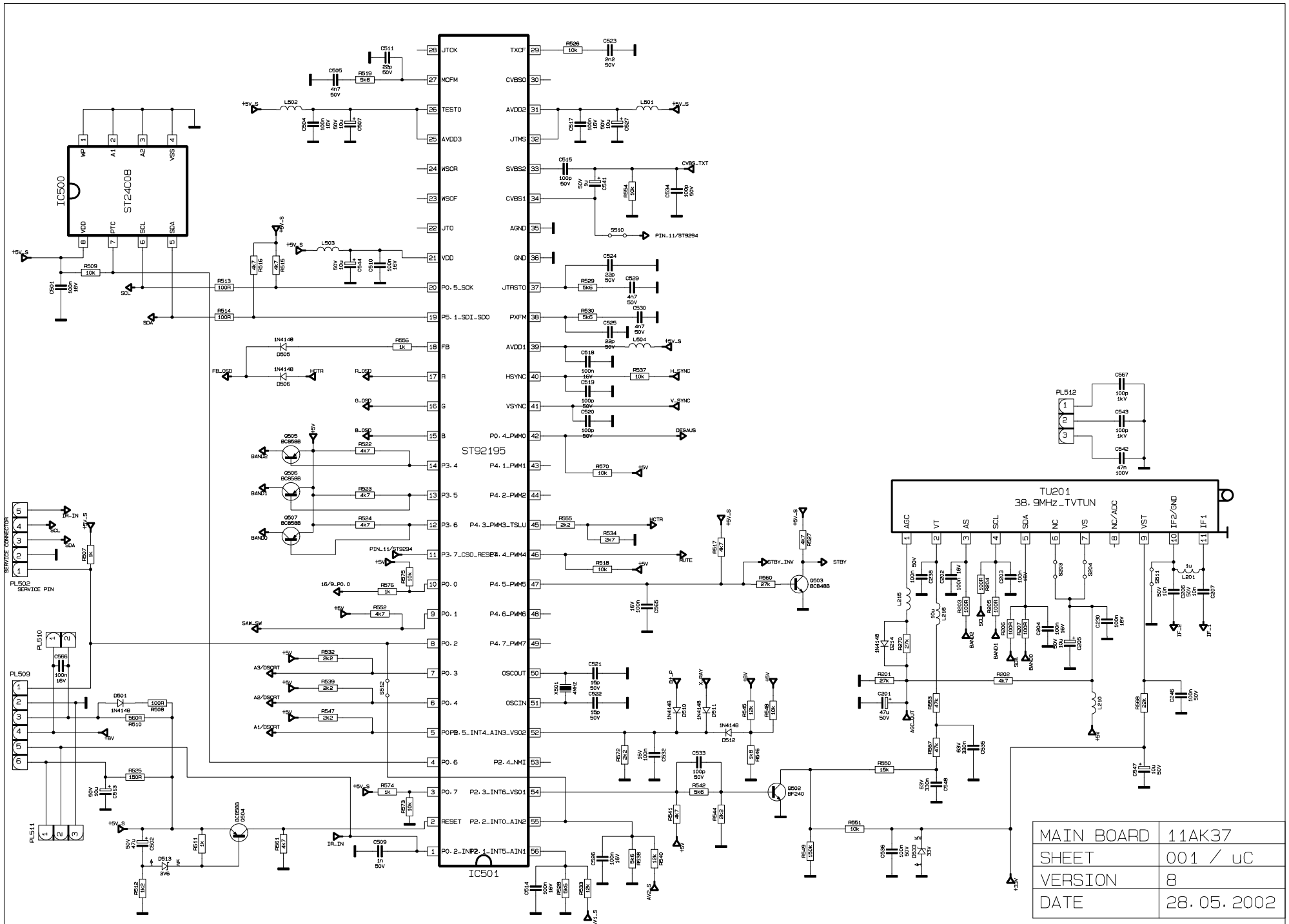


MAIN BOARD	11AK37
SHEET	007/Stereo
VERSION	8
DATE	28.05.2002

MAIN BOARD	11AK37
SHEET	006/SMPs
VERSION	8
DATE	29.05.2002



Items marked with [*] are optional



MAIN BOARD	11AK37
SHEET	001 / uC
VERSION	8
DATE	28.05.2002

MAIN BOARD	11AK37
SHEET	002/Video
VERSION	8
DATE	29.05.2002

