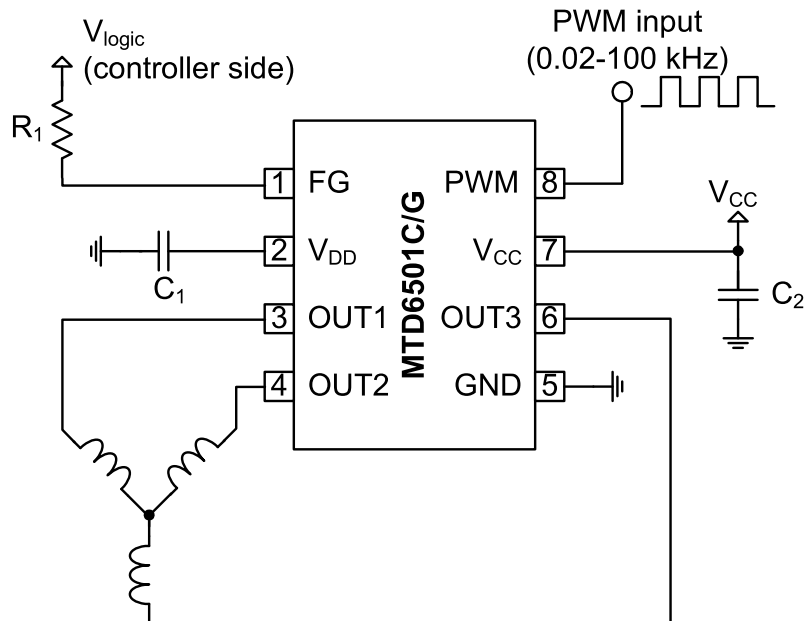


# MTD6501C/D/G

## Typical Application – Fan Motor Driver Using the MTD6501C or MTD6501G



### Recommended External Components for Typical Application

Element	Type/Value	Comment
$C_1$	$\geq 1 \mu\text{F}$	Connect as close as possible to IC input pins
$C_2$	$\geq 1 \mu\text{F}$	Connect as close as possible to IC input pins
$R_1$	$\geq 10 \text{ k}\Omega$	Connect to $V_{\text{logic}}$ on controller side