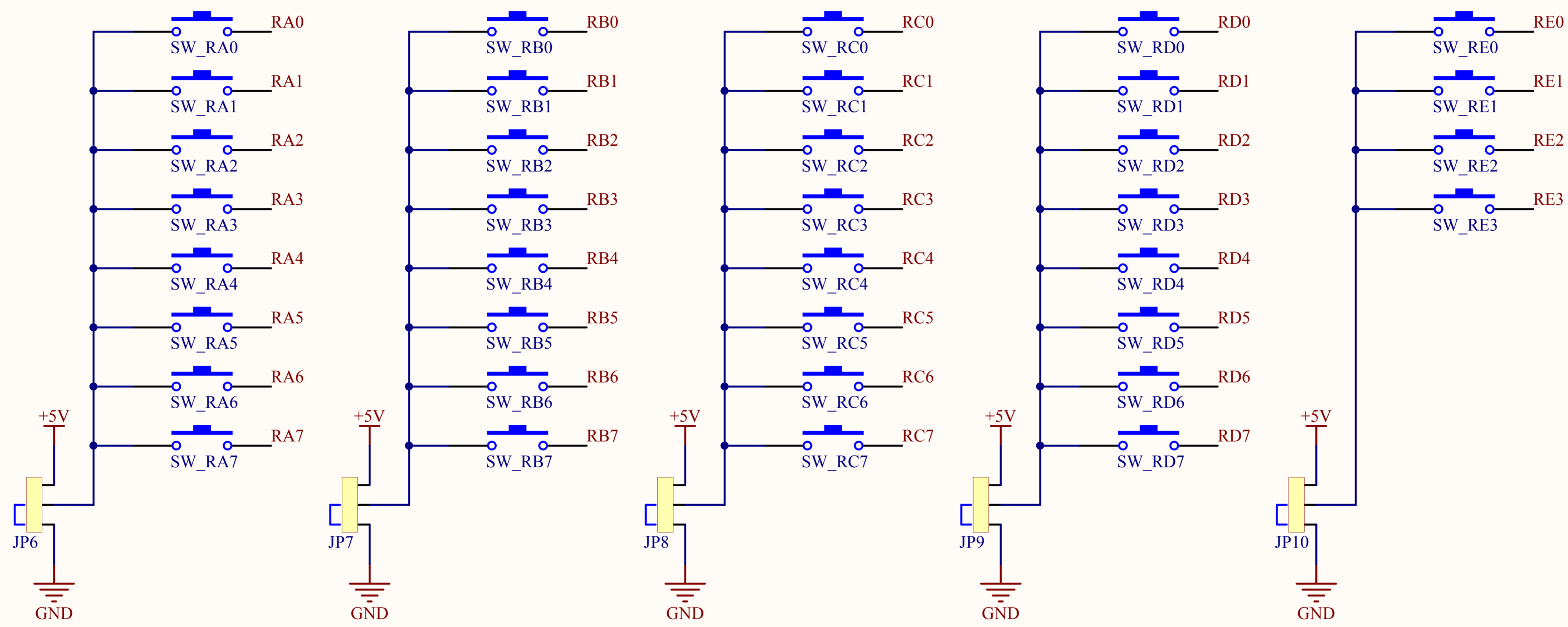
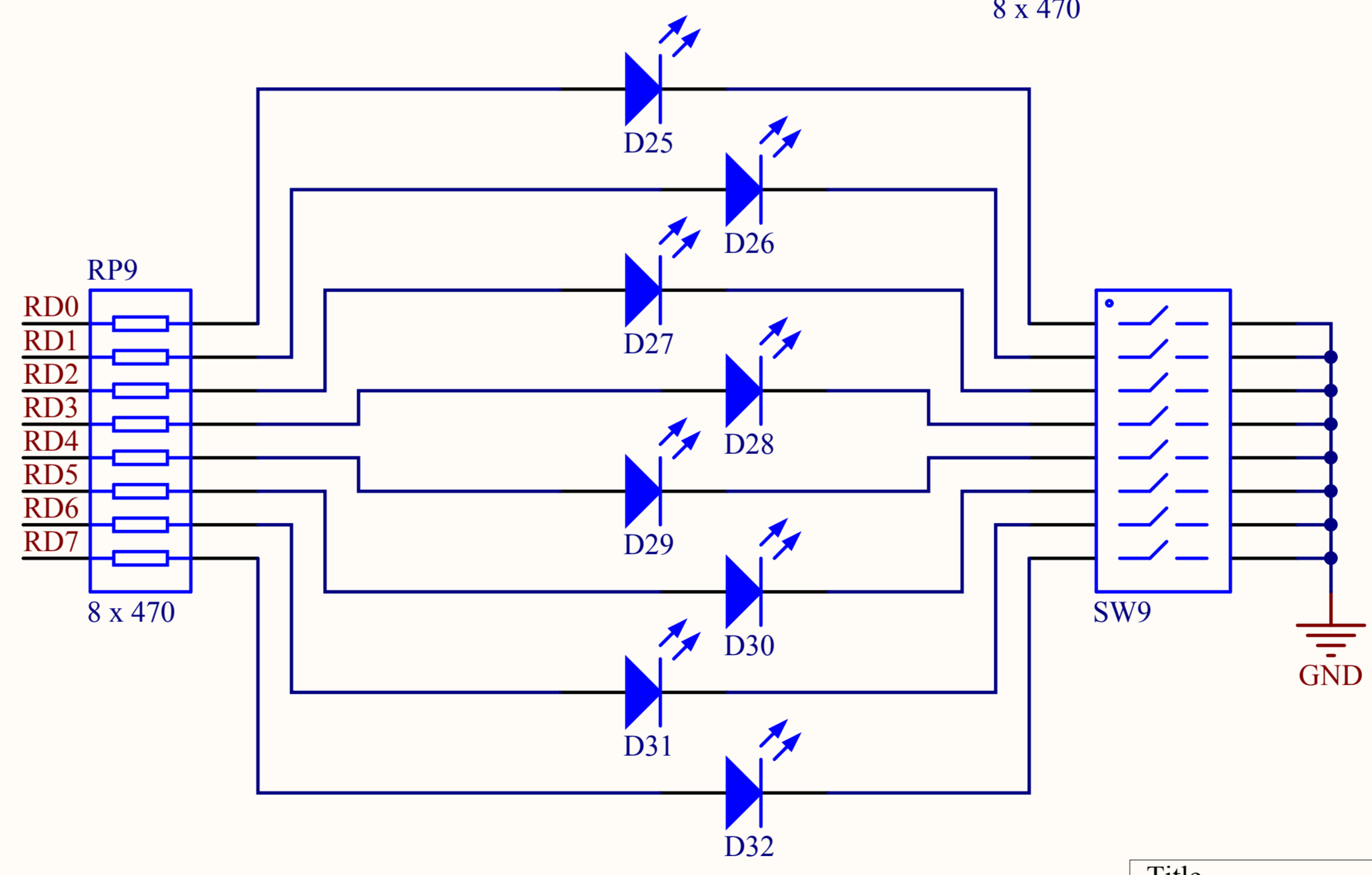
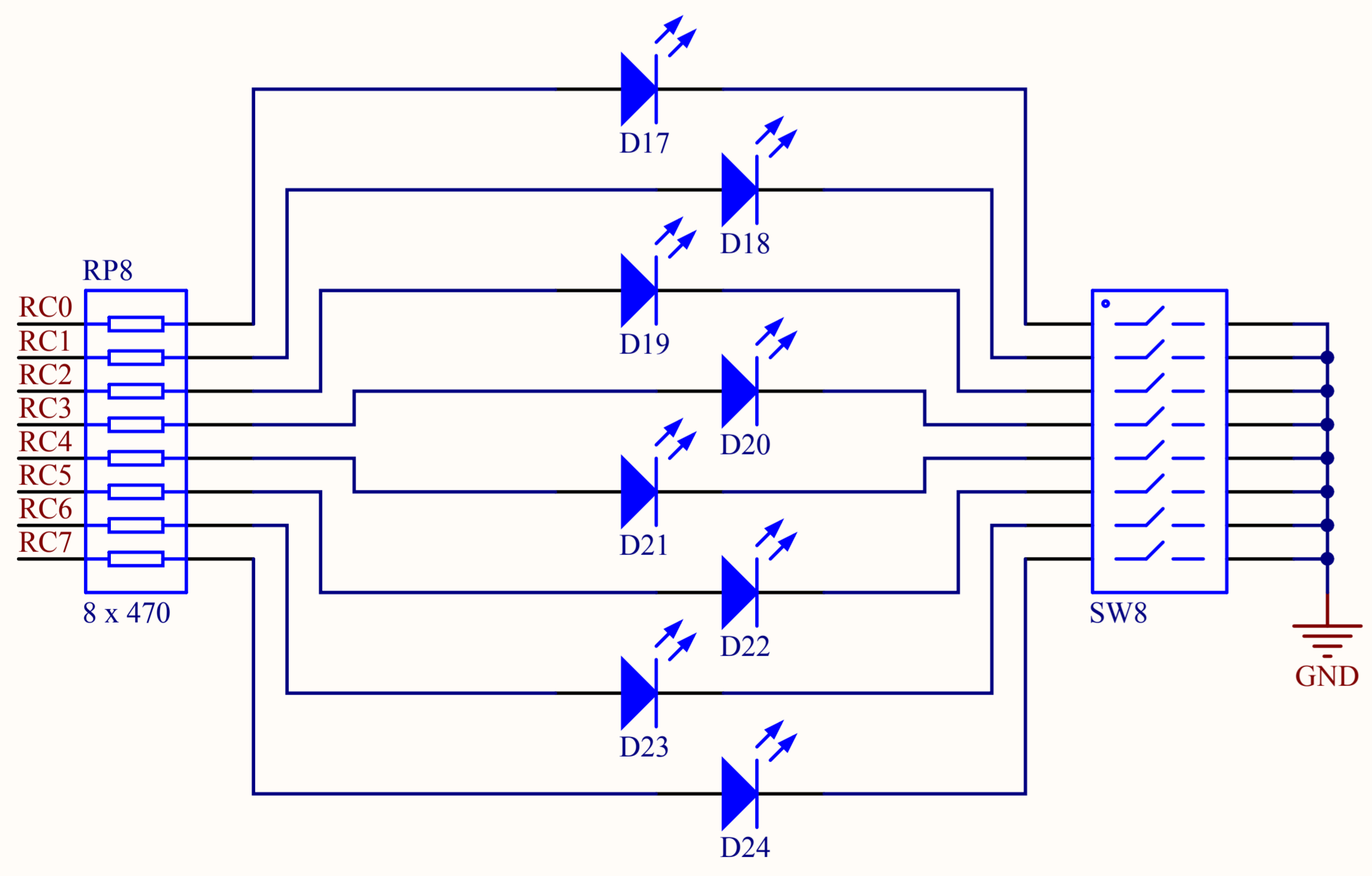
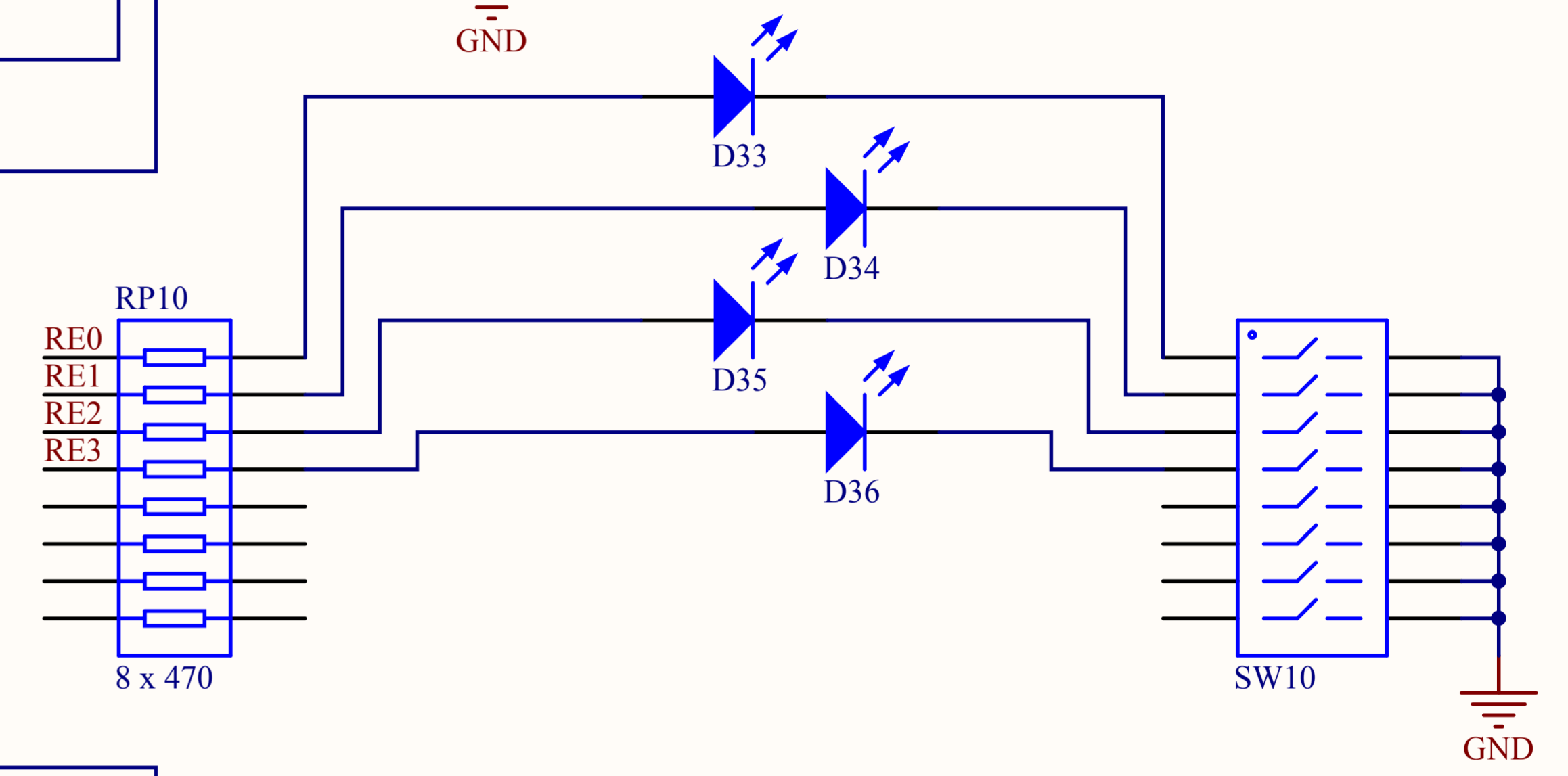
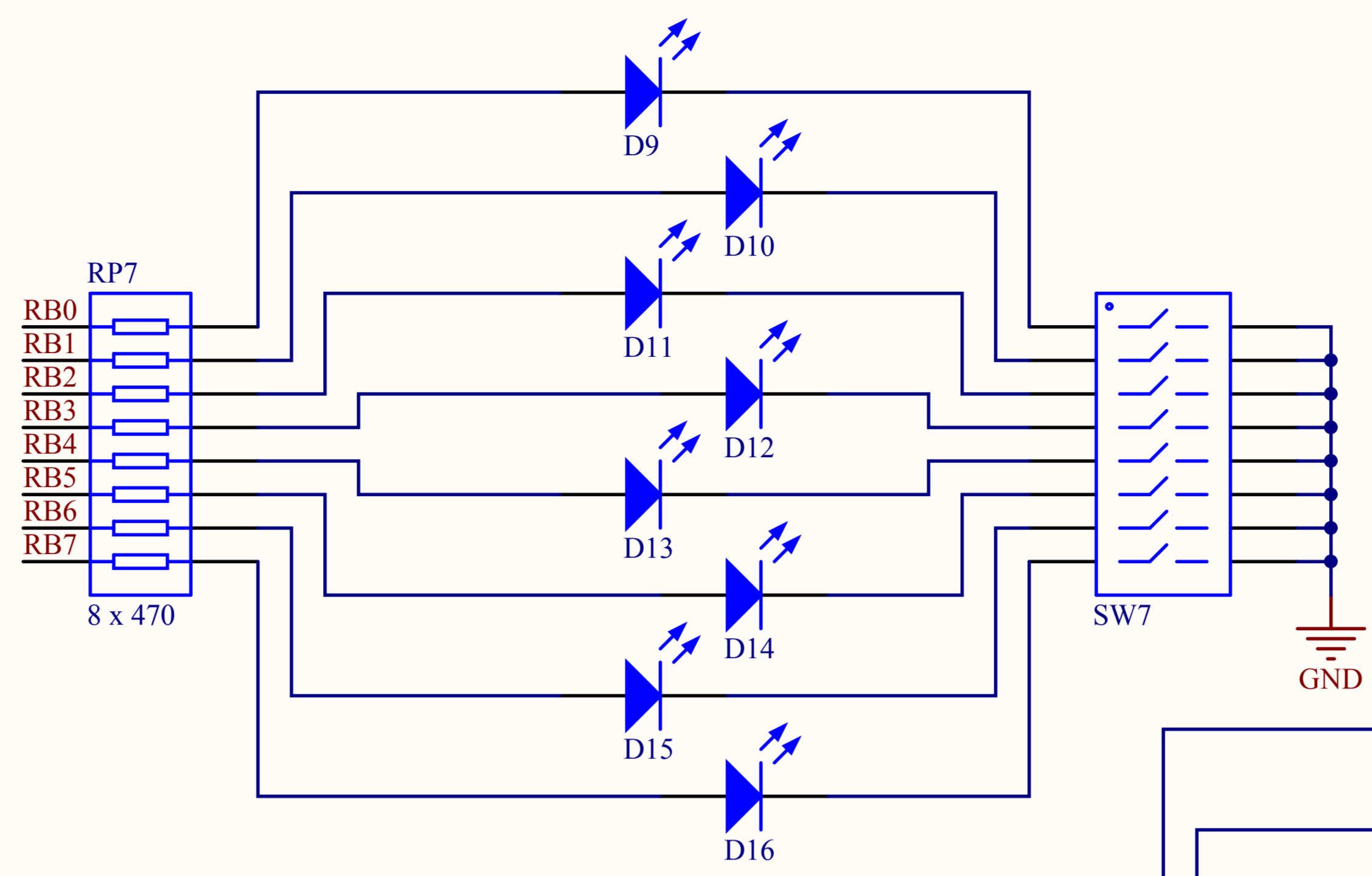
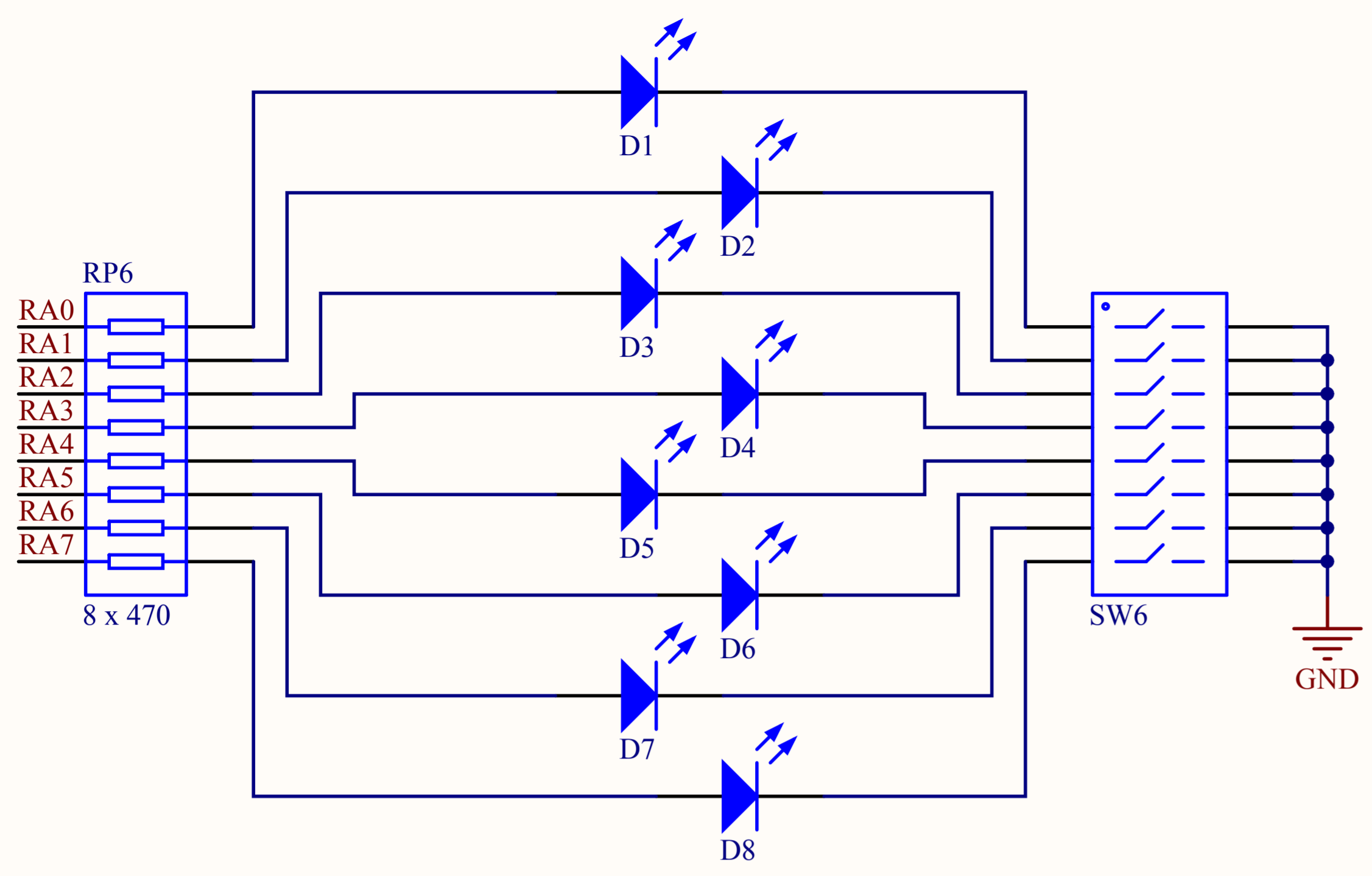


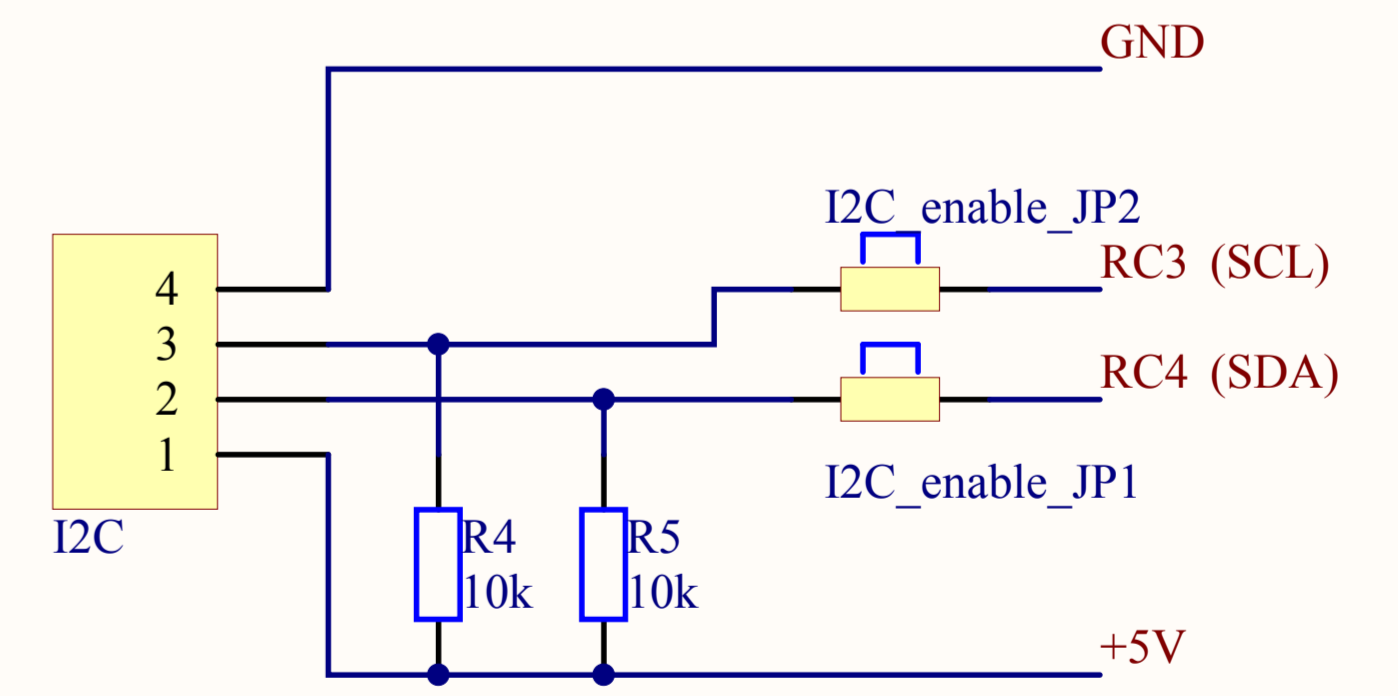
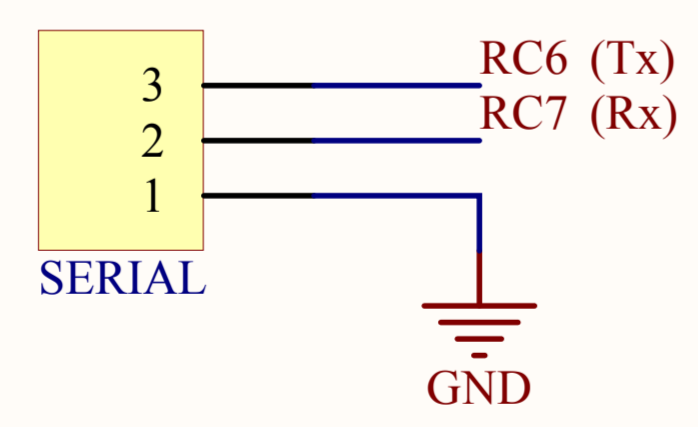
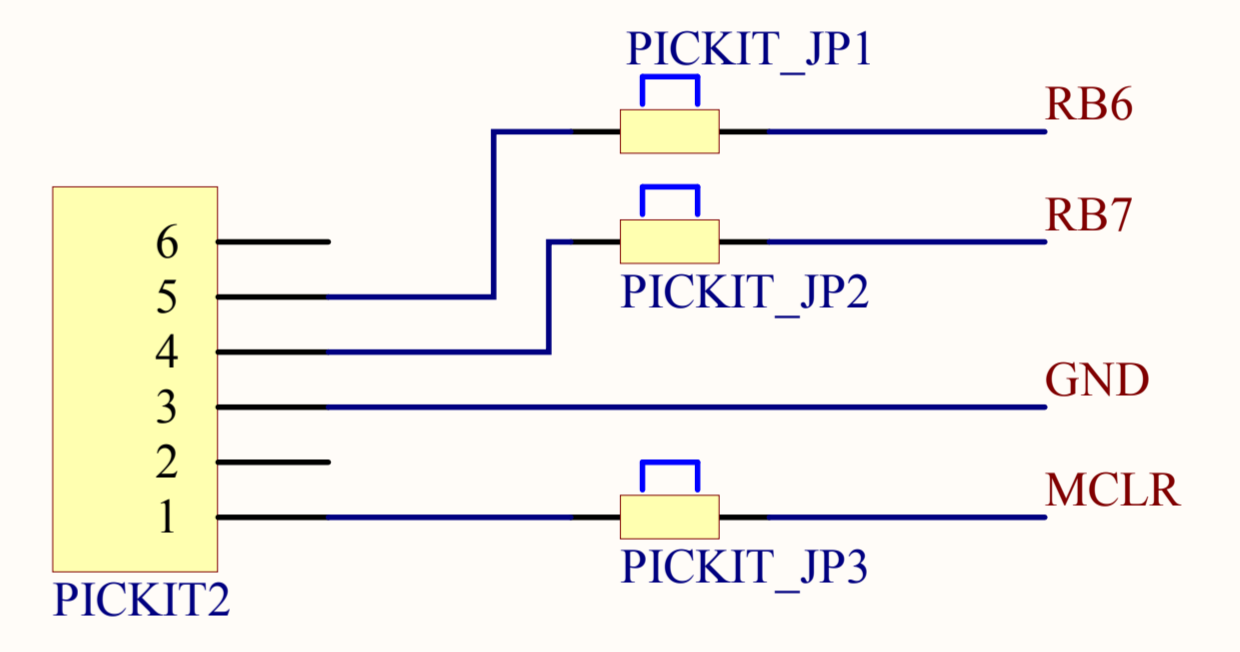
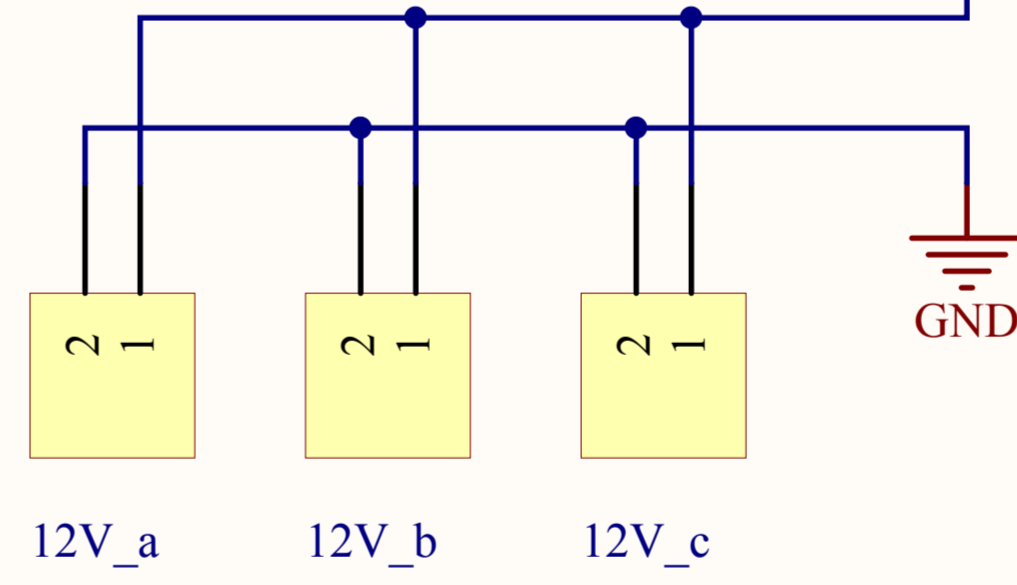
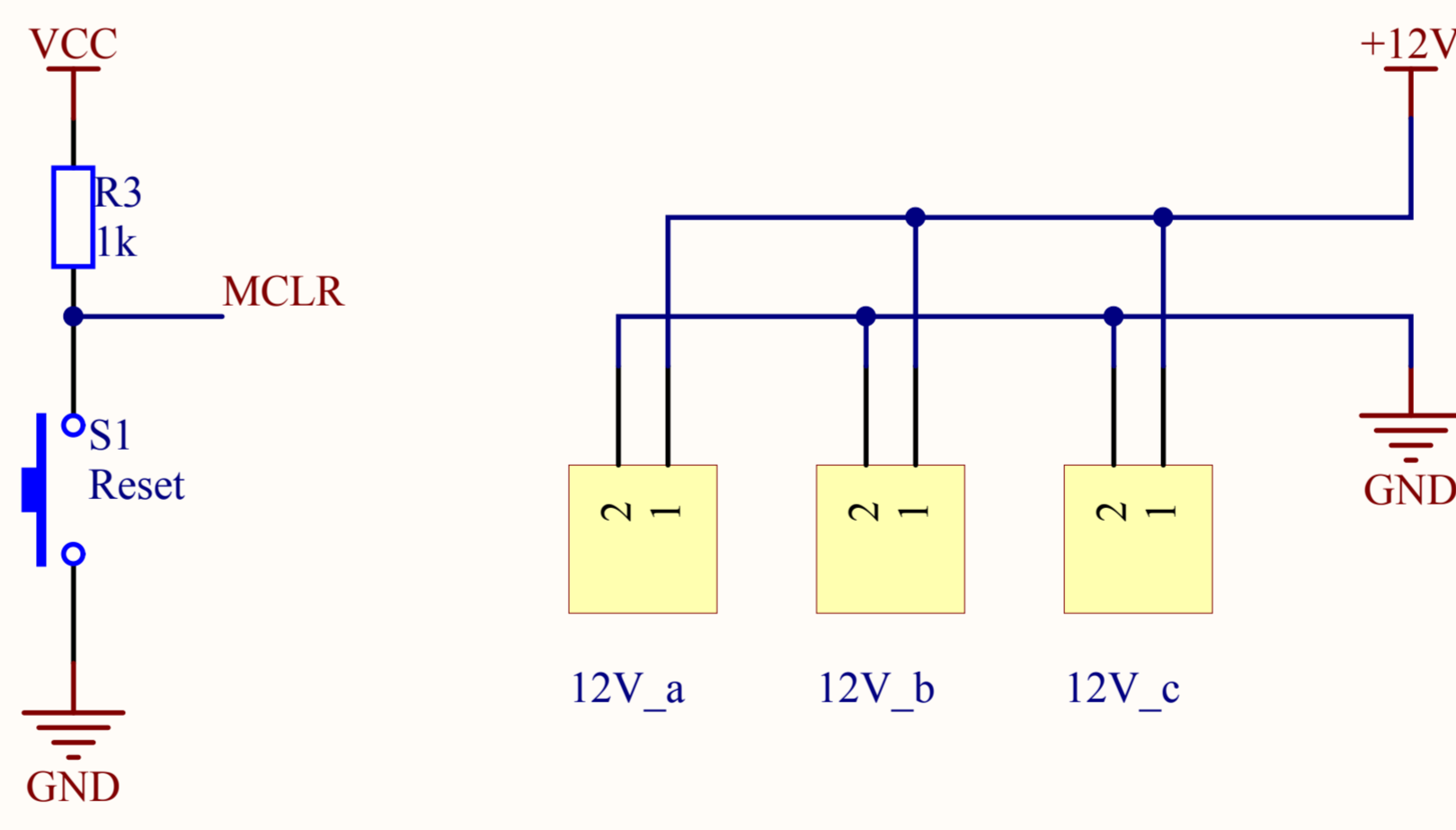
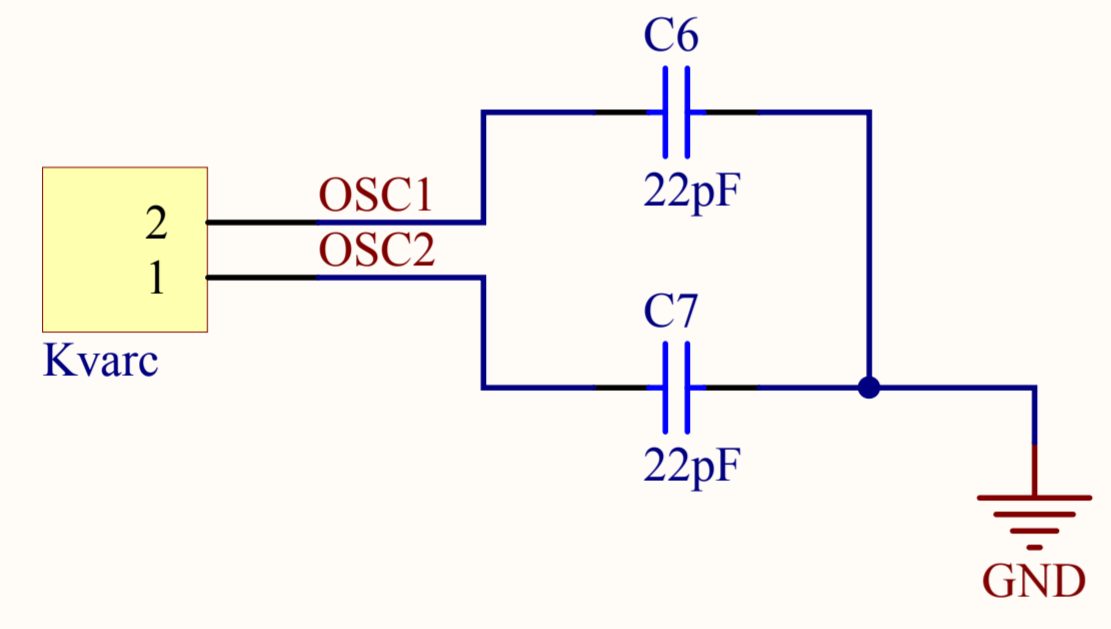
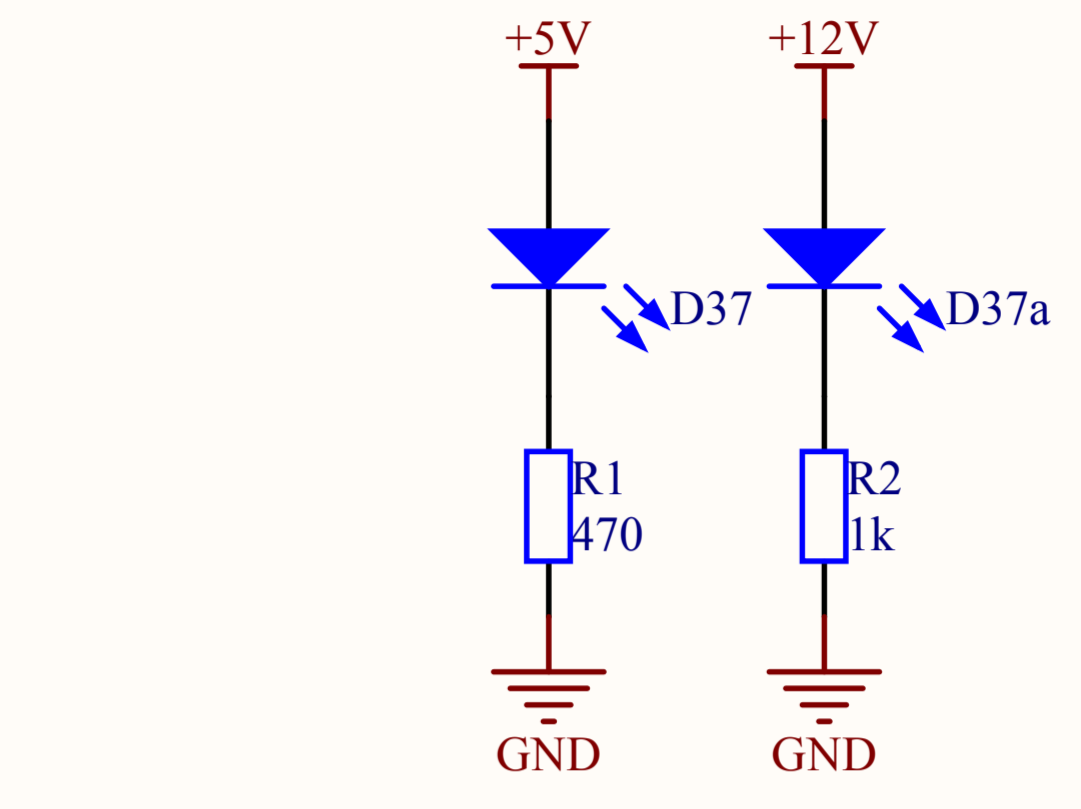
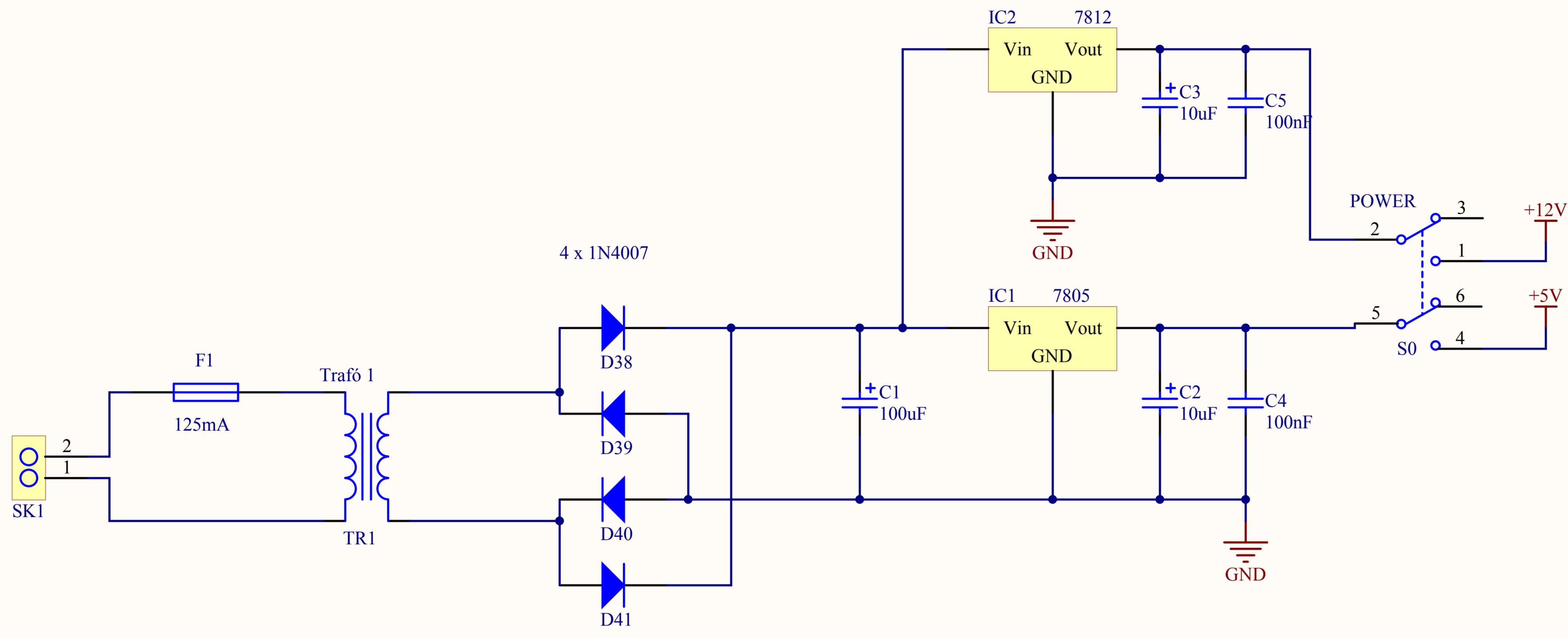
| | | |
|--|---------------------------------------|-----------|
| Title | | |
| Fel, lehúzó ellenállások és PIC foglalat | | |
| Size | Number | Revision |
| A4 | | |
| Date: | 2008.07.19. | Sheet of |
| File: | C:\----- Elektronika -----\Sheet1.SCH | Drawn By: |



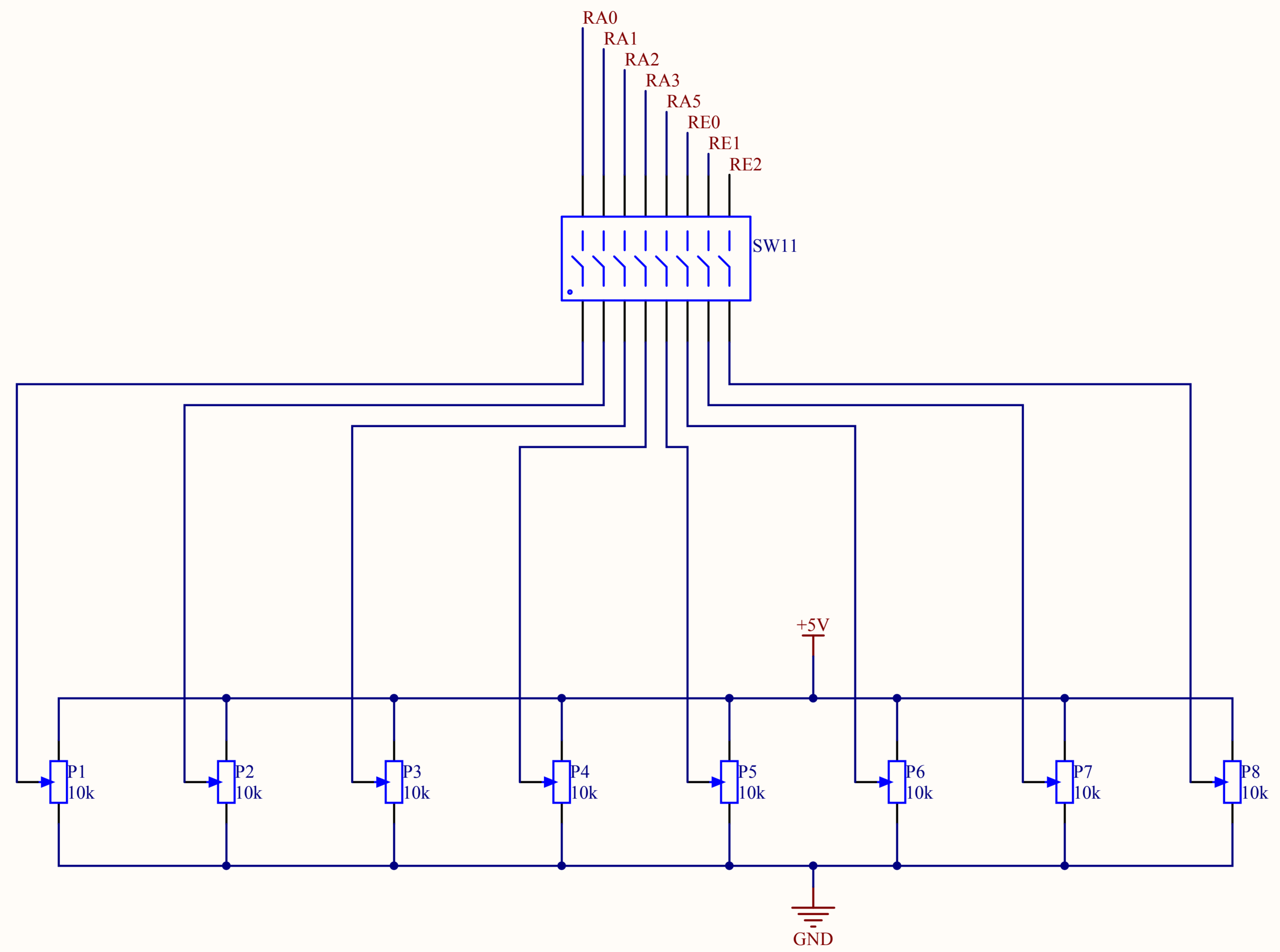
| | | |
|---|-----------|----------|
| Title Nyomógombok | | |
| Size A4 | Number | Revision |
| Date: 2008.07.19. | Sheet of | |
| File: C:\----- Elektronika -----\Sheet2.SchDoc | Drawn By: | |



| | | |
|--|-----------|----------|
| Title LED kijelzések | | |
| Size A4 | Number | Revision |
| Date: 2008.07.19. | Sheet of | |
| File: C:\----- Elektronika -----\Sheet3.Sch | Drawn By: | |



| | | |
|---|--|-----------|
| Title | | |
| Táp, oszillátor, reset, PICKIT2 és soros portok | | |
| Size | Number | Revision |
| A4 | | |
| Date: | 2008.07.19. | Sheet of |
| File: | C:\----- Elektronika -----\Sheet4.SchDoc | Drawn By: |



| | | |
|---------------------------|--|-----------|
| Title | | |
| Analóg bemenetek áramköre | | |
| Size | Number | Revision |
| A4 | | |
| Date: | 2008.07.19. | Sheet of |
| File: | C:\----- Elektronika -----\Sheet5.SchDoc | Drawn By: |