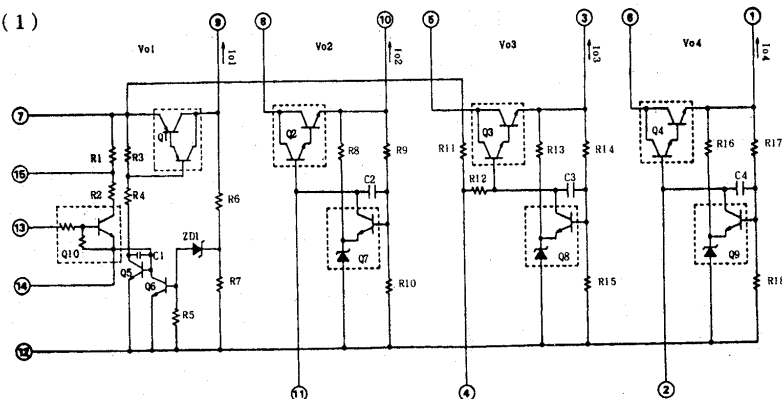


SECONDARY REGULATOR FOR VTR ELECTRIC EQUIPMENT 【2】 (VTR 及び 電子機器用)

Family シリーズ名	Constitution 構成	Maximum Rating 最大定格			Type No 機種	Output1			Output2		
		Vin(DC)	Tc max	Tstg		Vo	Io		Vo	Io	
		max V	°C	°C			A	A		V	A
STK 5420	Series Reg. × 4	30	105		STK 5421 STK 5422	16.0 13.0	1.0 1.0	2.5 2.5	9.55 9.50	1.0 1.0	2.0 2.0
STK 5430	Series Reg. × 4	30	105	-30 ~	STK 5431 5434 5436	15.0 16.0 13.0	1.0 2.0 1.5	2.5 2.5 2.0	9.50 9.00 9.50	1.0 1.5 1.5	2.0 2.0 2.0
STK 5440	Series Reg. × 3	30	105	+105	STK 5441 STK 5443	12.0 12.0	2.0 2.0	2.5 2.5	9.00 9.00	1.0 1.0	2.0 2.0
STK 5450	Series Reg. × 3	30	105		STK 5451	16.0 —	1.0 —	2.5 —	— 12.00	— 1.0	— 2.5

■ EQUIVALENT CIRCUIT (1)



■ FEATURES

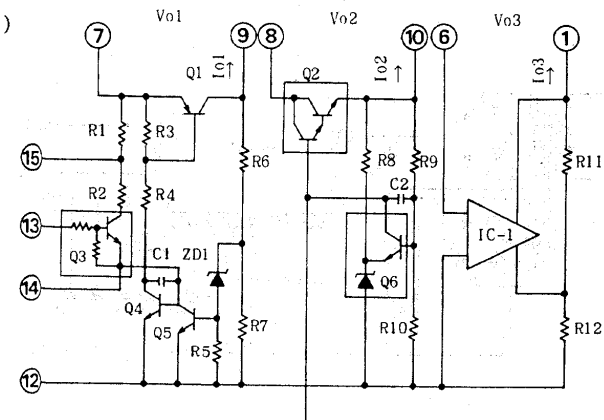
- 3 or 4 Outputs/Package
- Low sat type(Hi efficiency)
- High-precision setting of output voltage
- With cut off function

■ 特長

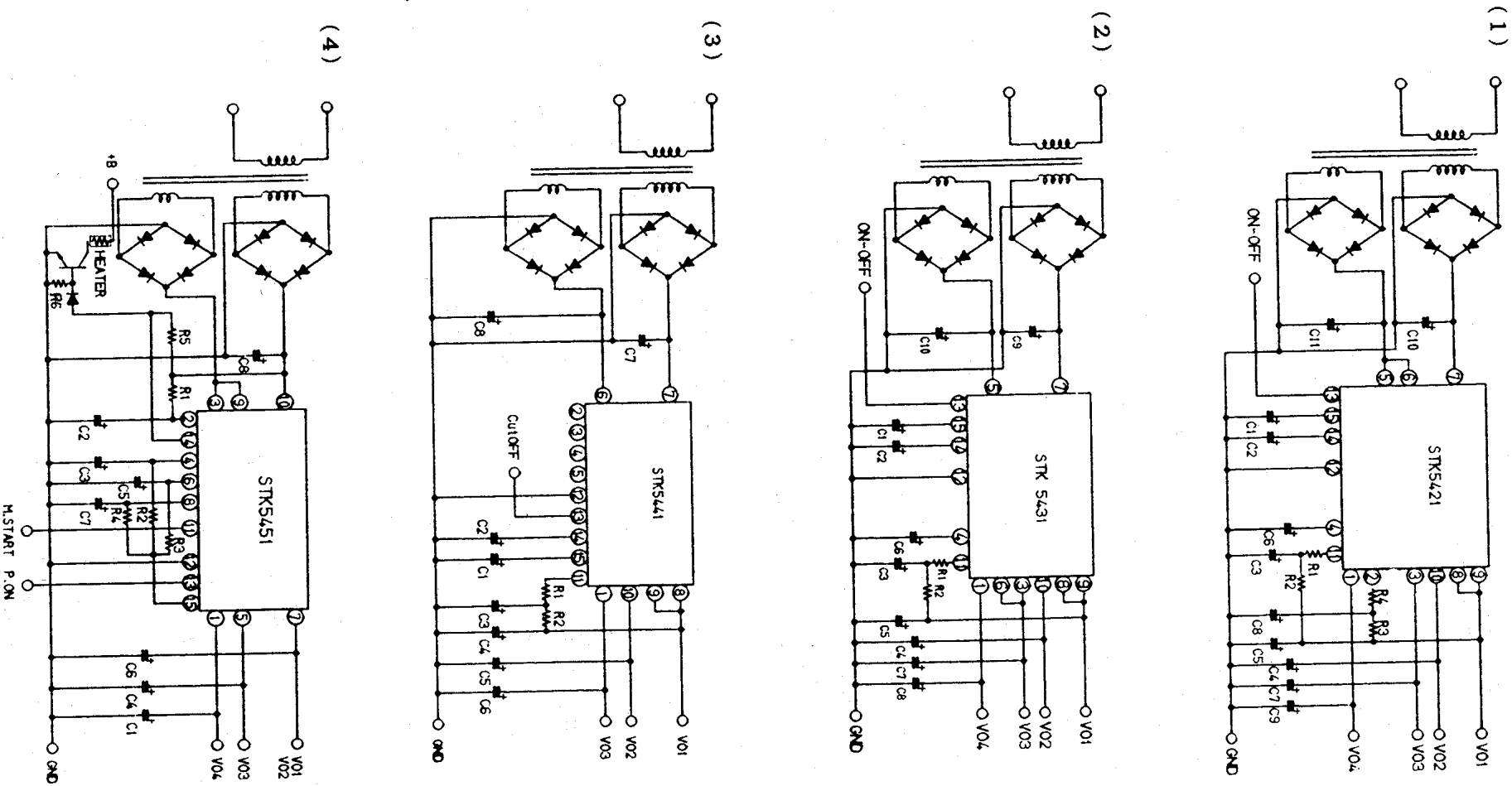
- 3又は、4出力ノ
- ローサットタイプ
- 出力電圧の高精度設
- カットオフ機能付

Output3			Output4			Equivalent Circuit 等価回路	Applica- tion 応用回路	Package 外形図
Vo	Io		Vo	Io				
	Av	Pk		Av	Pk			
V	A	A	V	A	A			
12.0	1.0	3.0	12.3	0.5	1.0	(1)	(1)	(1)
12.0	0.5	1.0	12.0	1.0	2.0	(1)	(1)	(1)
12.0	1.0	3.0	5.1	0.5		(2)	(2)	(1)
12.0	1.0	3.0	5.1	0.5		(2)	(2)	(1)
12.0	1.5	2.0	6.0	0.5		(2)	(2)	(1)
5.5	0.5					(3)	(3)	(2)
5.8	0.5					(3)	(3)	(2)
12.0	1.5	2.5	11.9	1.5	2.5	(4)	(4)	(1)

(3)



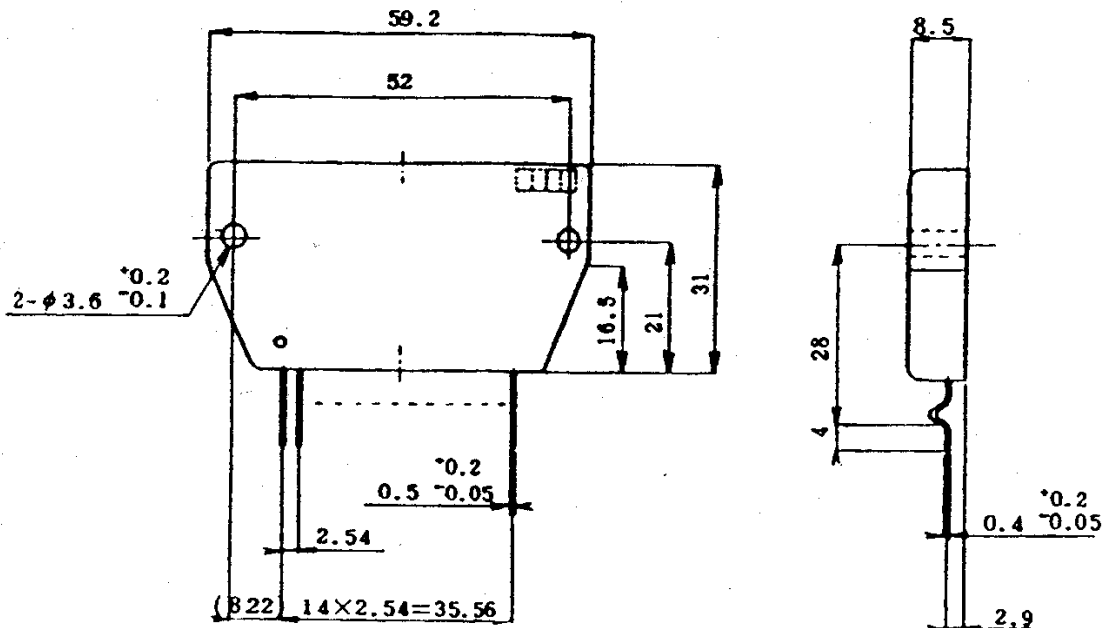
■ APPLICATION



SECONDARY REGULATOR FOR VTR ELECTRIC EQUIPMENT [2]

■ PACKAGE DIMENSION

(1)



(2)

