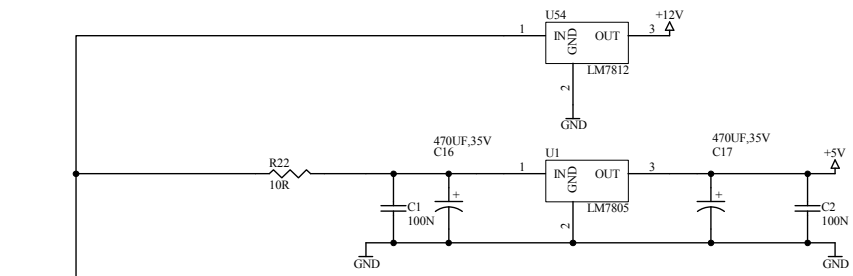
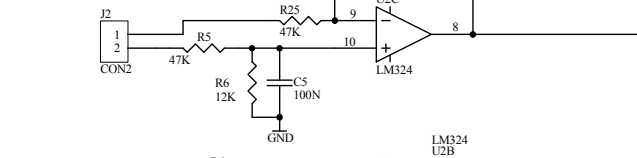


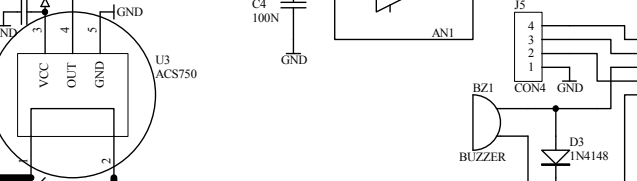
POWER SUPPLY IN



BATTERY SENSE



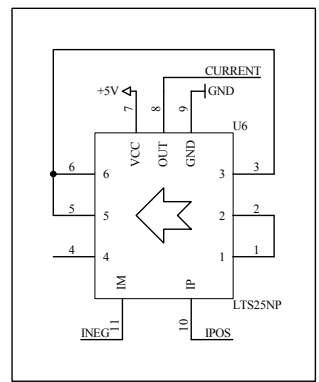
BATTERY FORCE



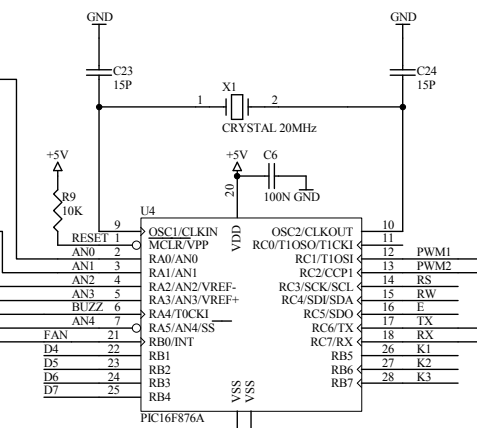
BATTERY FORCE



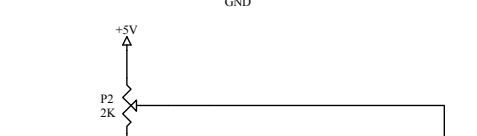
FAN COOLER



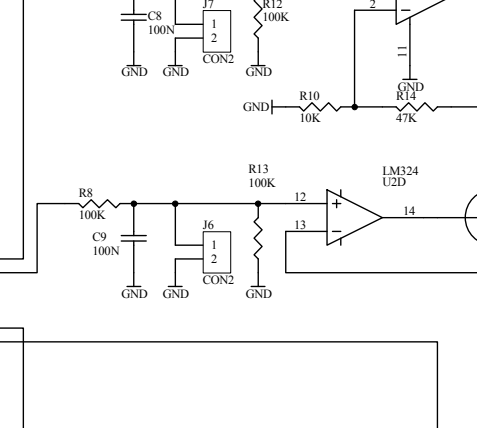
Alternative Current pick-up



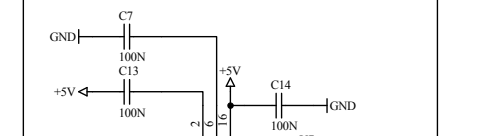
PIC16F876A



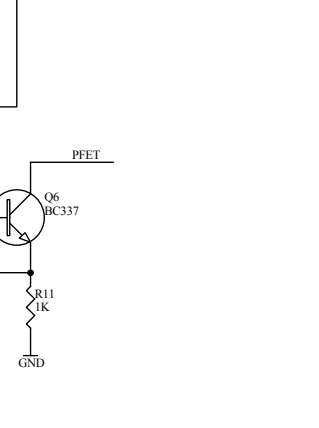
PANEL CONNECTOR



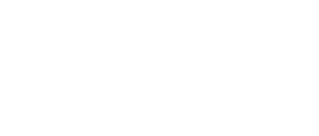
MOTOR DRIVER



MAX232CPE



NEFET MOTOR DRIVER



MAX232CPE