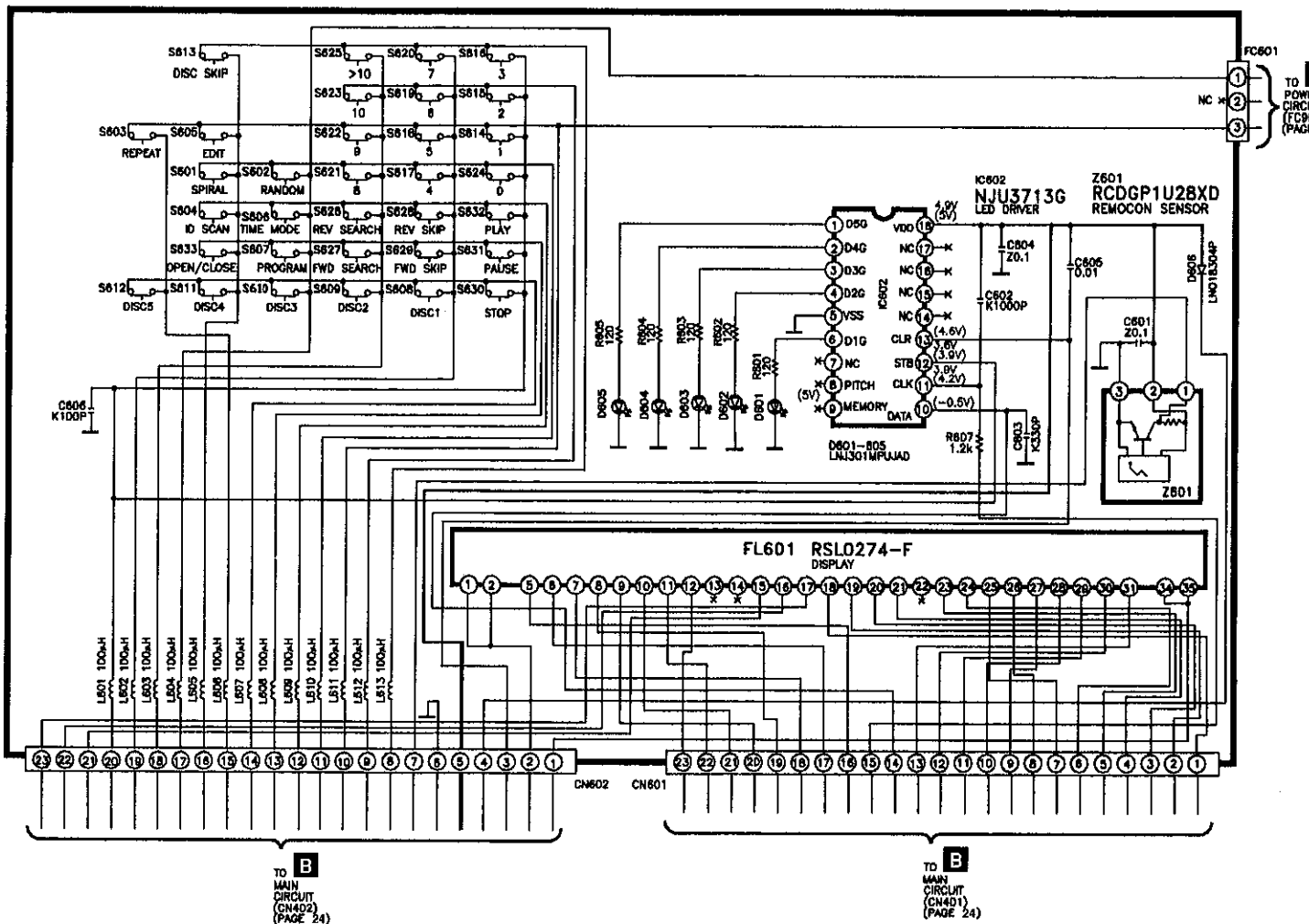


— : +B line

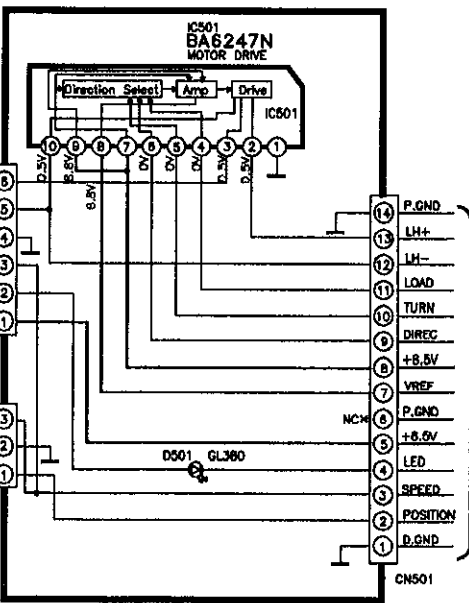
C PANEL CIRCUIT
(P.C.BOARD ON PAGE 28)



TO MAIN CIRCUIT (CN402) (PAGE 24)

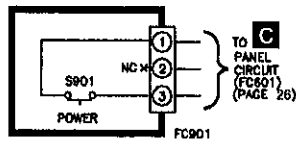
TO MAIN CIRCUIT (CN401) (PAGE 24)

E SENSOR CIRCUIT
(P.C.BOARD ON PAGE 29)

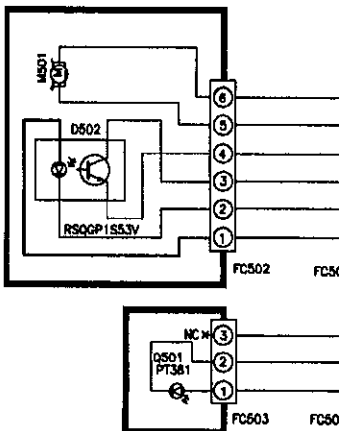


TO MAIN CIRCUIT (CN403) (PAGE 24)

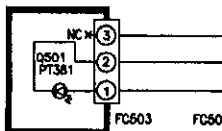
D POWER SWITCH CIRCUIT
(P.C.BOARD ON PAGE 28)



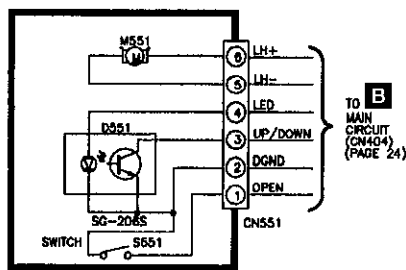
F TRAYMOTOR CIRCUIT
(P.C.BOARD ON PAGE 28)



G PHOTO TRANSISTOR CIRCUIT
(P.C.BOARD ON PAGE 29)



H LOADING MOTOR CIRCUIT
(P.C.BOARD ON PAGE 29)



TO MAIN CIRCUIT (CN404) (PAGE 24)