

10. Circuit Diagrams and PWB Layouts

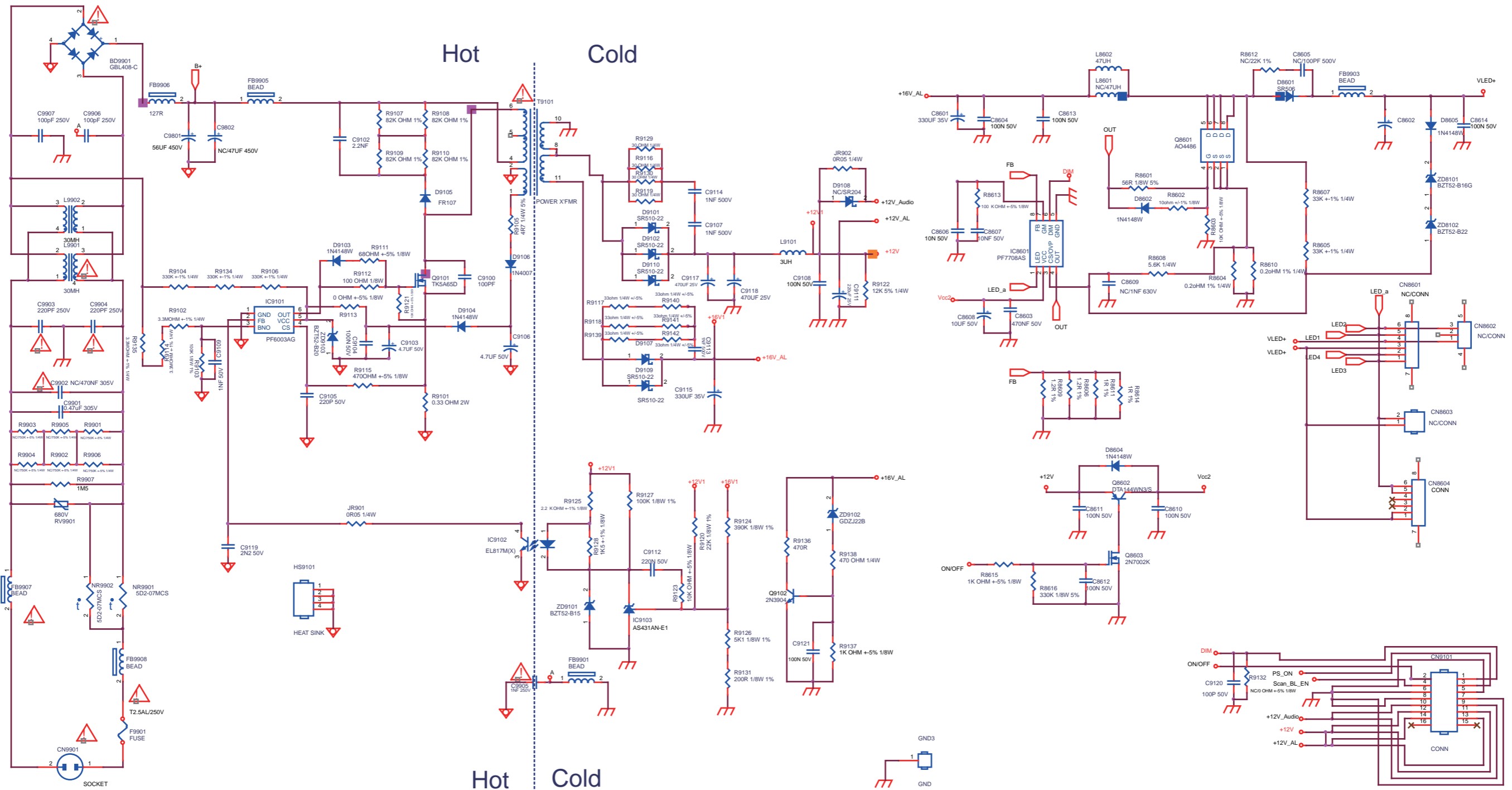
10.1 A 715G6863 PSU

10-1-1 Power

A01

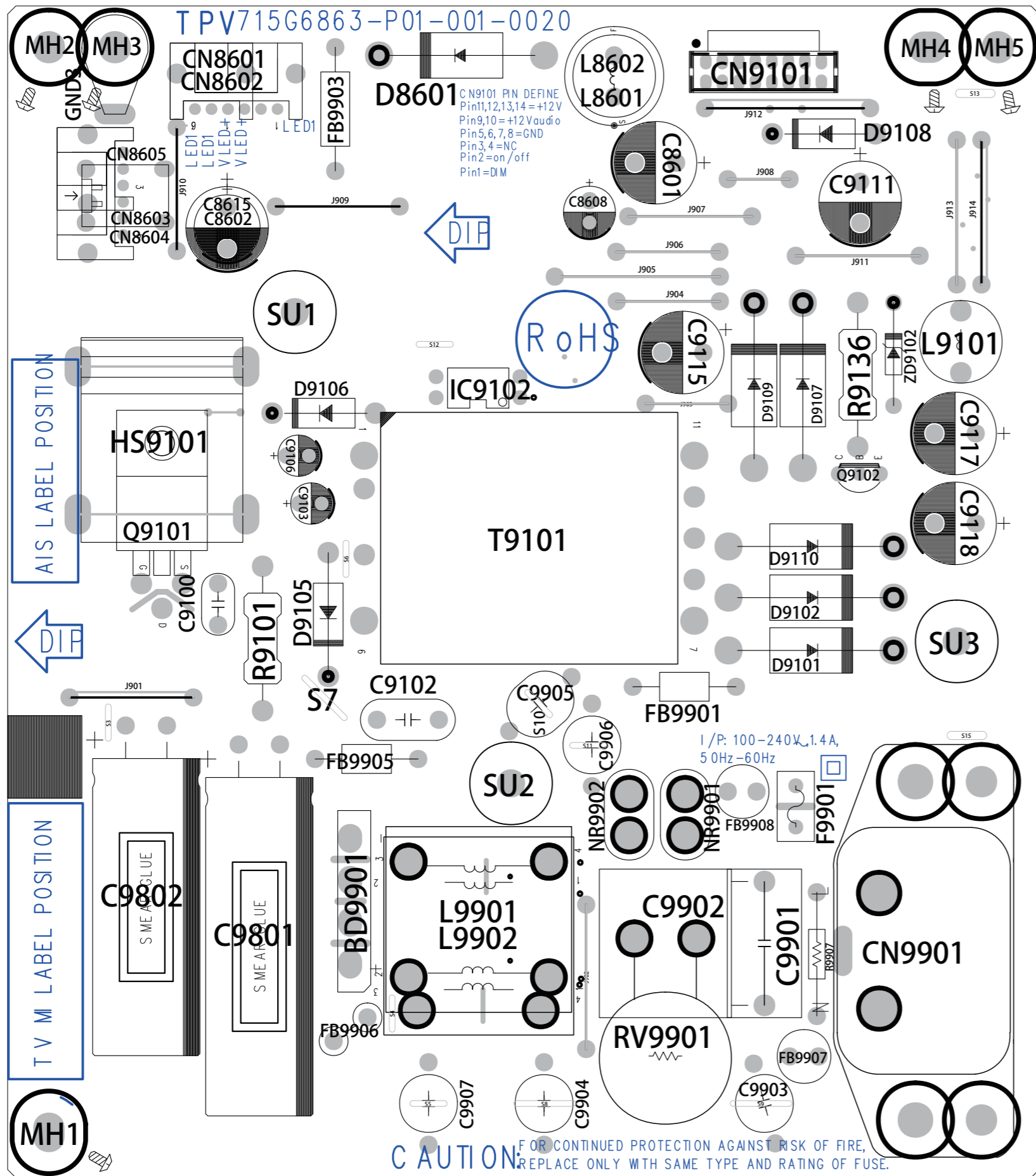
Power

A01



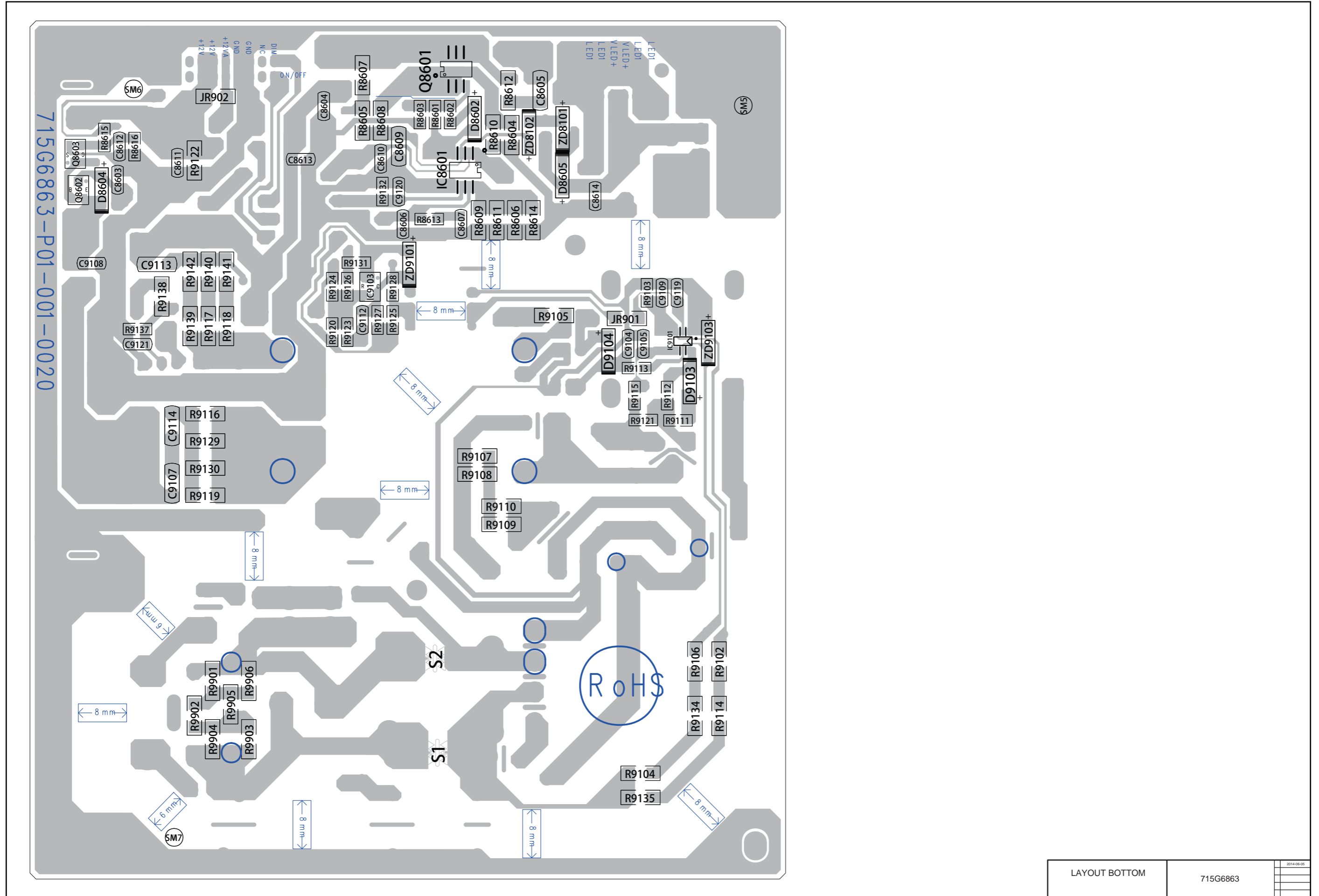
Power	715G6863	3	2014-06-21

10-1-2 Power layout top



LAYOUT TOP	715G6863	2014-08-20
------------	----------	------------

10-1-3 Power layout bottom



LAYOUT BOTTOM	715G6863	2014.06.01