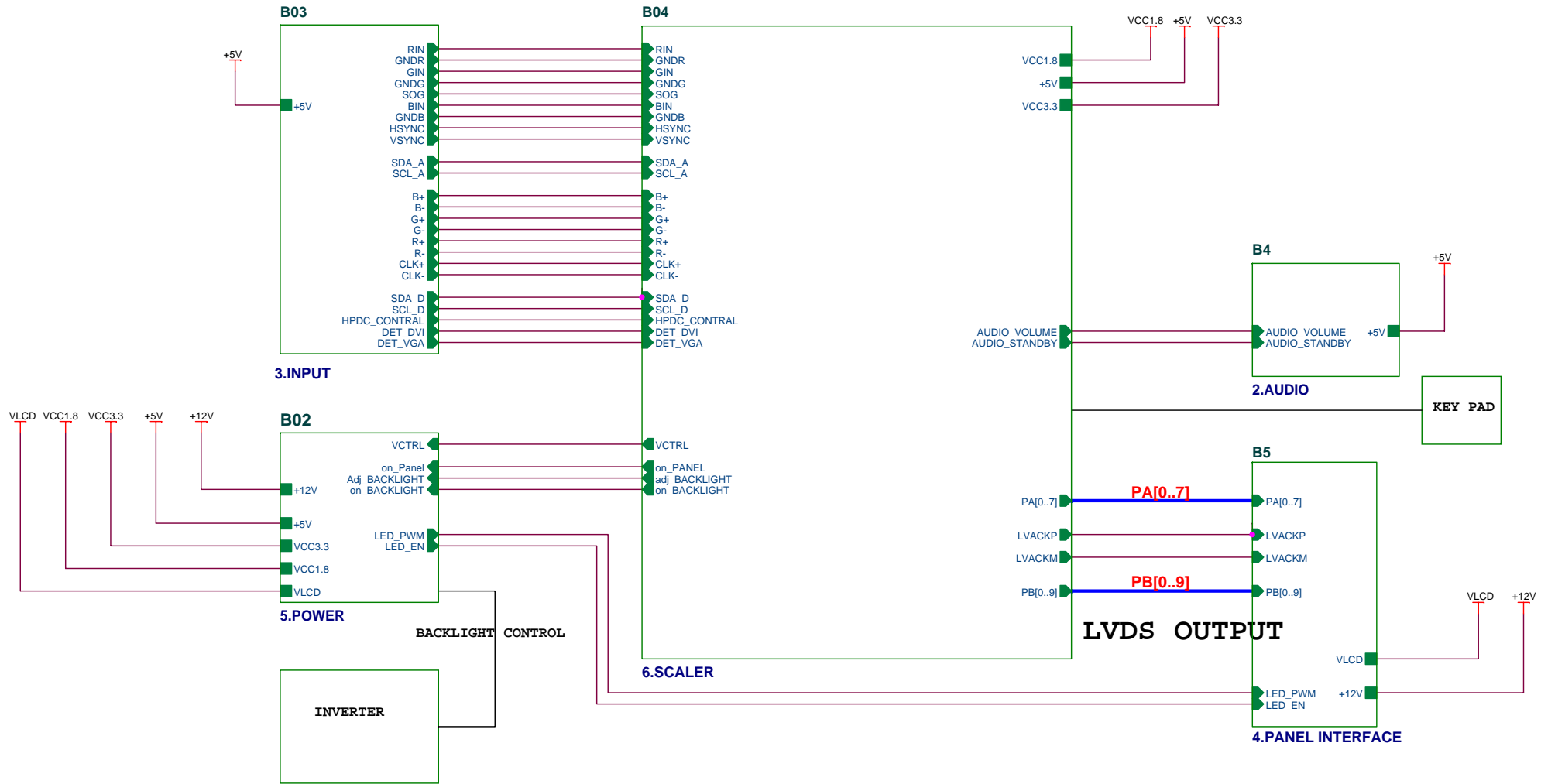
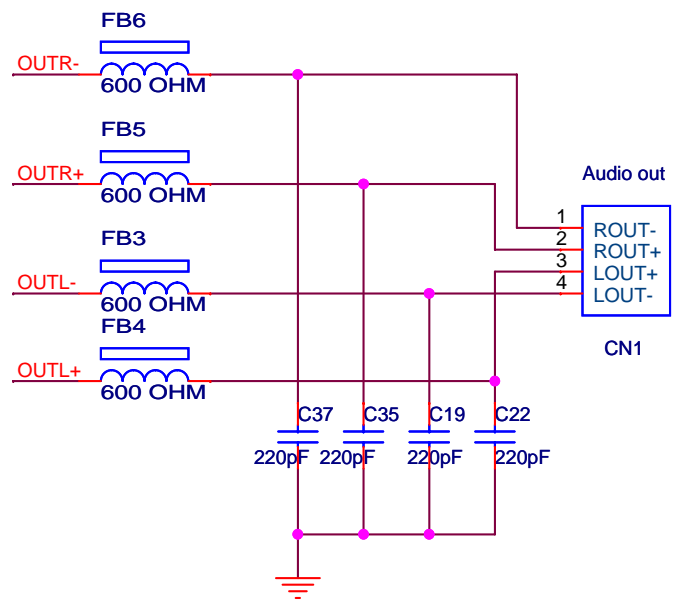
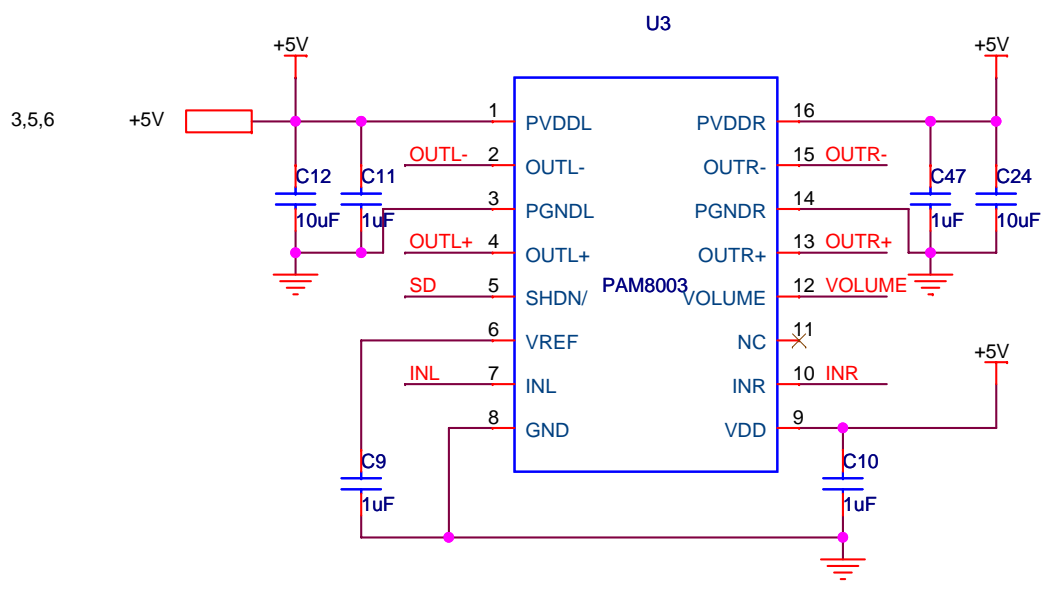
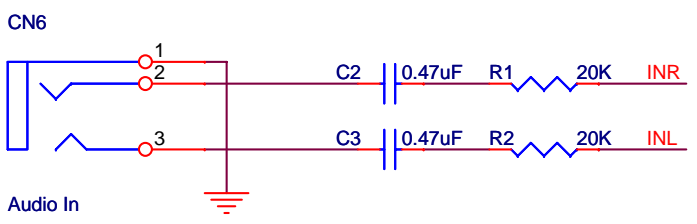
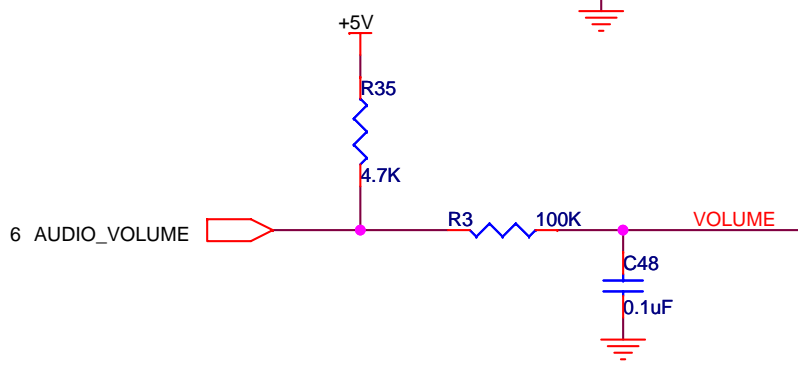
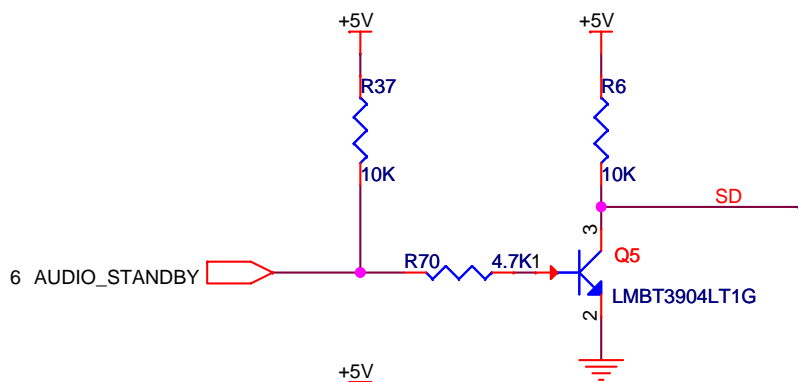


JRY-ML58L-V6.1 DIAGRAM

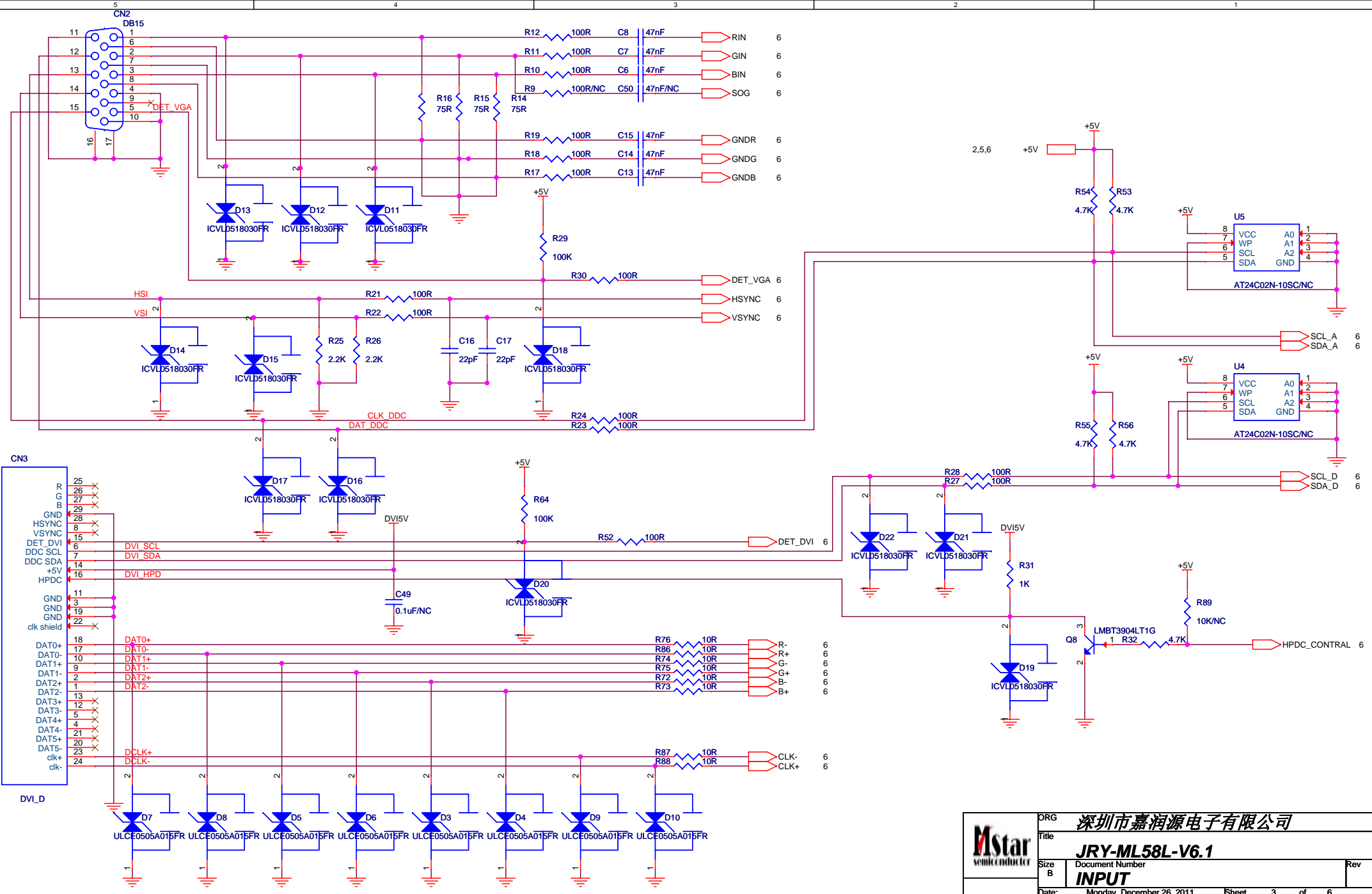
DUAL INPUT Board BLOCK DIAGRAM



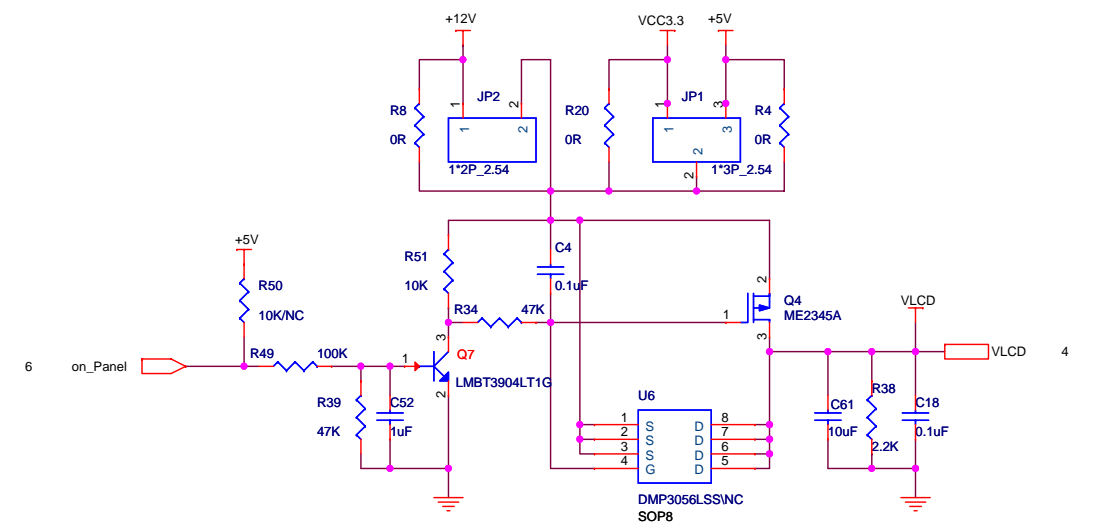
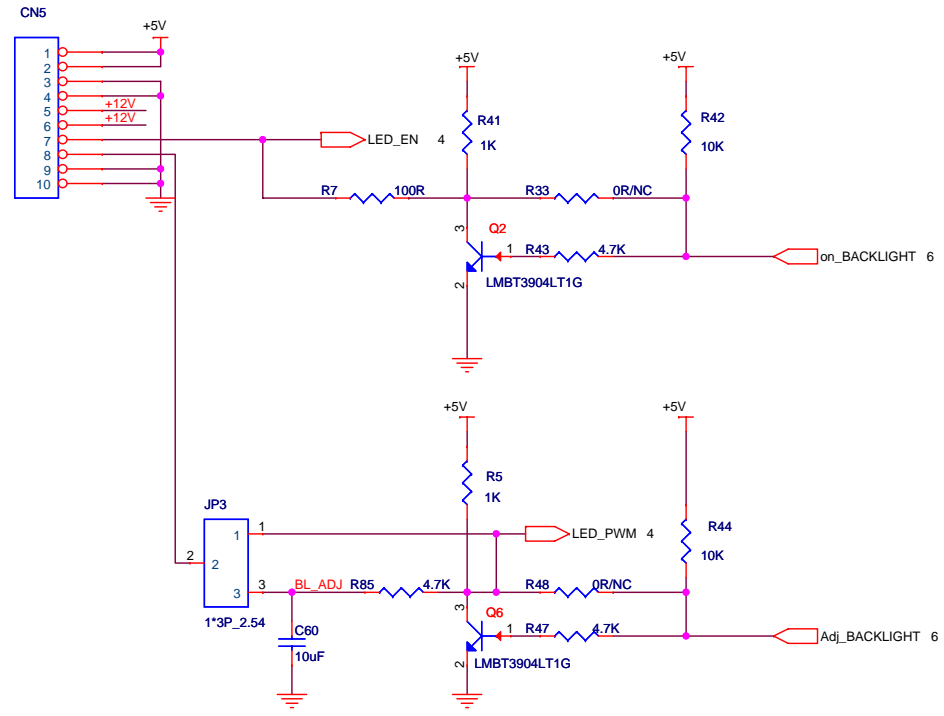
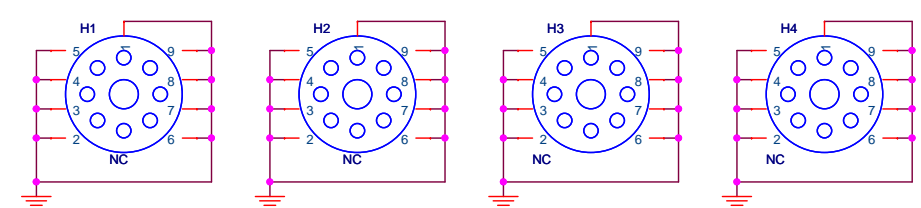
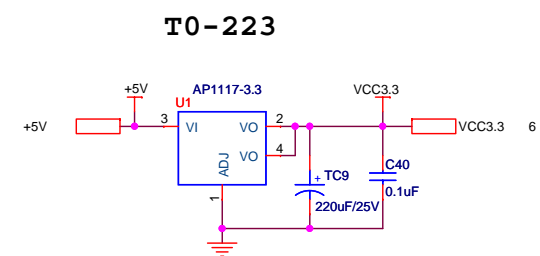
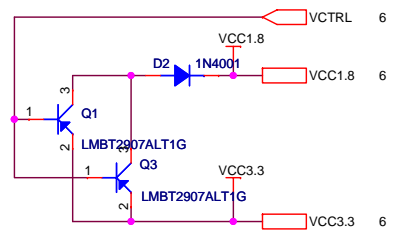
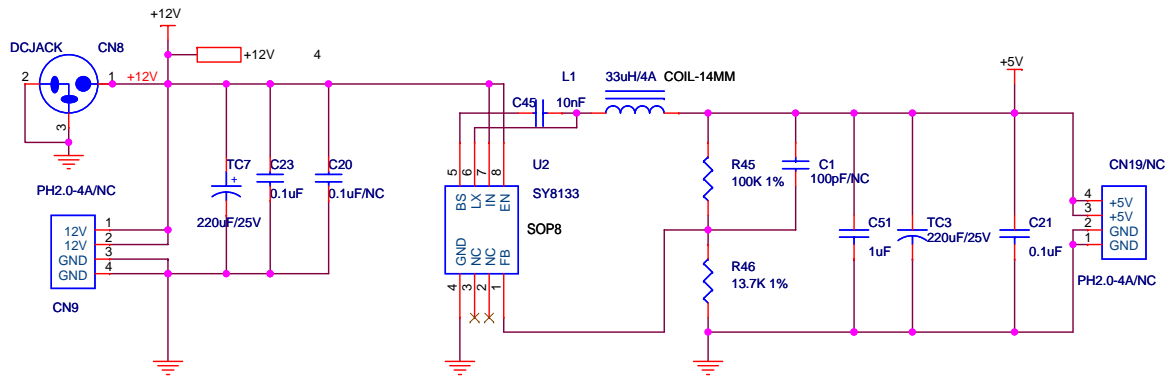
Mstar semiconductor	ORG	深圳市嘉润源电子有限公司		
	Title	JRY-ML58L-V6.1		
Size B	Document Number	Block diagram		Rev
Date:	Monday, December 26, 2011	Sheet	1	of 6



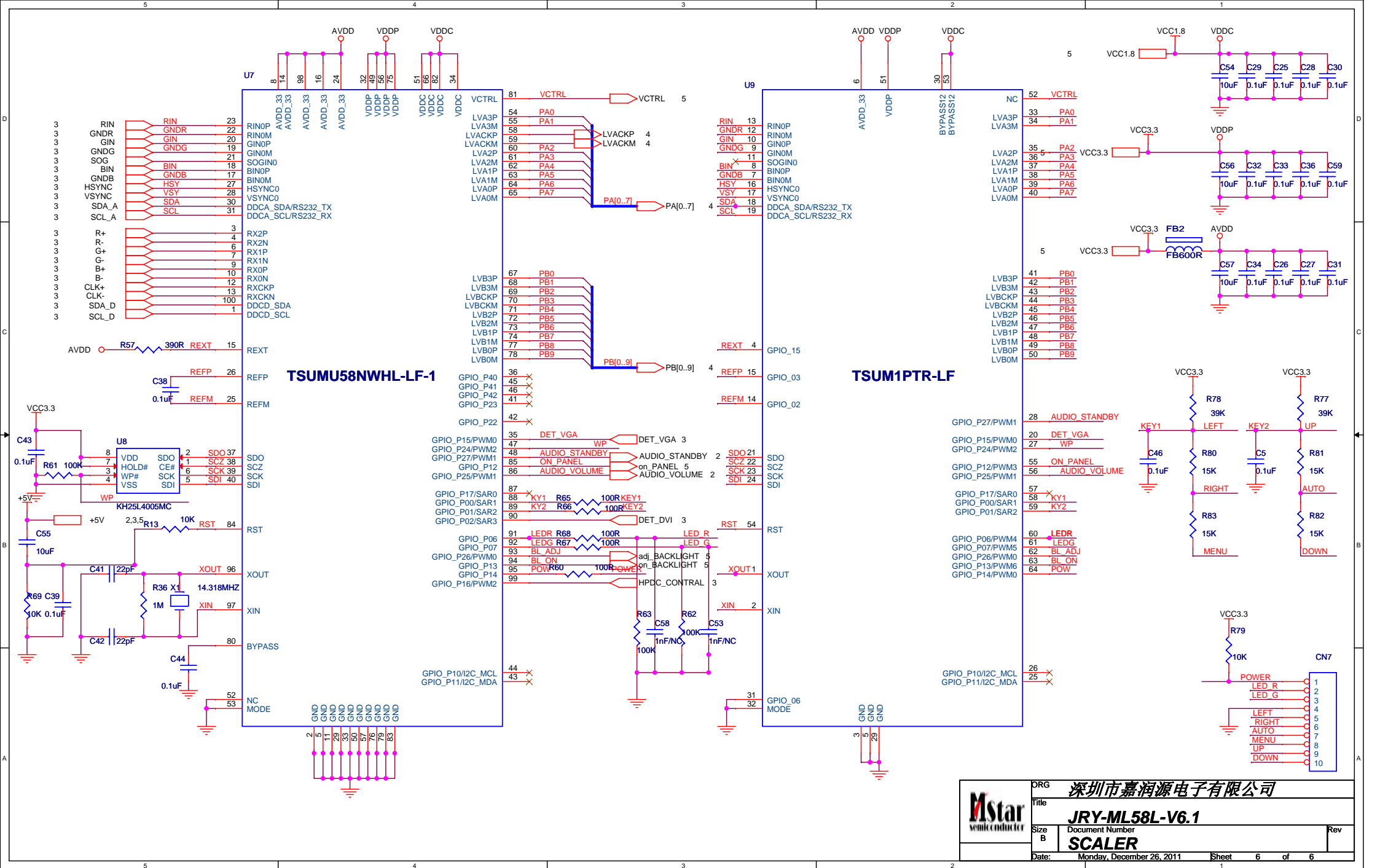
	ORG	深圳市嘉润源电子有限公司		
	Title	JRY-ML58L-V6.1		
Size A	Document Number	AUDIO/PAM8003		Rev
Date:	Monday, December 26, 2011	Sheet	2	of 6



ORG	深圳市嘉润源电子有限公司		
Title	JRY-ML58L-V6.1		
Size	Document Number	Rev	
B	INPUT		
Date:	Monday, December 26, 2011	Sheet	3 of 6



ORG	深圳市嘉润源电子有限公司		
Title	JRY-ML58L-V6.1		
Size	Document Number		Rev
B	POWER(DC TO DC)		
Date:	Monday, December 26, 2011	Sheet	5 of 6



ORG	深圳市嘉海源电子有限公司		
Title	JRY-ML58L-V6.1		
Size	Document Number	Rev	
B	SCALER		
Date:	Monday, December 26, 2011	Sheet	6 of 6