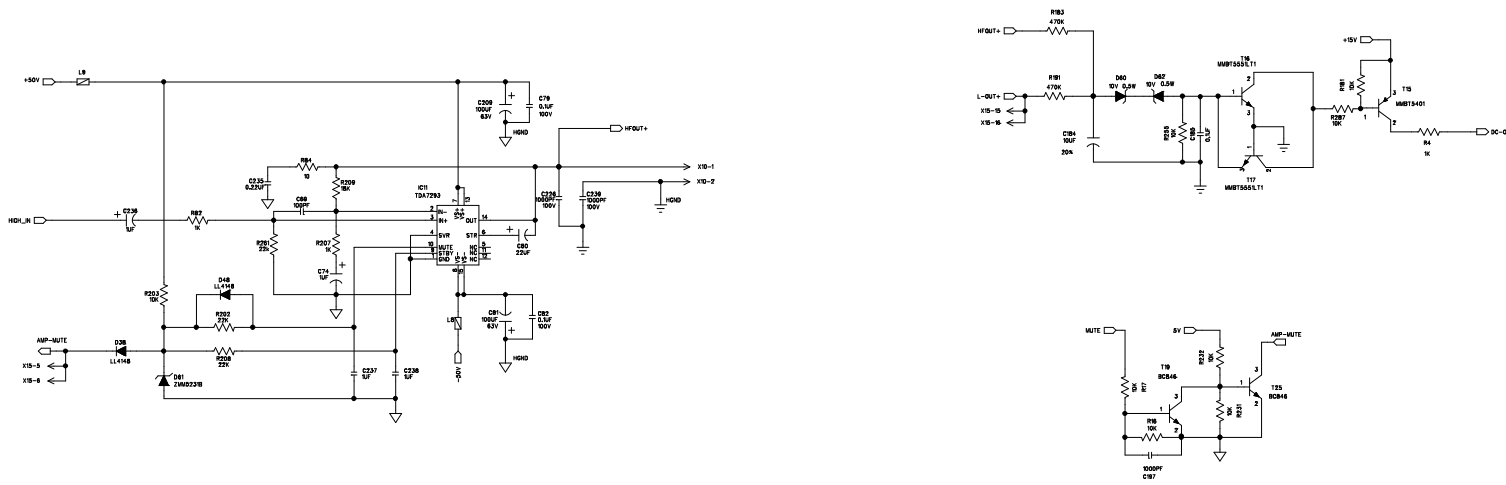
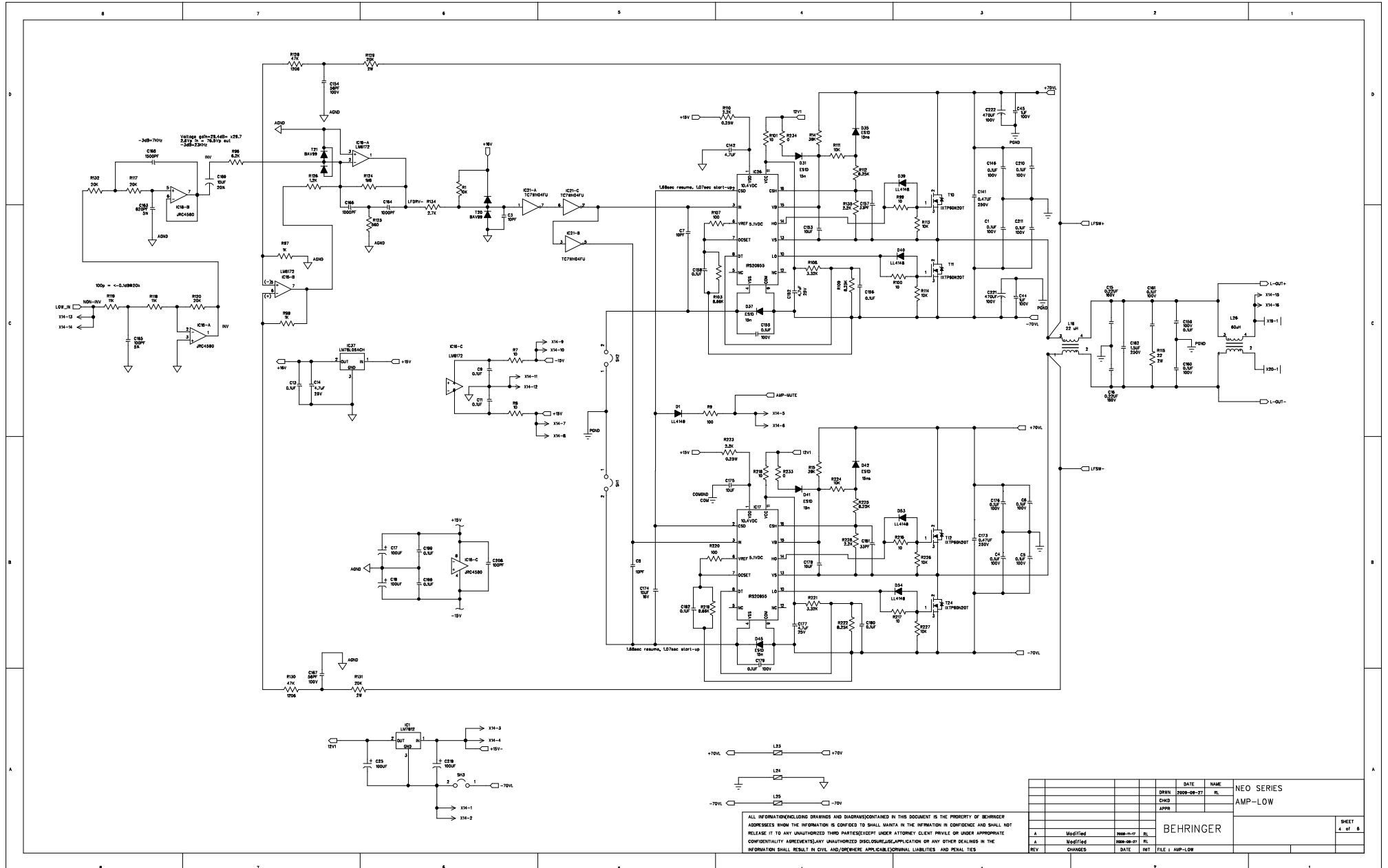


ALL INFORMATION (INCLUDING DRAWINGS AND DIAGRAMS) CONTAINED IN THIS DOCUMENT IS THE PROPERTY OF BEHRINGER ADDRESSES WHOM THE INFORMATION IS CONFIDED TO SHALL WANT IN THE INFORMATION IN CONFIDENCE AND SHALL NOT RELEASE IT TO ANY UNAUTHORIZED THIRD PARTIES (EXCEPT UNDER ATTORNEY-CLIENT PRIVILEGE OR UNDER APPROPRIATE CONFIDENTIALITY AGREEMENTS) ANY UNAUTHORIZED DISCLOSURE, APPLICATION OF ANY OTHER DEALINGS IN THE INFORMATION SHALL RESULT IN CIVIL AND/OR OTHER APPLICABLE LAWFUL LIABILITIES AND PENAL TIES.		DATE	NAME	NEO SERIES DSP	SHEET 2 of 6
DRN	2009-08-27	RL			
CHG					
APP					
Mod/Tag	2009-08-27	RL	BEHRINGER		
REV	CHANGES	DATE	RET	FILE : DSP	

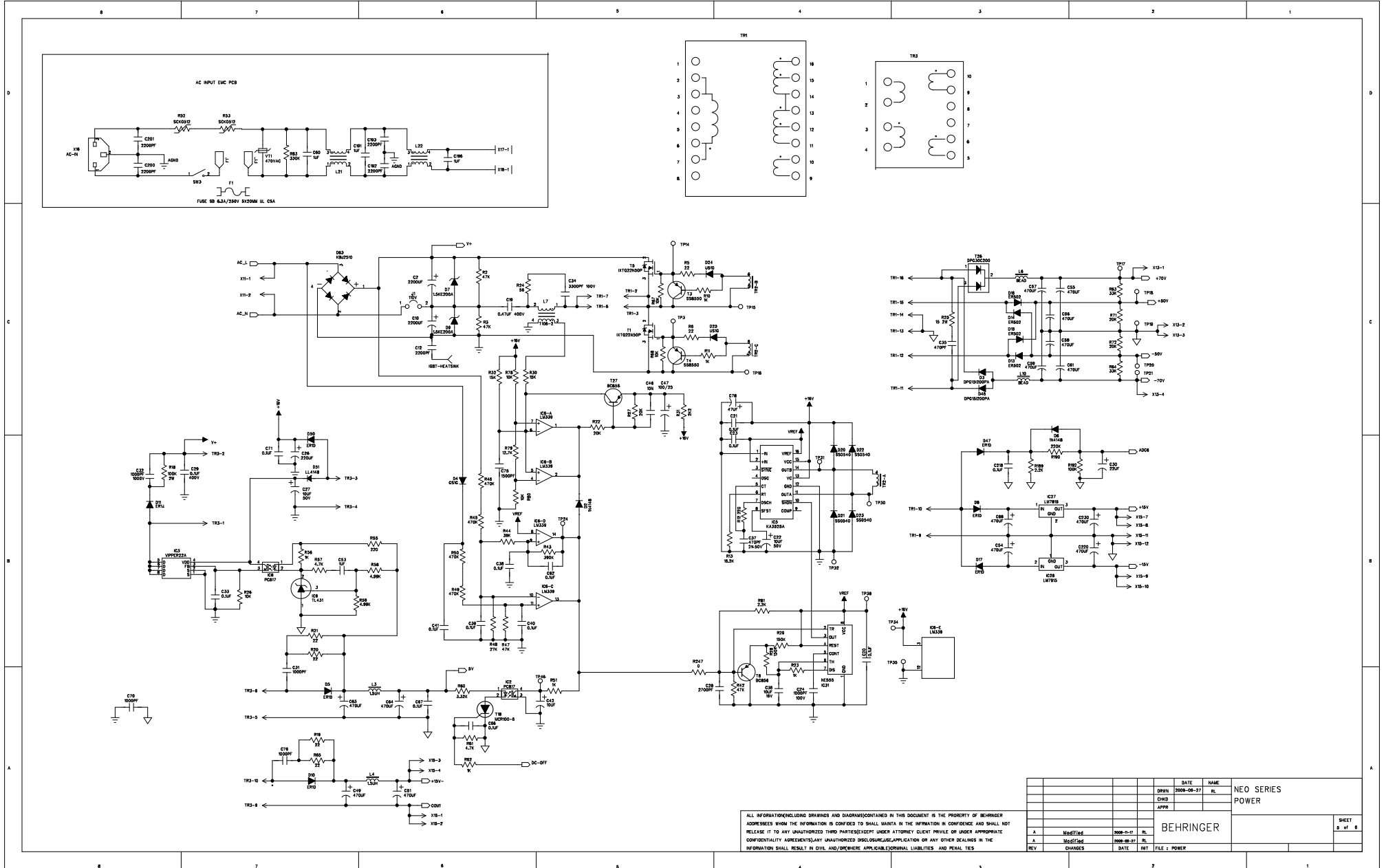


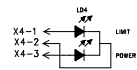
ALL INFORMATION (INCLUDING DRAWINGS AND DIAGRAMS) CONTAINED IN THIS DOCUMENT IS THE PROPERTY OF BEHRINGER ADDRESSES WHOM THE INFORMATION IS CONFIDED TO SHALL MAINTAIN THE INFORMATION IN CONFIDENCE AND SHALL NOT RELEASE IT TO ANY UNAUTHORIZED THIRD PARTY EXCEPT UNDER ATTORNEY-CLIENT PRIVILEGE OR UNDER APPROPRIATE CONFIDENTIALITY AGREEMENTS. ANY UNAUTHORIZED DISCLOSURE, REPRODUCTION OR ANY OTHER DEALINGS IN THE INFORMATION SHALL RESULT IN CIVIL AND/OR OTHER APPLICABLE LIABILITIES AND PENAL TIES.		DATE	NAME	NEO SERIES AMP-HI	SHEET 3 of 6
DRN	2008-08-27	RL			
CHD					
APP					
REV	1	DATE	2008-08-27	NAME	RL
		CHANGES			
		DATE		NAME	
		DATE		NAME	



ALL INFORMATION (INCLUDING DRAWINGS AND DIAGRAMS) CONTAINED IN THIS DOCUMENT IS THE PROPERTY OF BEHRINGER ADDRESSES WHOM THE INFORMATION IS CONFIDED TO SHALL MAINTAIN THE INFORMATION IN CONFIDENCE AND SHALL NOT RELEASE IT TO ANY UNAUTHORIZED THIRD PARTY WITHOUT THE WRITTEN PERMISSION OF BEHRINGER. BEHRINGER ASSUMES NO LIABILITY FOR ANY UNAUTHORIZED REPRODUCTION OR APPLICATION OF ANY OTHER DEVICES IN THE INFORMATION SHALL RESULT IN CIVIL AND/OR OTHER APPLICABLE CRIMINAL LIABILITIES AND PENAL TIES.

DATE	NAME	NEO SERIES
2008-08-27	RL	AMP-LOW
BEHRINGER		
DATE	RET FILE	AMP-LOW





ALL INFORMATION (INCLUDING DRAWINGS AND DIAGRAMS) CONTAINED IN THIS DOCUMENT IS THE PROPERTY OF BEHRINGER ADDRESSEES WHOM THE INFORMATION IS CONFIDED TO SHALL MAINTAIN THE INFORMATION IN CONFIDENCE AND SHALL NOT RELEASE IT TO ANY UNAUTHORIZED THIRD PARTIES (EXCEPT UNDER ATTORNEY-CLIENT PRIVILEGE OR UNDER APPROPRIATE CONFIDENTIALITY AGREEMENTS) ANY UNAUTHORIZED DISCLOSURE, APPLICATION OF OR OTHER DEALINGS IN THE INFORMATION SHALL RESULT IN CIVIL AND/OR WHERE APPLICABLE CRIMINAL LIABILITIES AND PENAL TIES

		DATE	NAME	
		2008-08-27	RL	NEO SERIES
				LED
		APPR		
	ModTime	2008-08-27	RL	BEHRINGER
	ModTime	2008-08-27	RL	
REV	CHANGES	DATE	BY	FILE : LED

SHEET 6 of 8