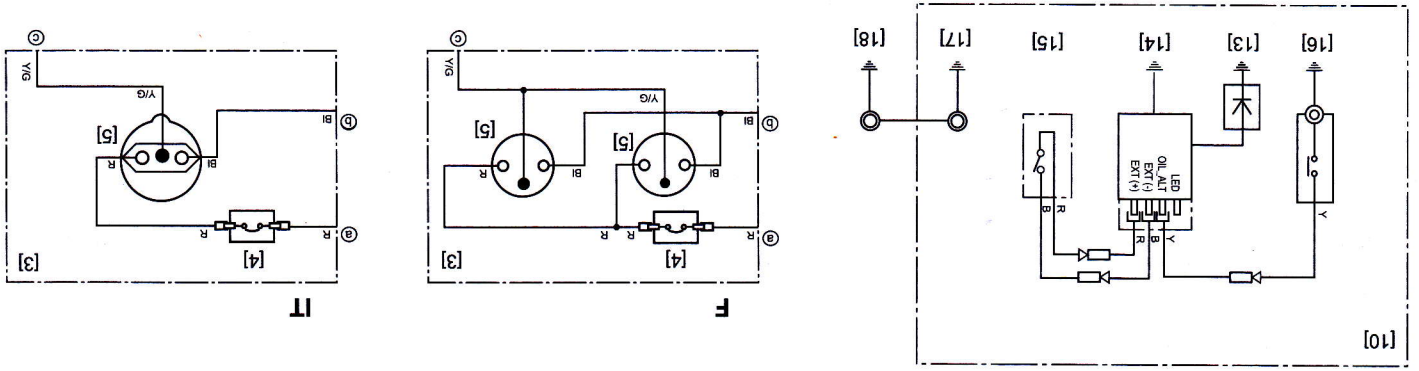
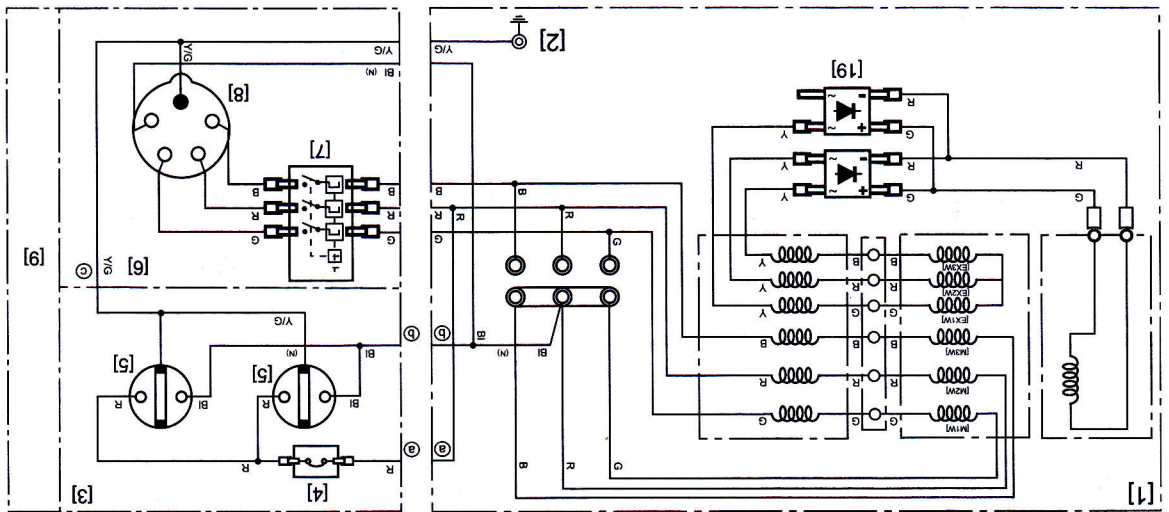


GV, GVM, RG



- [1] Generator block
- [2] Earth terminal
- [3] AC outlet 230 V
- [4] Thermal circuit breakers
- [5] Receptacle 230 V / 16 A (blue)
- [6] AC outlet 400 V
- [7] Protector switch 400 V / 10 A
- [8] Receptacle 400 V / 16 A (red)
- [9] Control box block
- [10] Engine block

[M1W] [M2W] [M3W] Stator winding
 [EX1W] [EX2W] [EX3W] Excitation winding

Wiring color codes

B	Black
Bl	Blue
G	Green
R	Red
W	White
Y	Yellow
Y/G	Yellow / Green

- [11] T-mag unit
- [12] Oil alert unit
- [13] Spark plug
- [14] Ignition coil
- [15] Engine switch
- [16] Oil level switch
- [17] Engine earth
- [18] Frame earth
- [19] Diodes
- (N) Neutral