

● Power Switch/Headphones Jack/Power Transformer (1) (2)/Power Supply Circuit

(Parts list on page 29~32.)

16 17 18 19 20 21 22 23 24 25 26 27 28 29 30 31 32 33 34 35

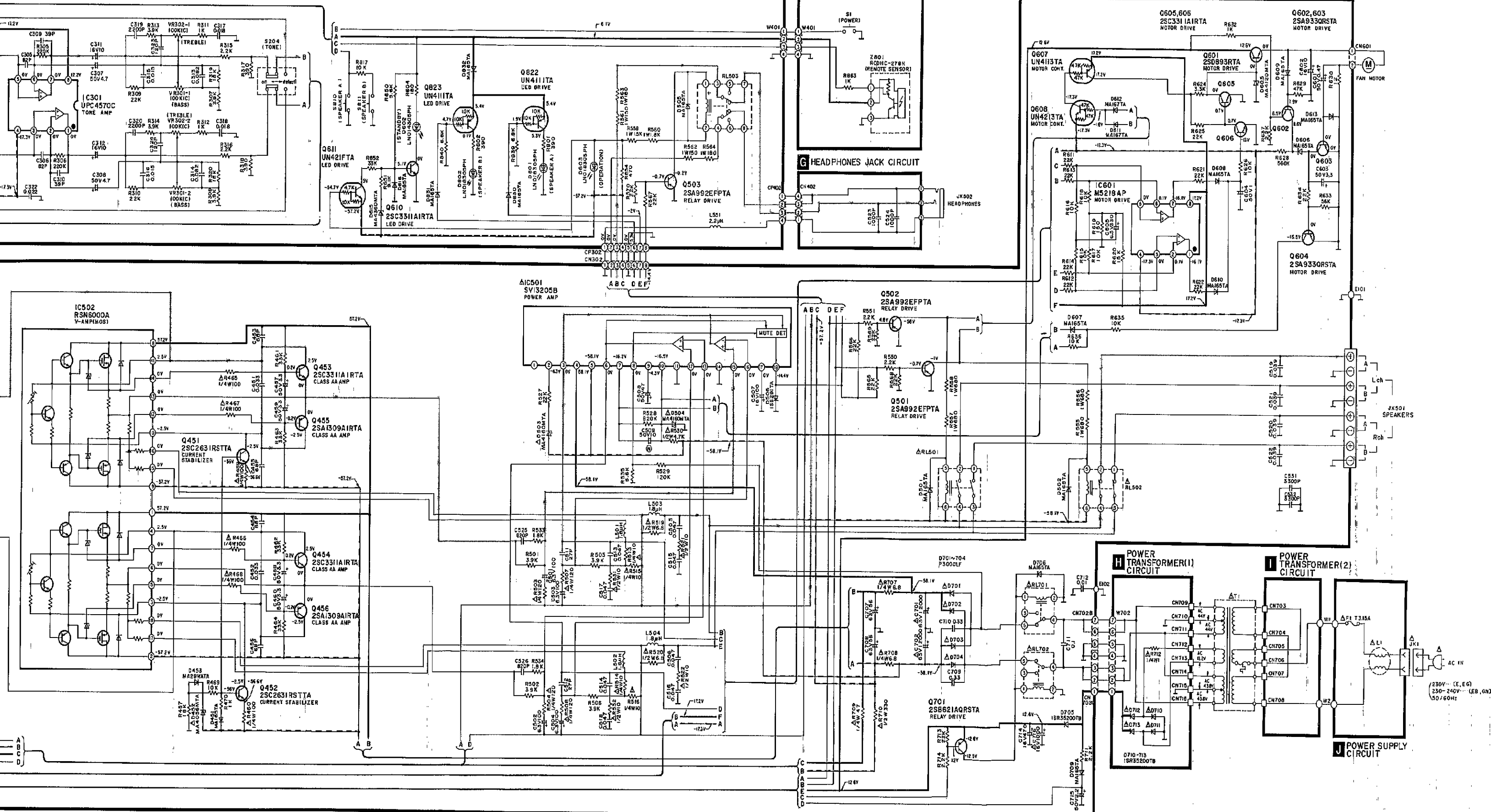
F POWER SWITCH CIRCUIT

G HEADPHONES JACK CIRCUIT

H POWER TRANSFORMER(1) CIRCUIT

I POWER TRANSFORMER(2) CIRCUIT

J POWER SUPPLY CIRCUIT



- Notes:
- S1 : Power Standby ϕ /ON switch.
 - S2 : Voltage select switch in 220 - 240 V position. For (GC) area only.
 - S103: Phono cartridge select switch (PHONO SELECTOR).
 - S204: TONE control switch (ON/DEFEAT).
 - S801: TAPE MONITOR switch.
 - S802: Input selector switch (TAPE 1).
 - S803: Input selector switch (TAPE 2/DCC).
 - S804: Input selector switch (AUX).
 - S805: Input selector switch (CD).
 - S806: Input selector switch (TUNER).
 - S807: Input selector switch (PHONO).
 - S808: Input selector switch (◀).
 - S809: Input selector switch (▶).
 - S810: Speaker select switch (SPEAKER A).
 - S811: Speaker select switch (SPEAKER B).
- Indicated voltage values are the standard values for the unit measured by the DC electronic circuit tester (high-impedance) with the chassis taken as standard. Therefore, there may exist some errors in the voltage values, depending on the internal impedance of the DC circuit tester. No mark: Power ON
- Important safety notice:
Components identified by Δ mark have special characteristics important for safety. Furthermore, special parts which have purposes of fire-retardant (resistors), high-quality sound (capacitors), low-noise (resistors), etc. are used. When replacing any of components, be sure to use only manufacturer's specified parts shown in the parts list.

● This schematic diagram may be modified at any time with the development of new technology.

● Caution!
IC and LSI are sensitive to static electricity. Secondary trouble can be prevented by taking care during repair. Cover the parts boxes made of plastics with aluminum foil. Ground the soldering iron. Put a conductive mat on the work table. Do not touch the legs of IC or LSI with the fingers directly.

● Voltage and signal line

- : Positive voltage line.
- - - : Negative voltage line.
- ~ : Phono signal line.
- : Recording output signal line.

● The supply part number is described alone in the replacement parts list.

Part No.	Production Part No.	Supply Part No.
Z801	RCDHC-237-E	RCDHC-237

