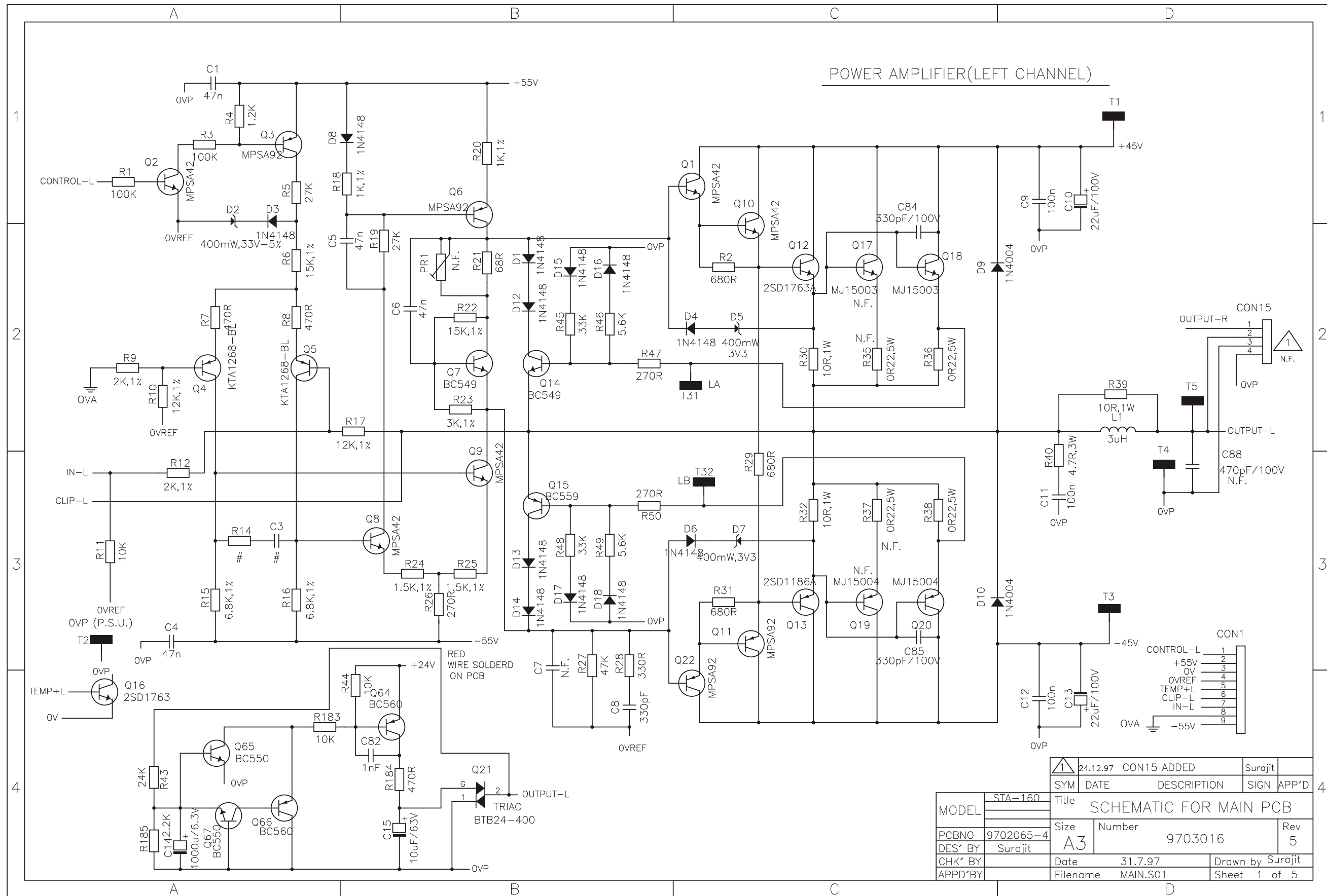


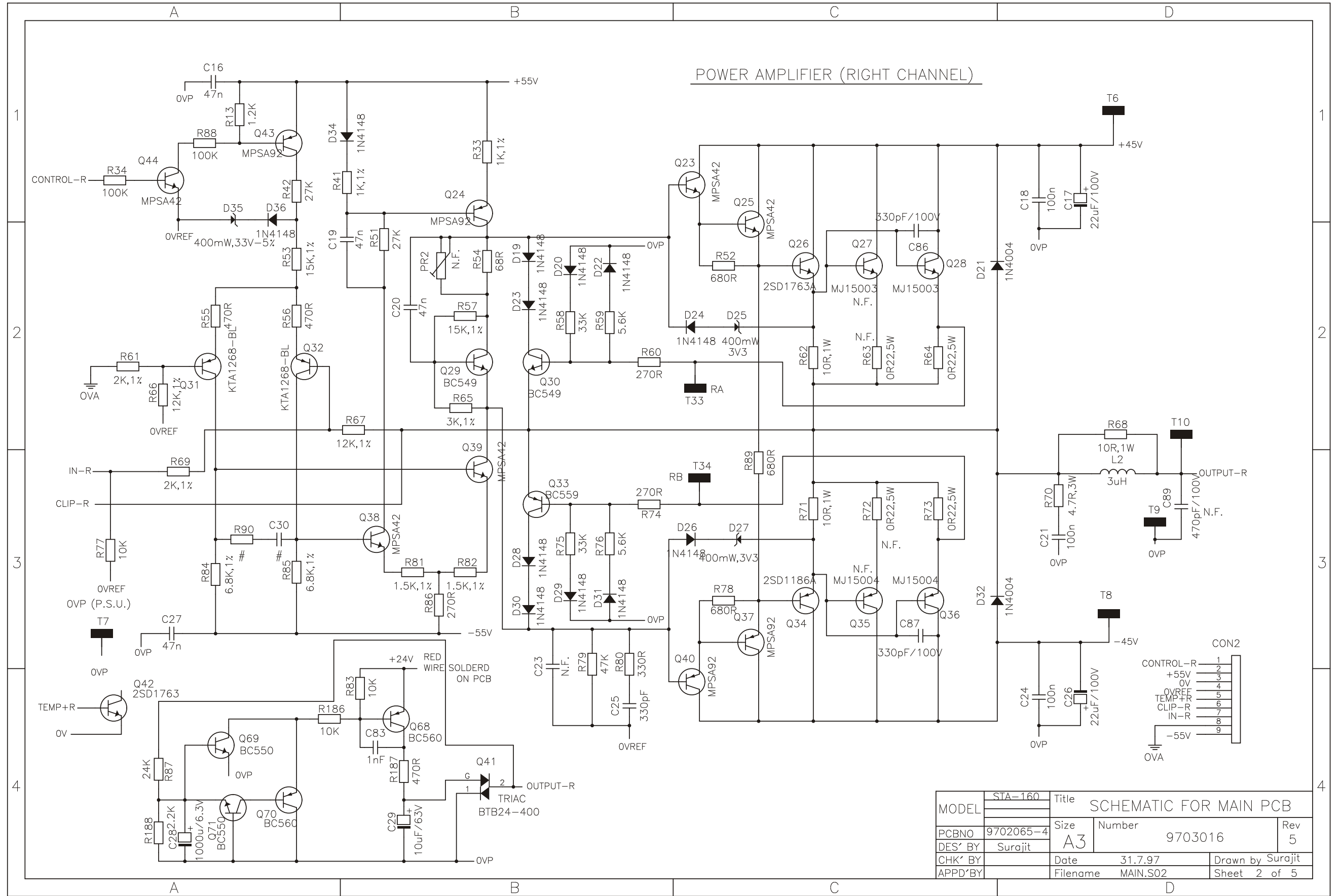
 25.1.2000 SW1 GND,FLOT CONNECTION CHANGED AS PER IMG. C12 & R11 DELETE.

REV	DATE	DESCRIPTION	SIGN	APP'D
MODEL	STA-160 Title SCHEMATIC FOR JACK PCB			
PCBNO	9803044-2	Size	Number	Rev
DES' BY		A3	9803065	1
CHK' BY		Date	29.1.99	Drawn by Surajit
APPD'BY		Filename	INP.S01	Sheet 1 of 1



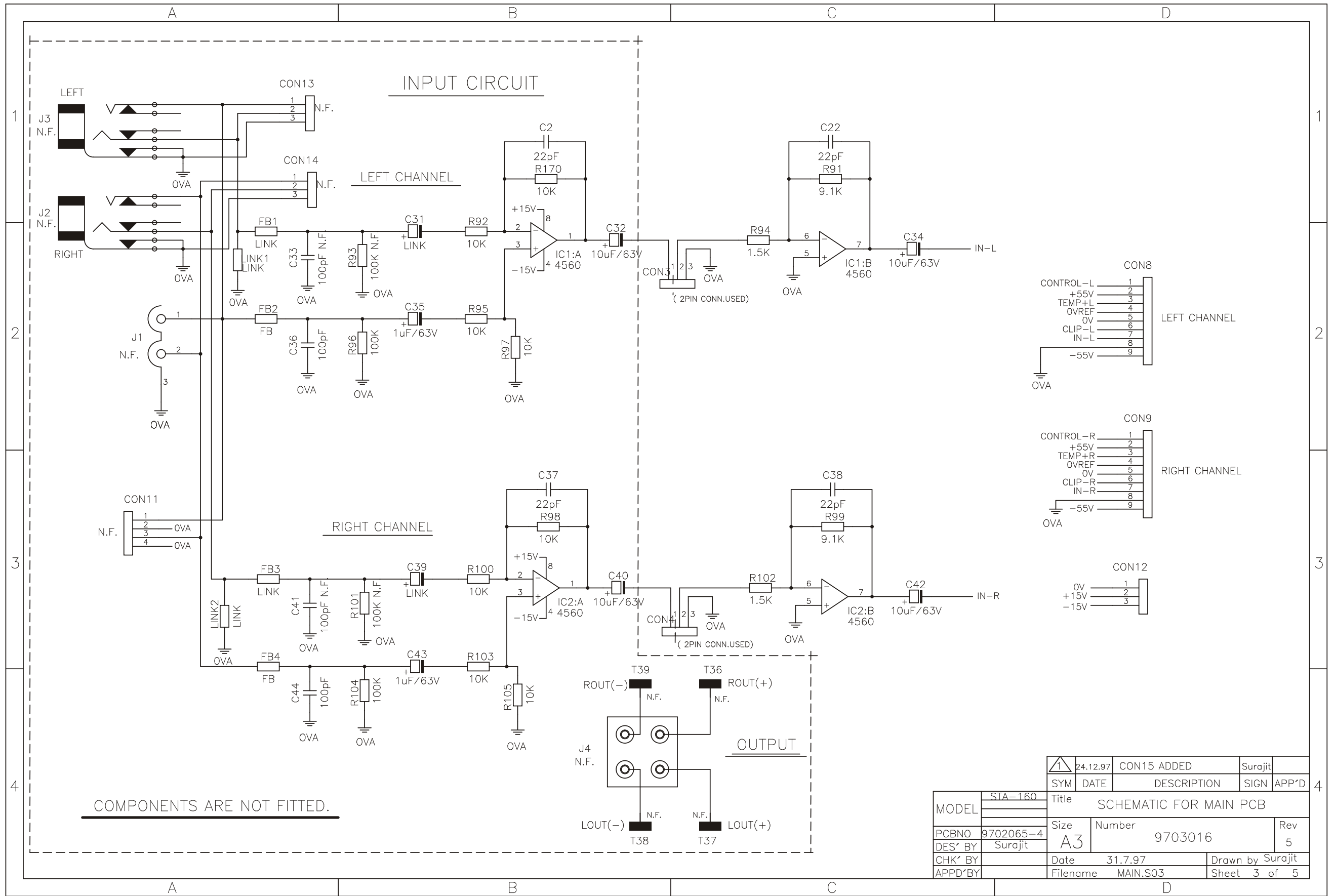
MODEL	STA-160	Title	SCHEMATIC FOR MAIN PCB	
PCBNO	9702065-4	Size	A3	Number
DES' BY	Surajit	Date	31.7.97	Rev
CHK' BY		Filename	MAIN.S01	5
APPD' BY		Drawn by	Surajit	Sheet
			1 of 5	

SYM	24.12.97	CON15 ADDED	Surajit
DATE		DESCRIPTION	SIGN
			APP'D



POWER AMPLIFIER (RIGHT CHANNEL)

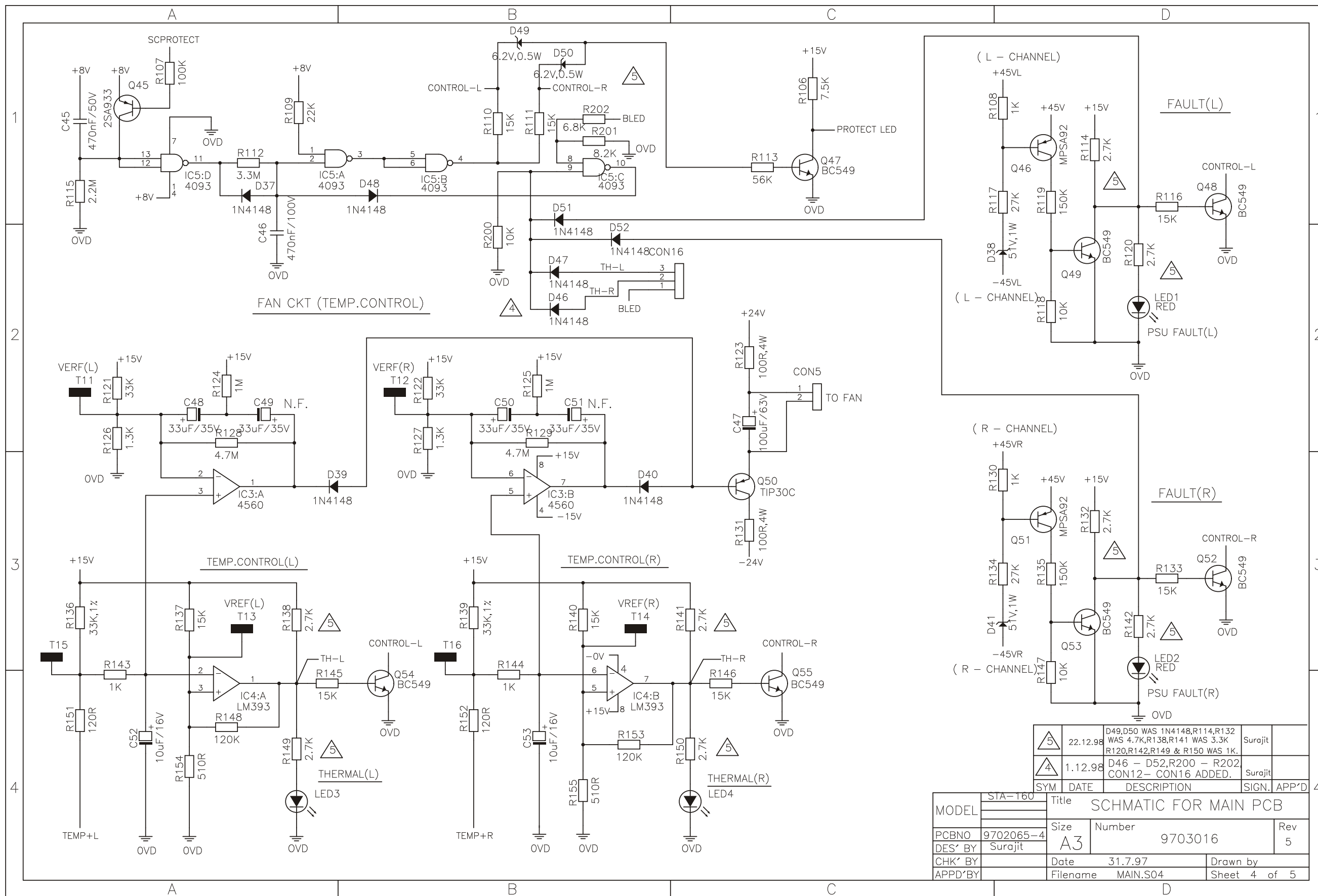
MODEL	STA-160	Title	SCHEMATIC FOR MAIN PCB	
PCBNO	9702065-4	Size	A3	Number 9703016
DES' BY	Surajit	Date	31.7.97	Rev 5
CHK' BY		Filename	MAIN.S02	Drawn by Surajit
APPD' BY				Sheet 2 of 5



COMPONENTS ARE NOT FITTED.

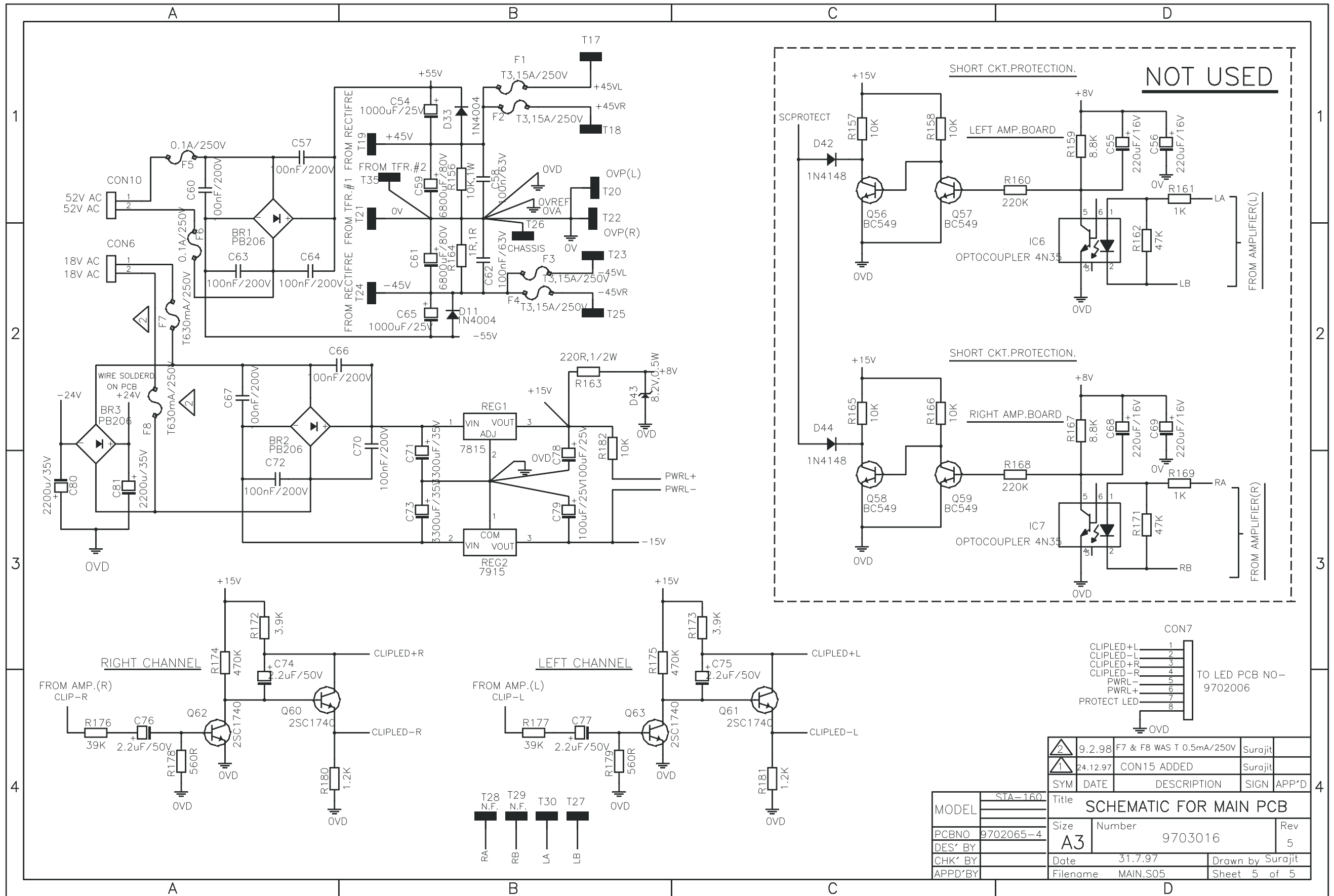
MODEL	STA-160	Title	SCHEMATIC FOR MAIN PCB		
PCBNO	9702065-4	Size	Number	9703016	Rev
DES' BY	Surajit	A3			5
CHK' BY		Date	31.7.97	Drawn by	Surajit
APPD'BY		Filename	MAIN.S03	Sheet	3 of 5

1	24.12.97	CON15 ADDED	Surajit	
SYM	DATE	DESCRIPTION	SIGN	APP'D

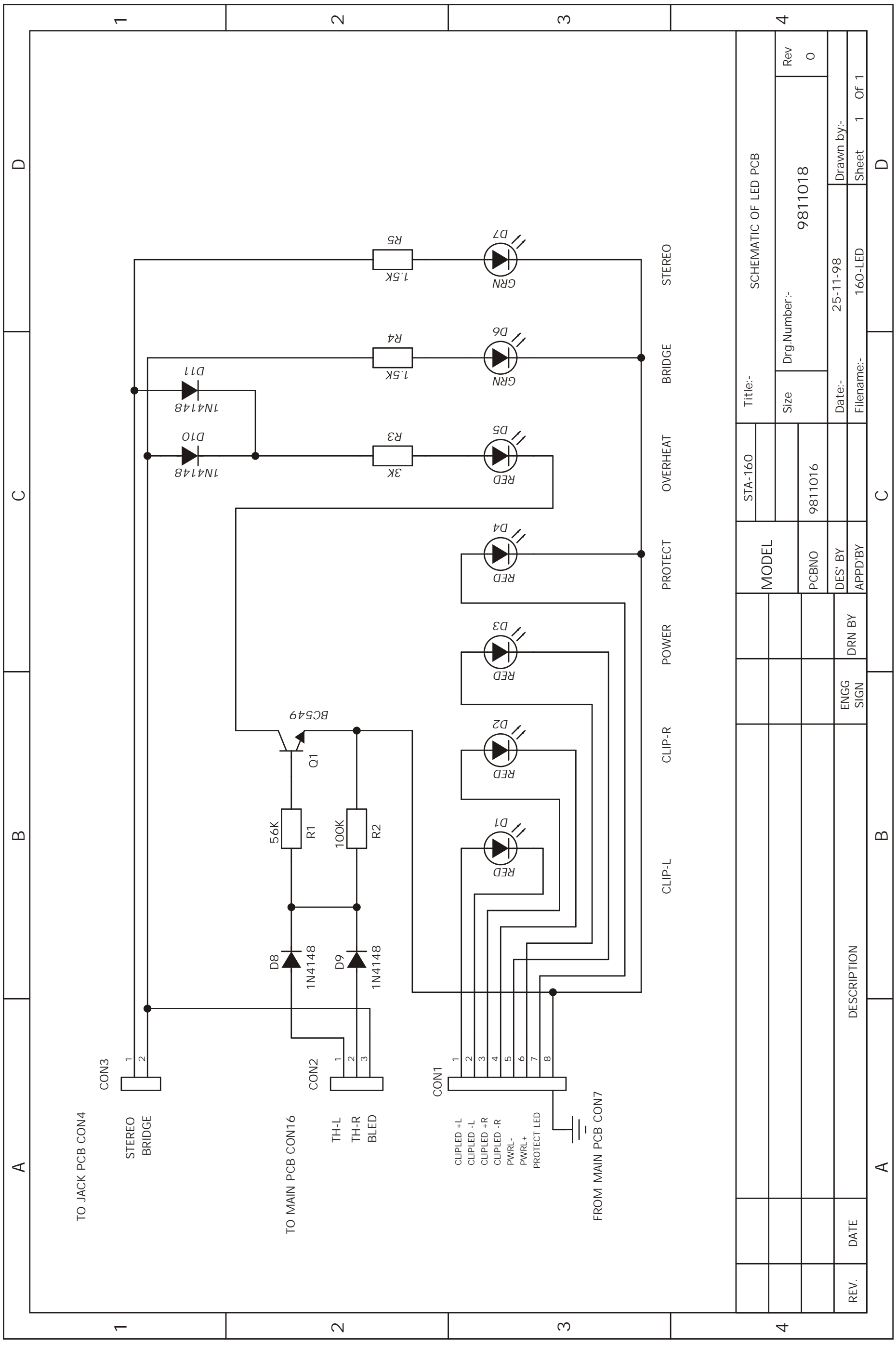


5	22.12.98	D49,D50 WAS 1N4148,R114,R132 WAS 4.7K,R138,R141 WAS 3.3K R120,R142,R149 & R150 WAS 1K.	Surajit
4	1.12.98	D46 - D52,R200 - R202 CON12- CON16 ADDED.	Surajit
SYM	DATE	DESCRIPTION	SIGN. APP'D

MODEL	STA-160	Title	SCHMATIC FOR MAIN PCB	
PCBNO	9702065-4	Size	Number	Rev
DES' BY	Surajit	A3	9703016	5
CHK' BY		Date	31.7.97	Drawn by
APPD'BY		Filename	MAIN.S04	Sheet 4 of 5



2	9.2.98	F7 & F8 WAS T 0.5mA/250V	Surajit	
1	24.12.97	CON15 ADDED	Surajit	
SYM	DATE	DESCRIPTION	SIGN	APP'D
SCHEMATIC FOR MAIN PCB				
MODEL	STA-160	Title		
PCBNO	9702065-4	Size	Number	Rev
DES' BY		A3	9703016	5
CHK' BY		Date	31.7.97	Drawn by Surajit
APPD' BY		Filename	MAIN.S05	Sheet 5 of 5



REV.	DATE	DESCRIPTION	ENGG SIGN	DRN BY	MODEL	STA-160	Title:-	SCHEMATIC OF LED PCB	
							Size	Drg.Number:-	Rev
								9811016	0
							Date:-	25-11-98	Drawn by:-
							Filename:-	160-LED	Sheet 1 Of 1

A B C D

1 2 3 4

TO JACK PCB CON4

CON3

1
2

STEREO
BRIDGE

TO MAIN PCB CON16

CON2

1
2
3

TH-L
TH-R
BLEED

CON1

1
2
3
4
5
6
7
8

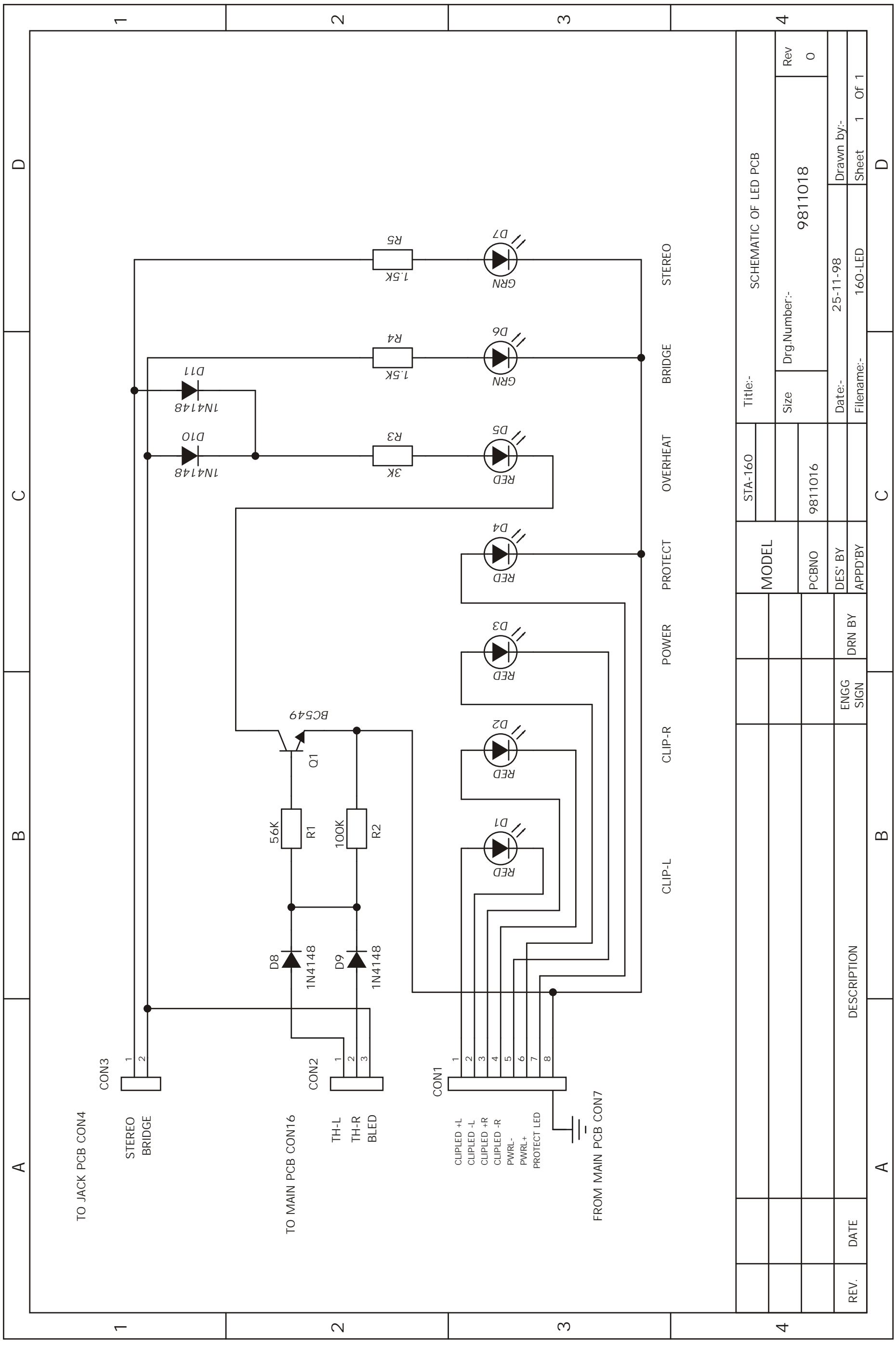
CLIPLED +L
CLIPLED -L
CLIPLED +R
CLIPLED -R
PWRL-
PWRL+
PROTECT LED

FROM MAIN PCB CON7

CLIP-L CLIP-R POWER PROTECT OVERHEAT BRIDGE STEREO

A B C D

1 2 3 4



REV.	DATE	DESCRIPTION	ENGG SIGN	DRN BY	MODEL	STA-160	Title:-	SCHEMATIC OF LED PCB	
							Size	Drg.Number:-	Rev
							9811016	9811018	0
							Date:-	25-11-98	Drawn by:-
							Filename:-	160-LED	Sheet 1 Of 1

A B C D

1 2 3 4

A B C D

1 2 3 4