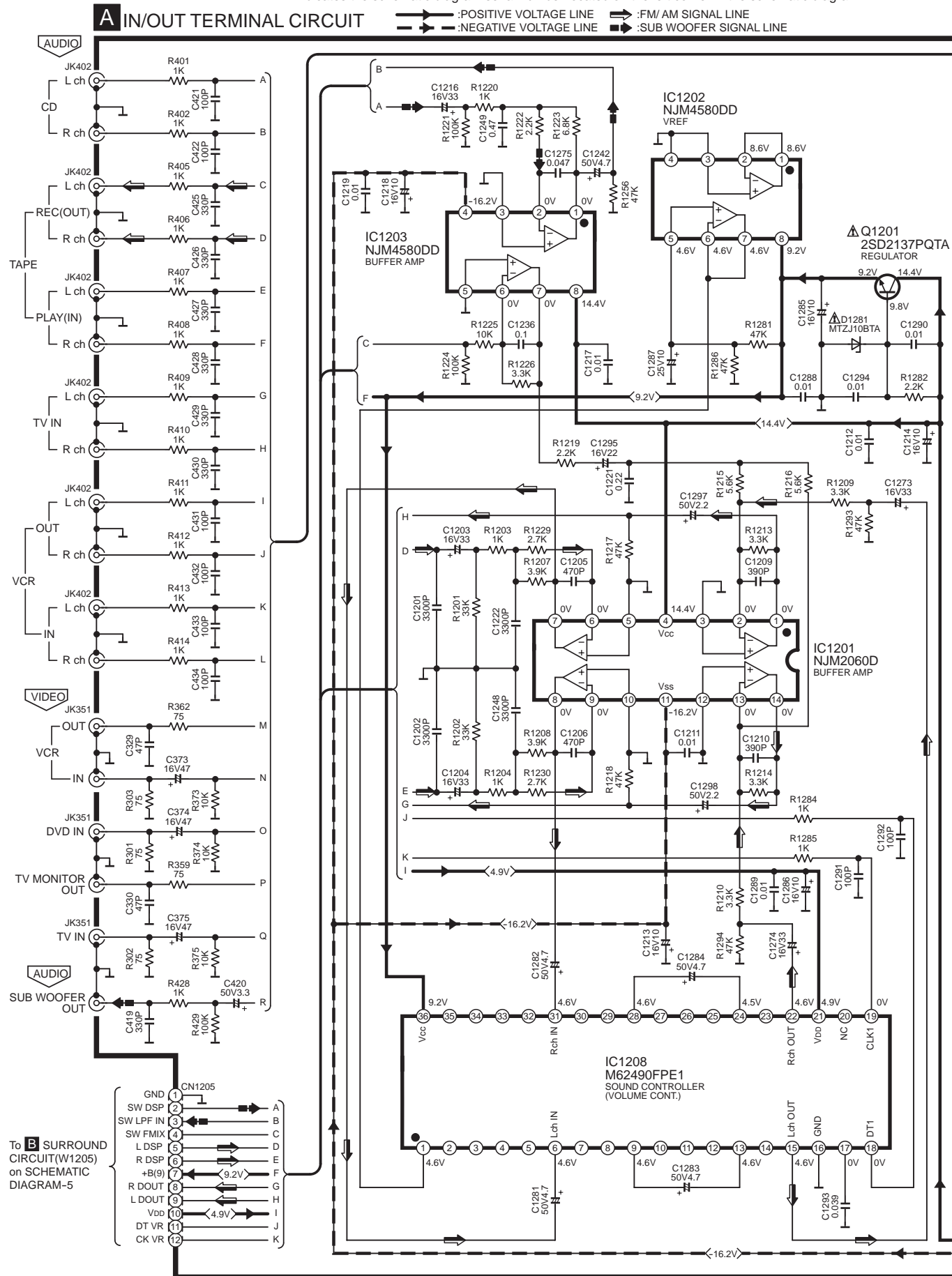


NOTE: The number which noted at the connectors on the schematic diagram as "SCHEMATIC DIAGRAM-1" or "SCHEMATIC DIAGRAM-2" indicates the schematic diagram serial number located on the left corner in the schematic diagram.

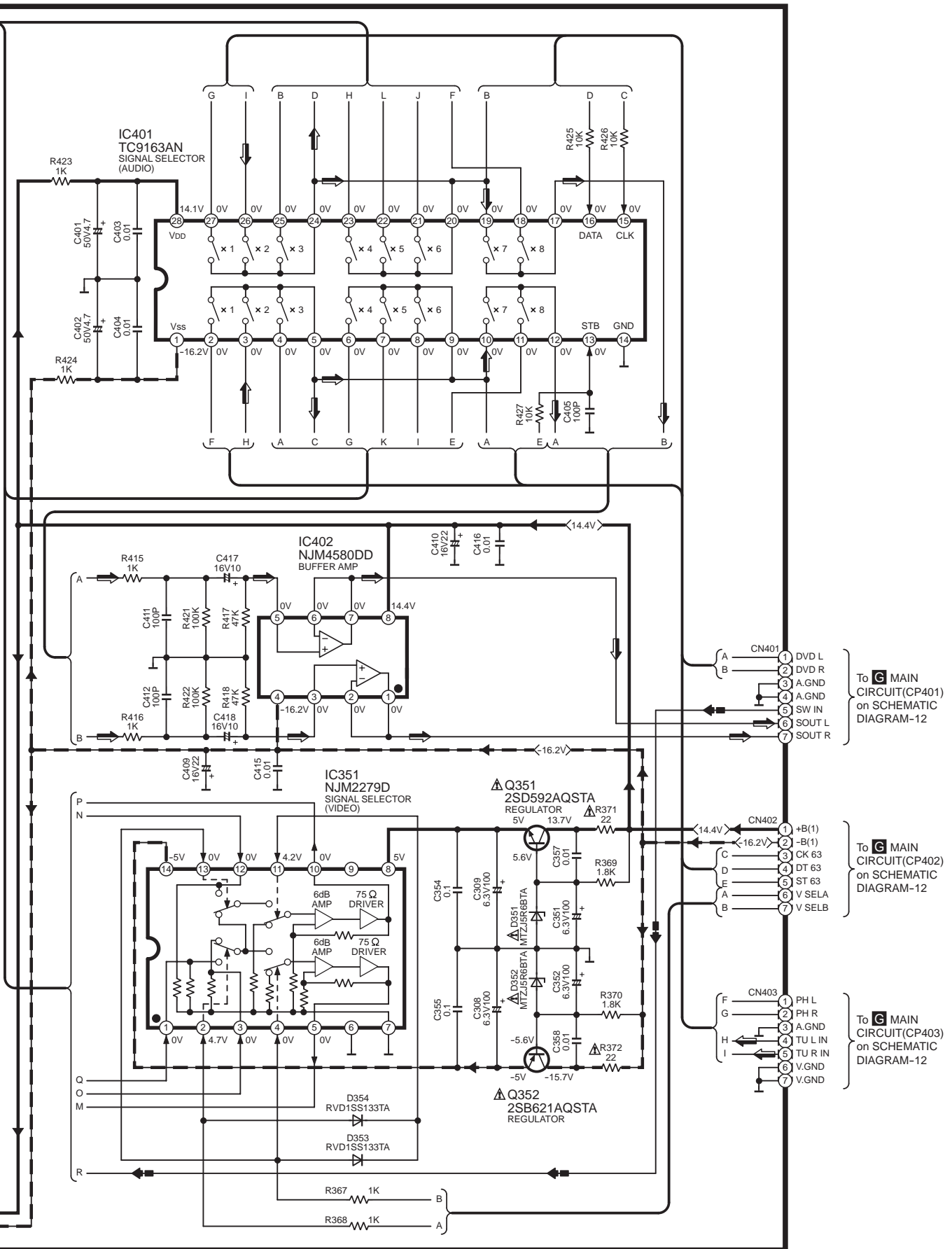
 : POSITIVE VOLTAGE LINE
 : FM/AM SIGNAL LINE
 : NEGATIVE VOLTAGE LINE
 : SUB WOOFER SIGNAL LINE



To **B** SURROUND CIRCUIT(W1205) on SCHEMATIC DIAGRAM-5

SCHEMATIC DIAGRAM-2

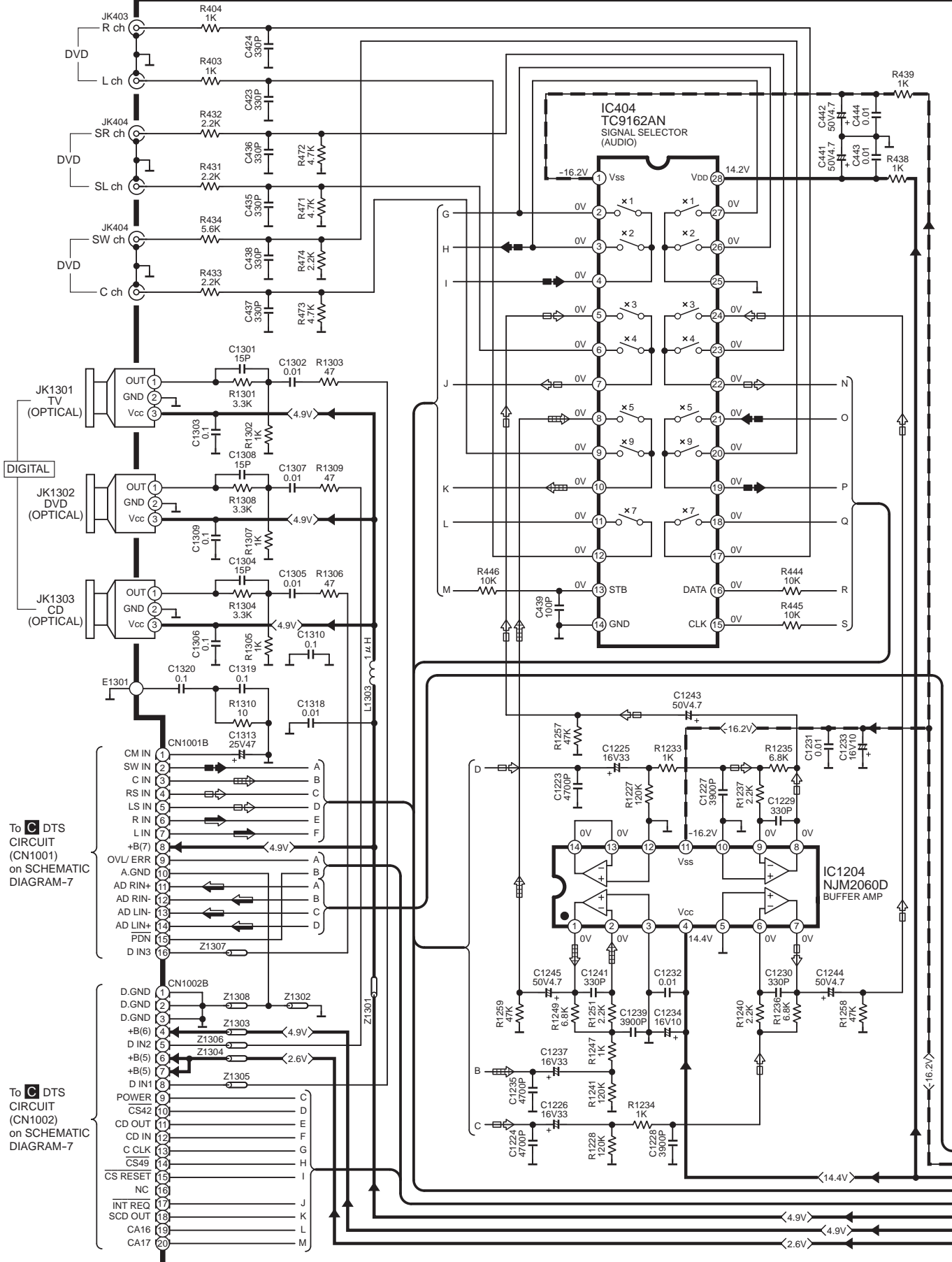
: POSITIVE VOLTAGE LINE
 : NEGATIVE VOLTAGE LINE
 : FM/AM SIGNAL LINE
 : SUB WOOFER SIGNAL LINE



SCHEMATIC DIAGRAM-3

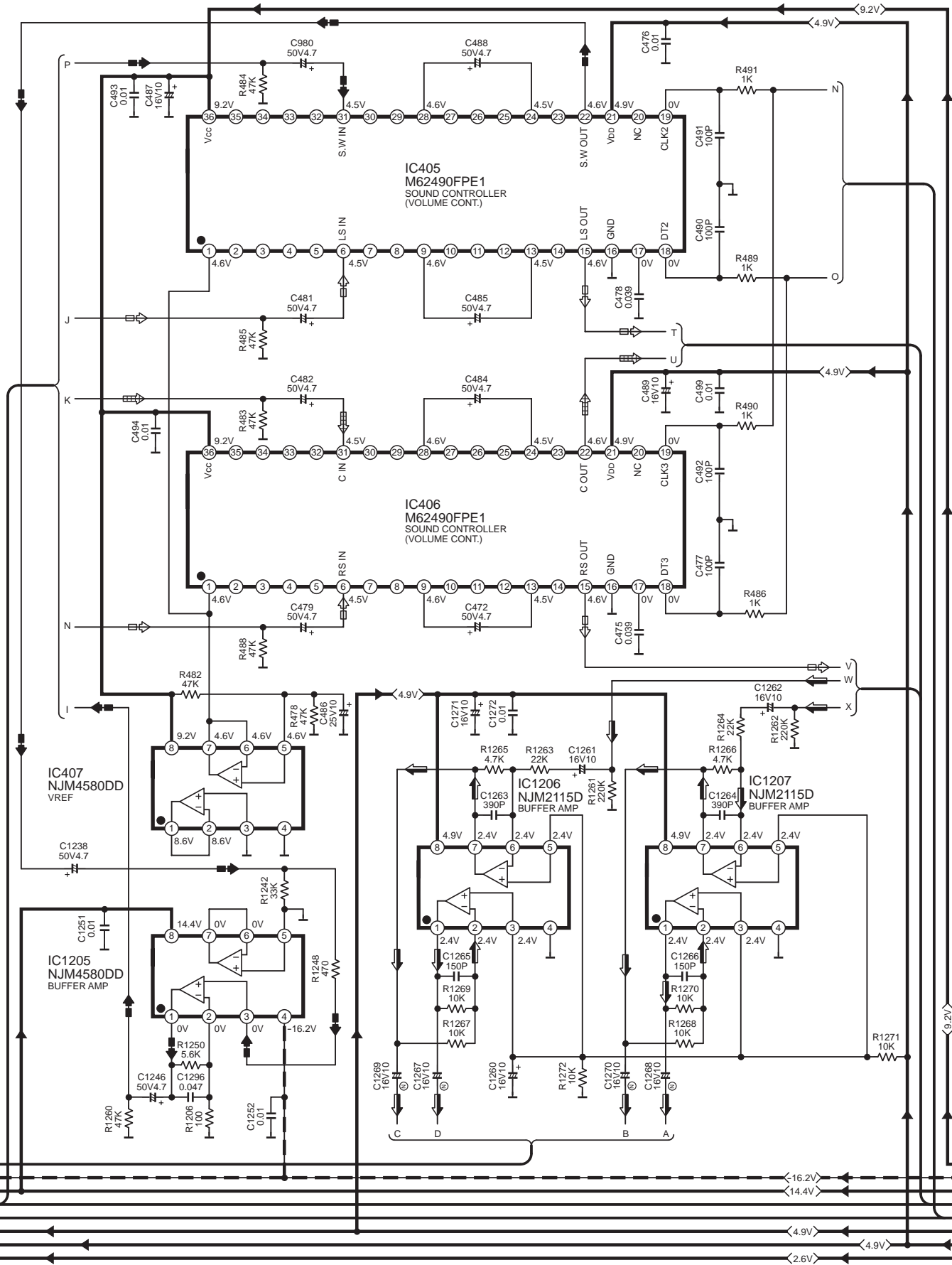
B SURROUND CIRCUIT

→ : POSITIVE VOLTAGE LINE
 → : FM/AM SIGNAL LINE
 □▷ : SURROUND SP SIGNAL LINE
- - - : NEGATIVE VOLTAGE LINE
 □▷ : CENTER SP SIGNAL LINE
 ■▷ : SUB WOOFER SIGNAL LINE



SCHEMATIC DIAGRAM-4

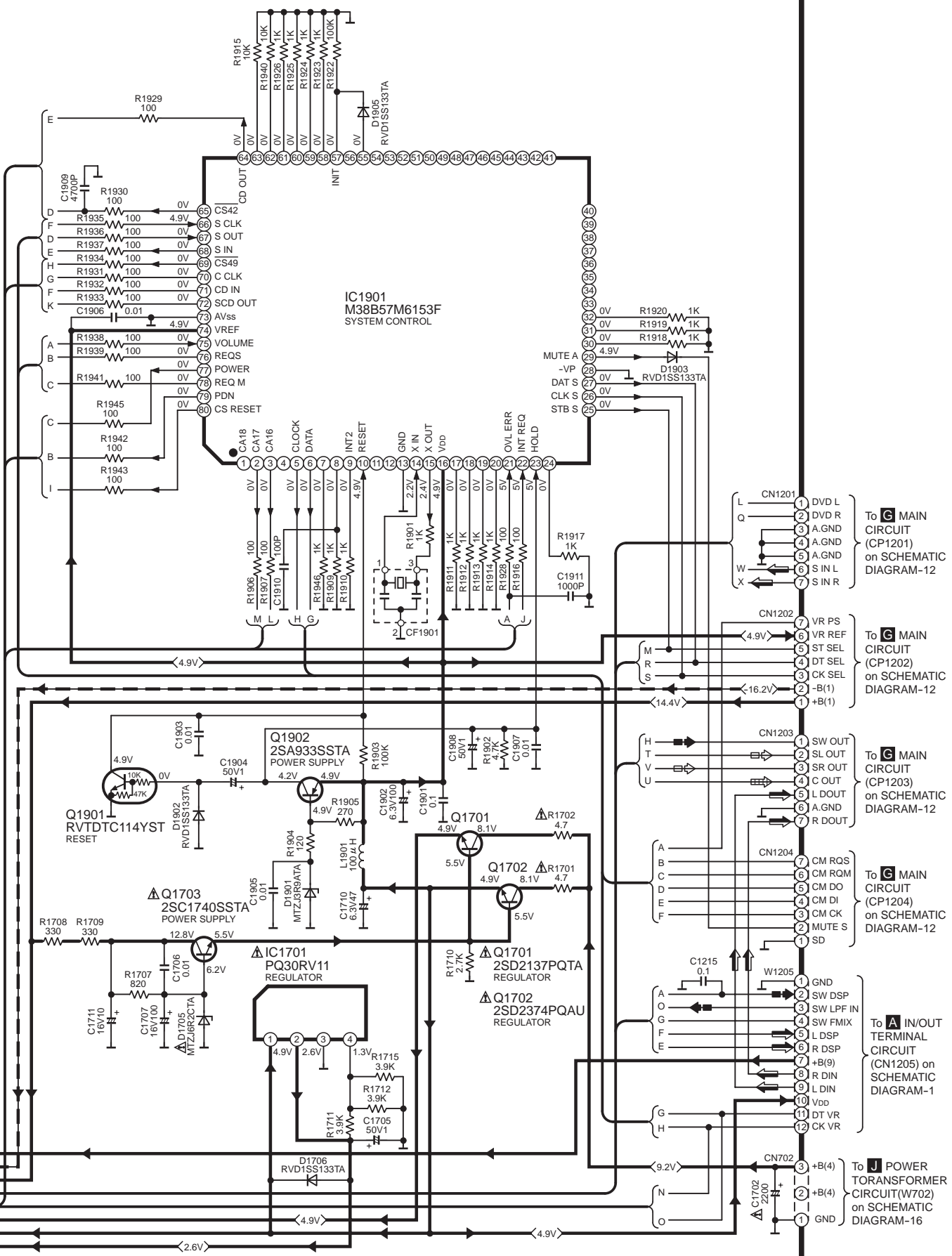
- ➔ : POSITIVE VOLTAGE LINE
- ➔ : FM/AM SIGNAL LINE
- ◻ : SURROUND SP SIGNAL LINE
- ➔ : NEGATIVE VOLTAGE LINE
- ◻ : CENTER SP SIGNAL LINE
- ➔ : SUB WOOFER SIGNAL LINE



SCHEMATIC DIAGRAM-5

B SURROUND CIRCUIT

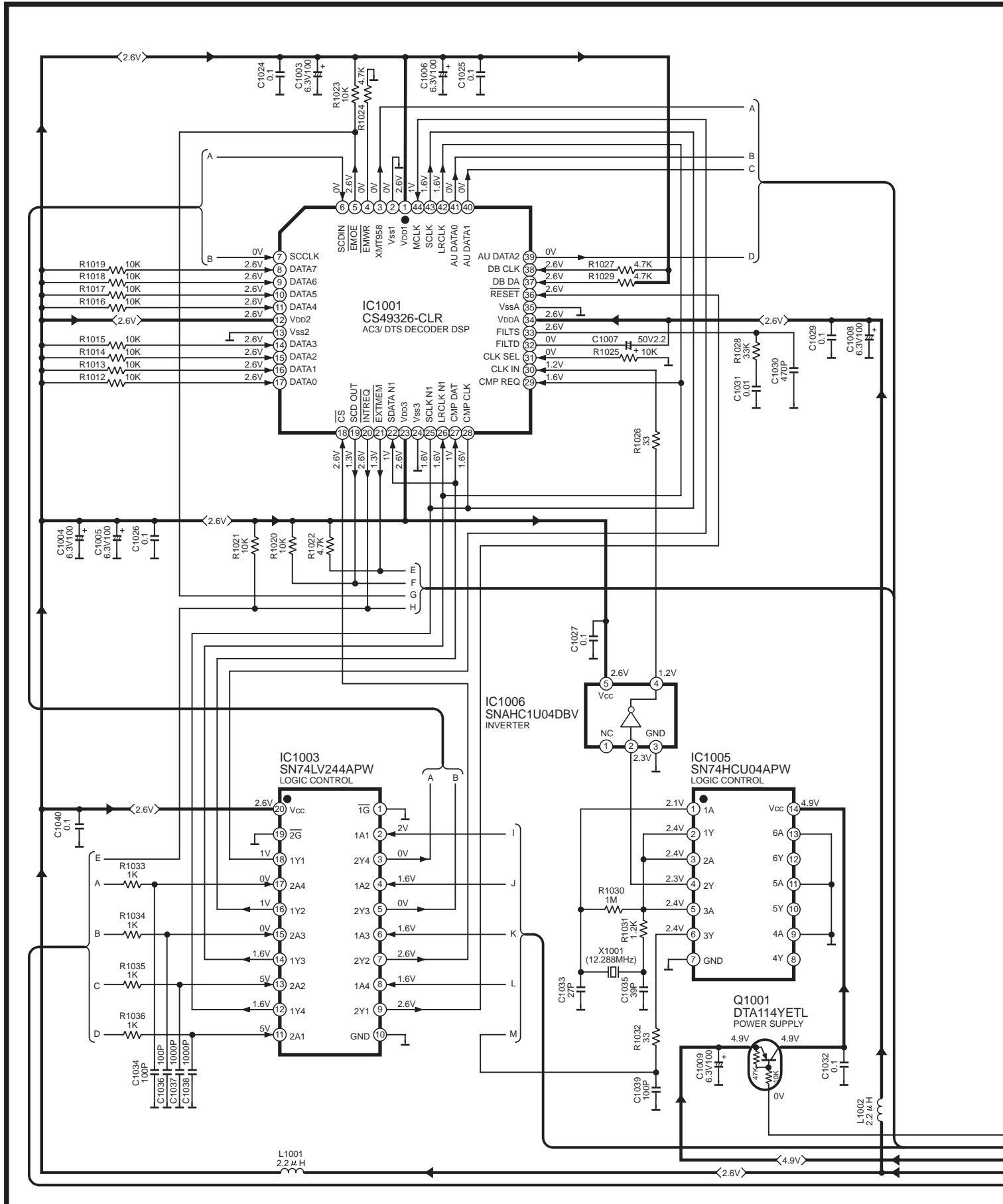
: POSITIVE VOLTAGE LINE : FM/AM SIGNAL LINE : SURROUND SP SIGNAL LINE
 : NEGATIVE VOLTAGE LINE : CENTER SP SIGNAL LINE : SUB WOOFER SIGNAL LINE



SCHEMATIC DIAGRAM-6

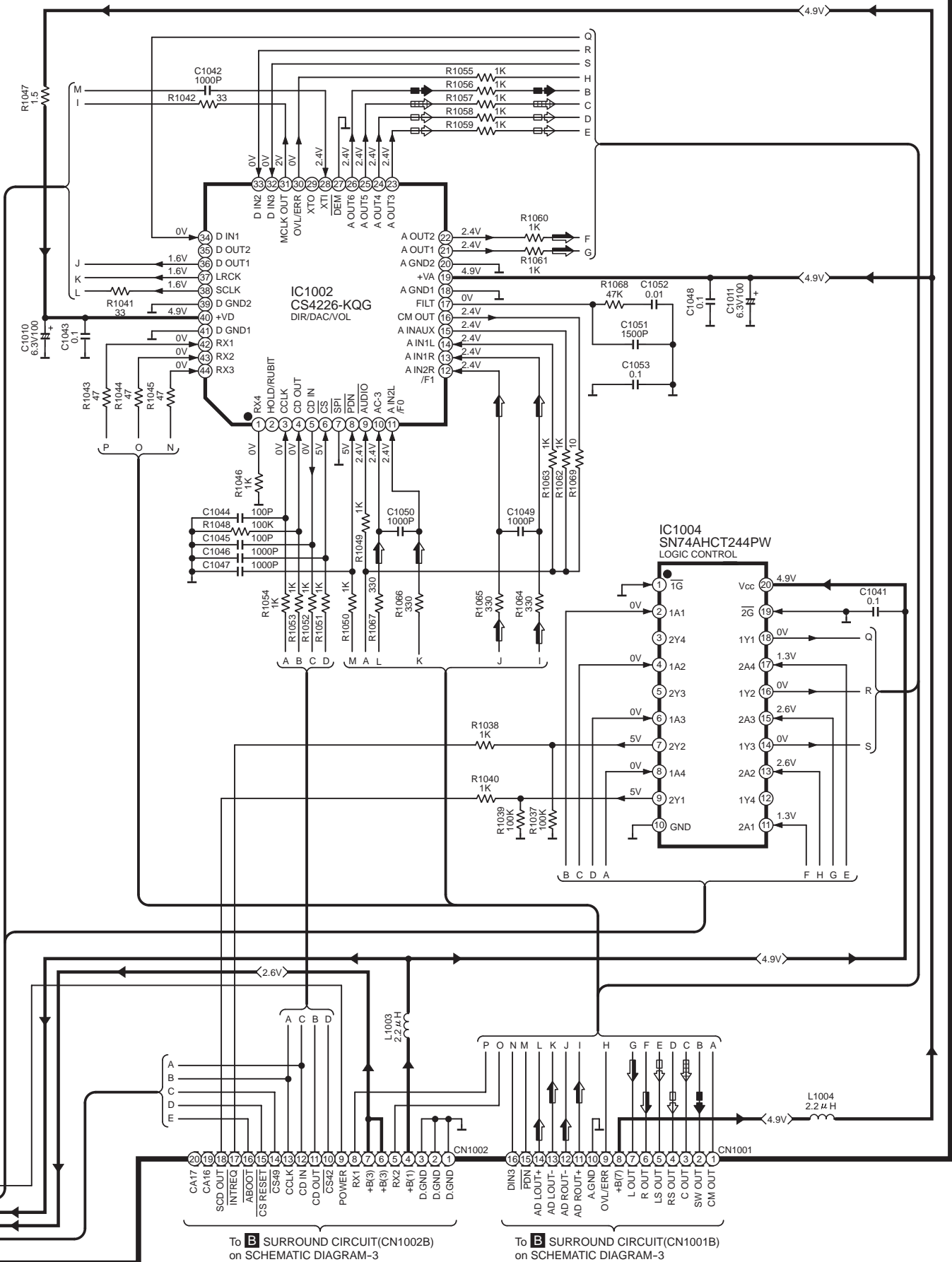
C DTS CIRCUIT

→ : POSITIVE VOLTAGE LINE



SCHEMATIC DIAGRAM-7

- ➔ : POSITIVE VOLTAGE LINE
- ➡ : FM/AM SIGNAL LINE
- ◻ : SURROUND SP SIGNAL LINE
- ◻ : CENTER SP SIGNAL LINE
- ➡ : SUB WOOFER SIGNAL LINE



To **B** SURROUND CIRCUIT(CN1002B) on SCHEMATIC DIAGRAM-3

To **B** SURROUND CIRCUIT(CN1001B) on SCHEMATIC DIAGRAM-3

SCHEMATIC DIAGRAM-8

D FL CIRCUIT

→ : POSITIVE VOLTAGE LINE - - - - - : NEGATIVE VOLTAGE LINE ⇨ : FM/AM SIGNAL LINE

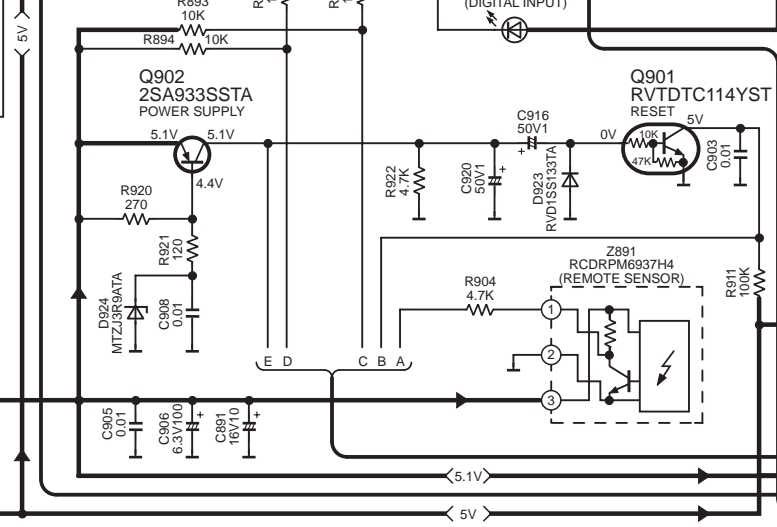
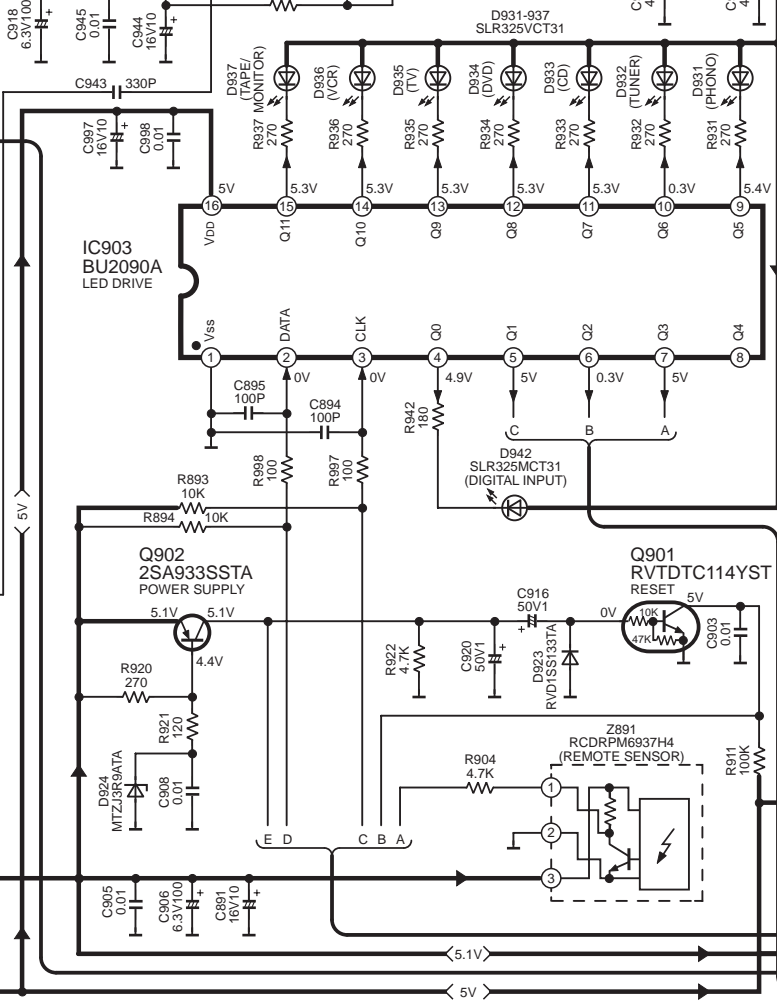
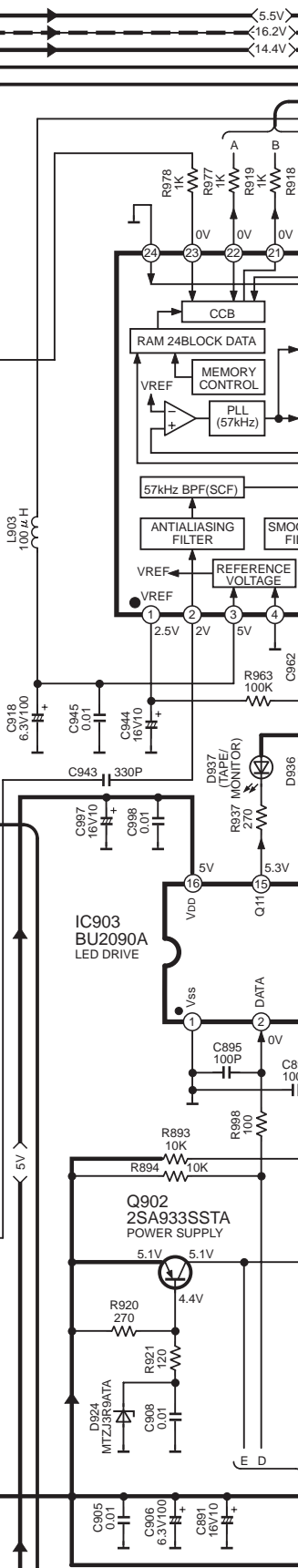
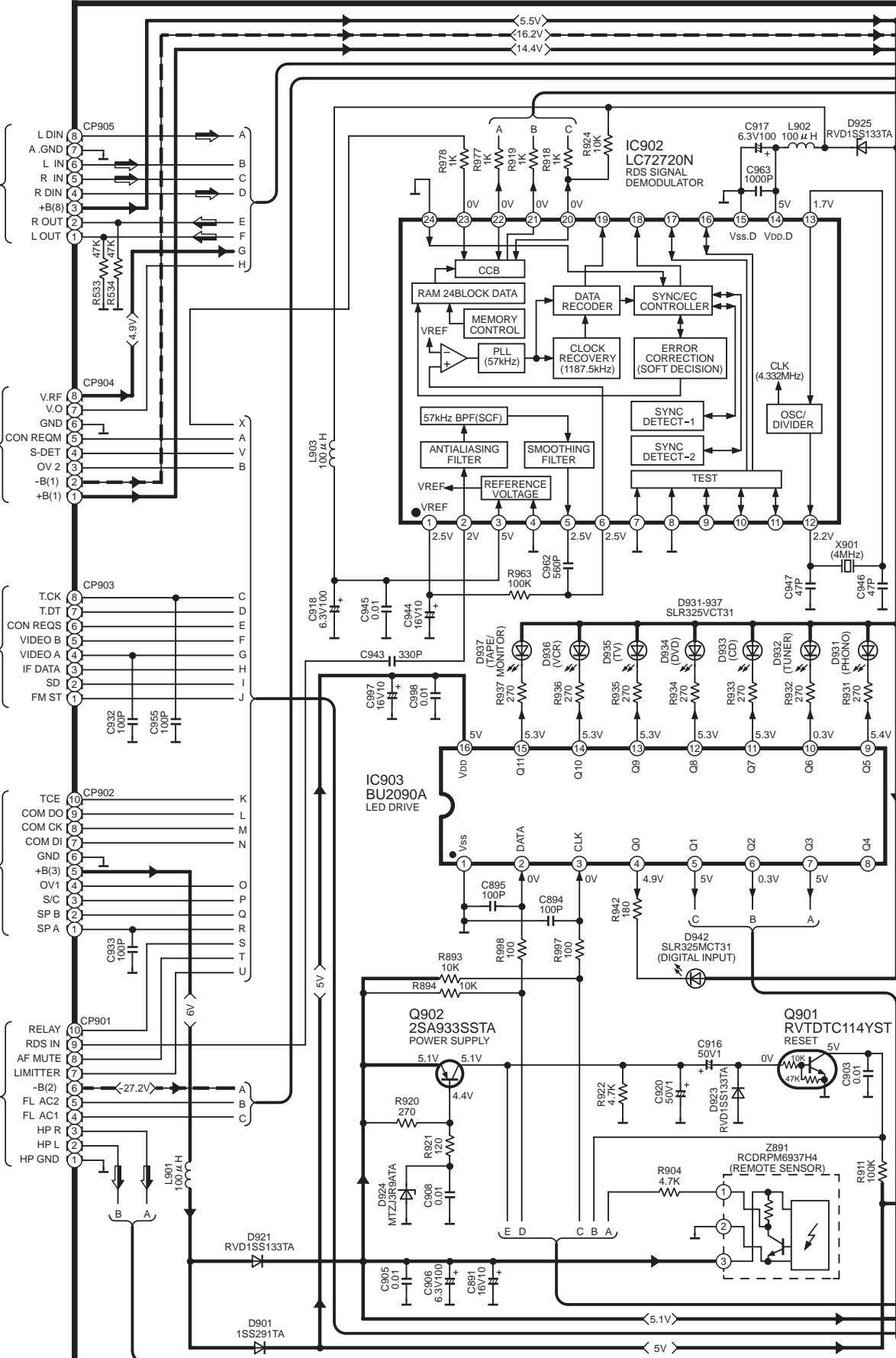
To **C** MAIN CIRCUIT (CN905) on SCHEMATIC DIAGRAM-13

To **C** MAIN CIRCUIT (CN904) on SCHEMATIC DIAGRAM-13

To **C** MAIN CIRCUIT (CN903) on SCHEMATIC DIAGRAM-13

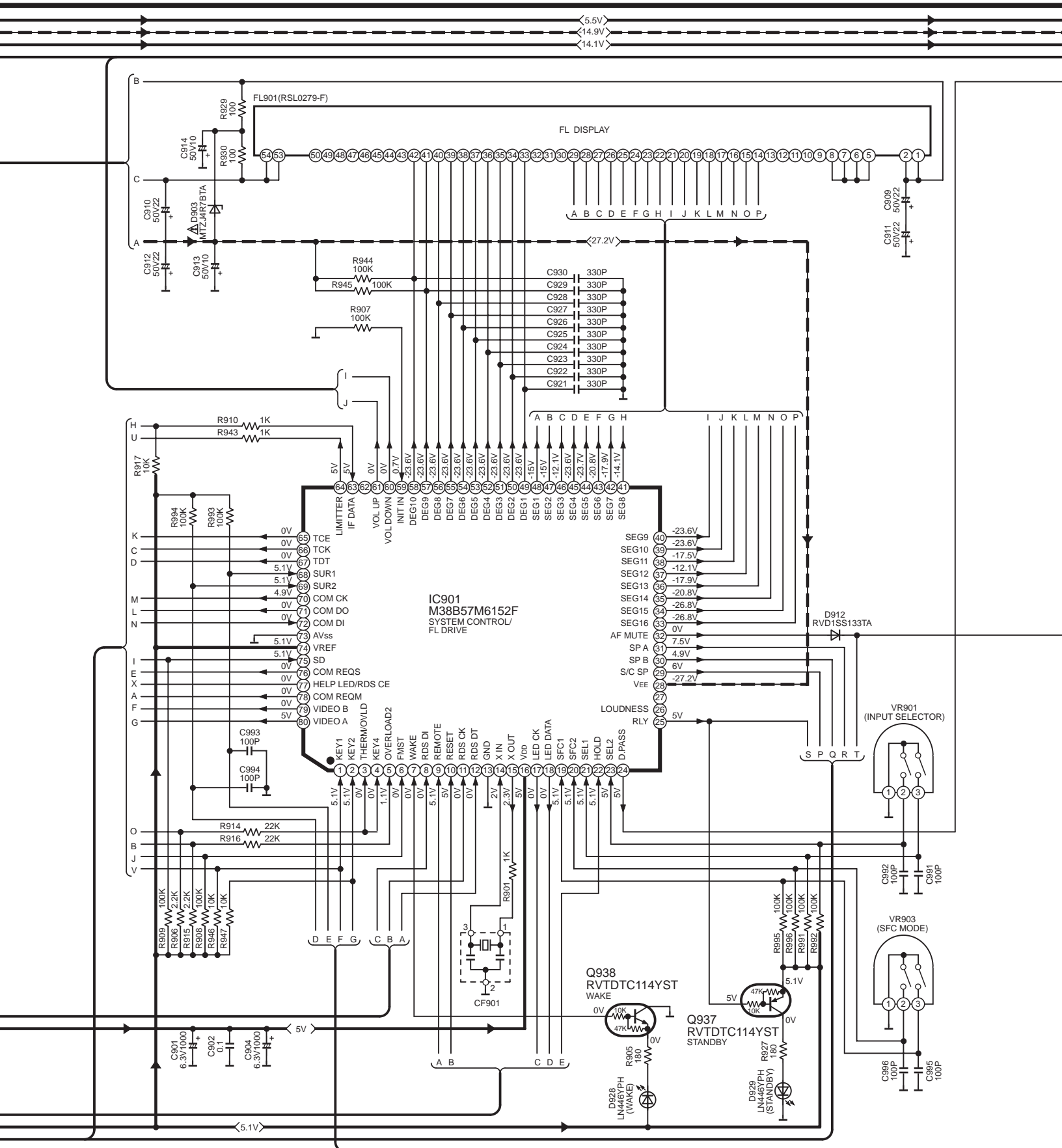
To **C** MAIN CIRCUIT (CN902) on SCHEMATIC DIAGRAM-13

To **C** MAIN CIRCUIT (CN901) on SCHEMATIC DIAGRAM-13



SCHEMATIC DIAGRAM-9

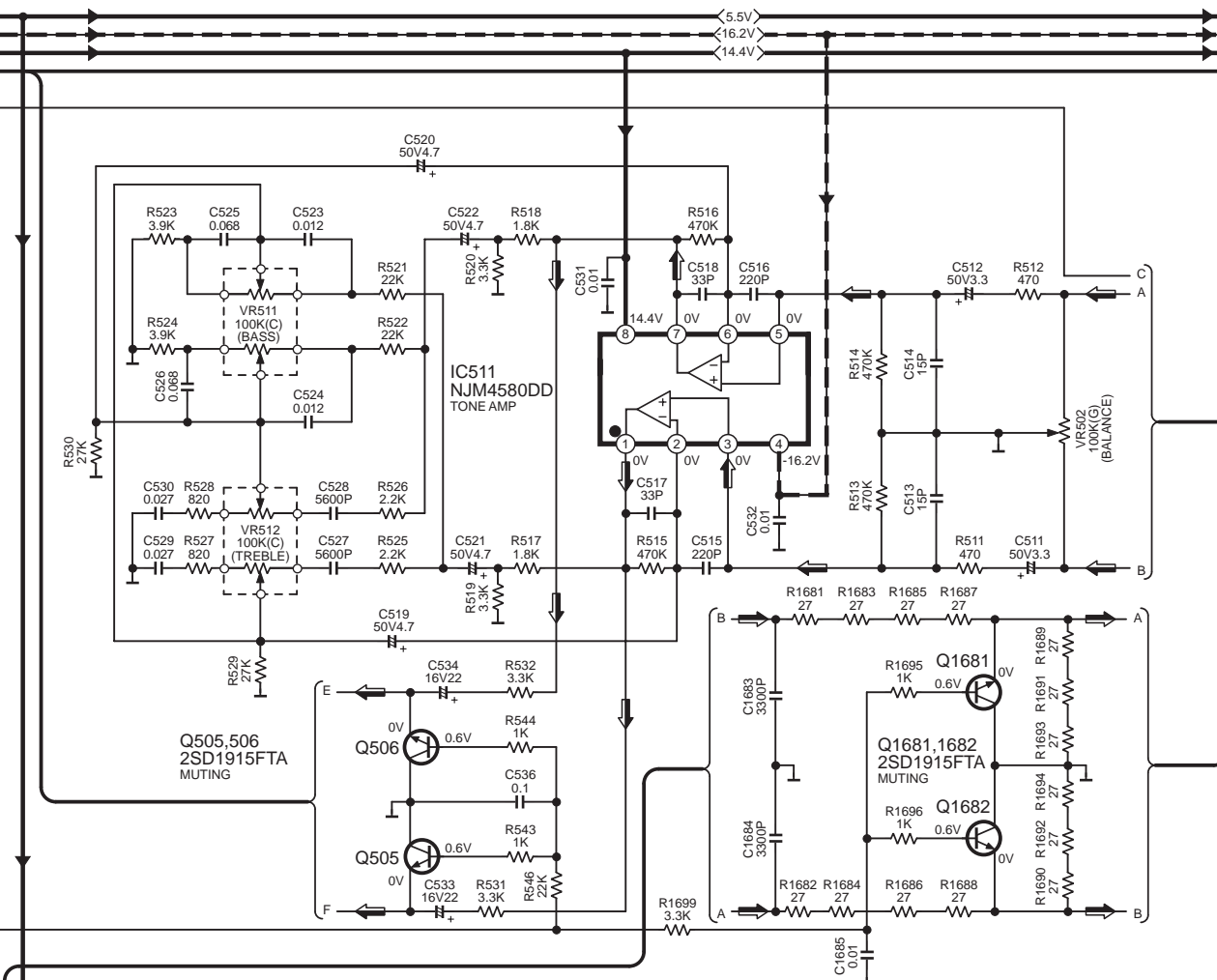
—▶—: POSITIVE VOLTAGE LINE - -▶- -: NEGATIVE VOLTAGE LINE



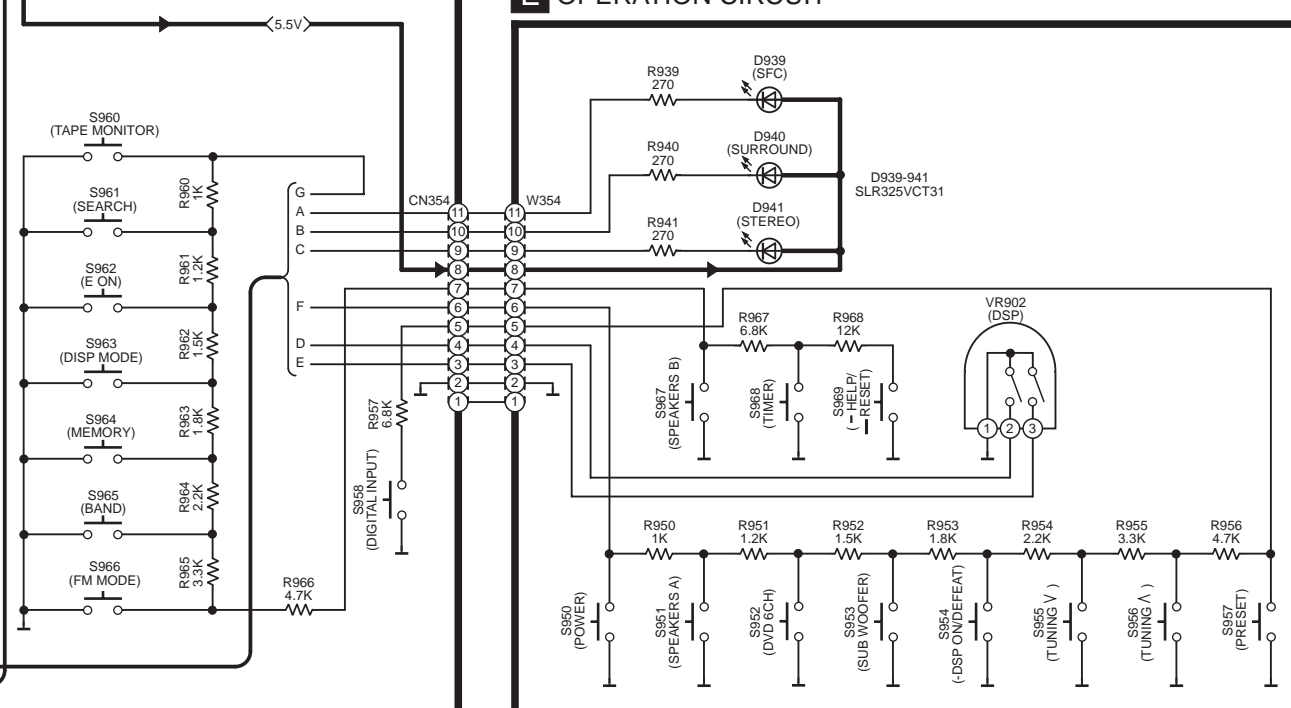
SCHEMATIC DIAGRAM-10

D FL CIRCUIT

→ : POSITIVE VOLTAGE LINE → - : NEGATIVE VOLTAGE LINE ⇨ : FM/AM SIGNAL LINE

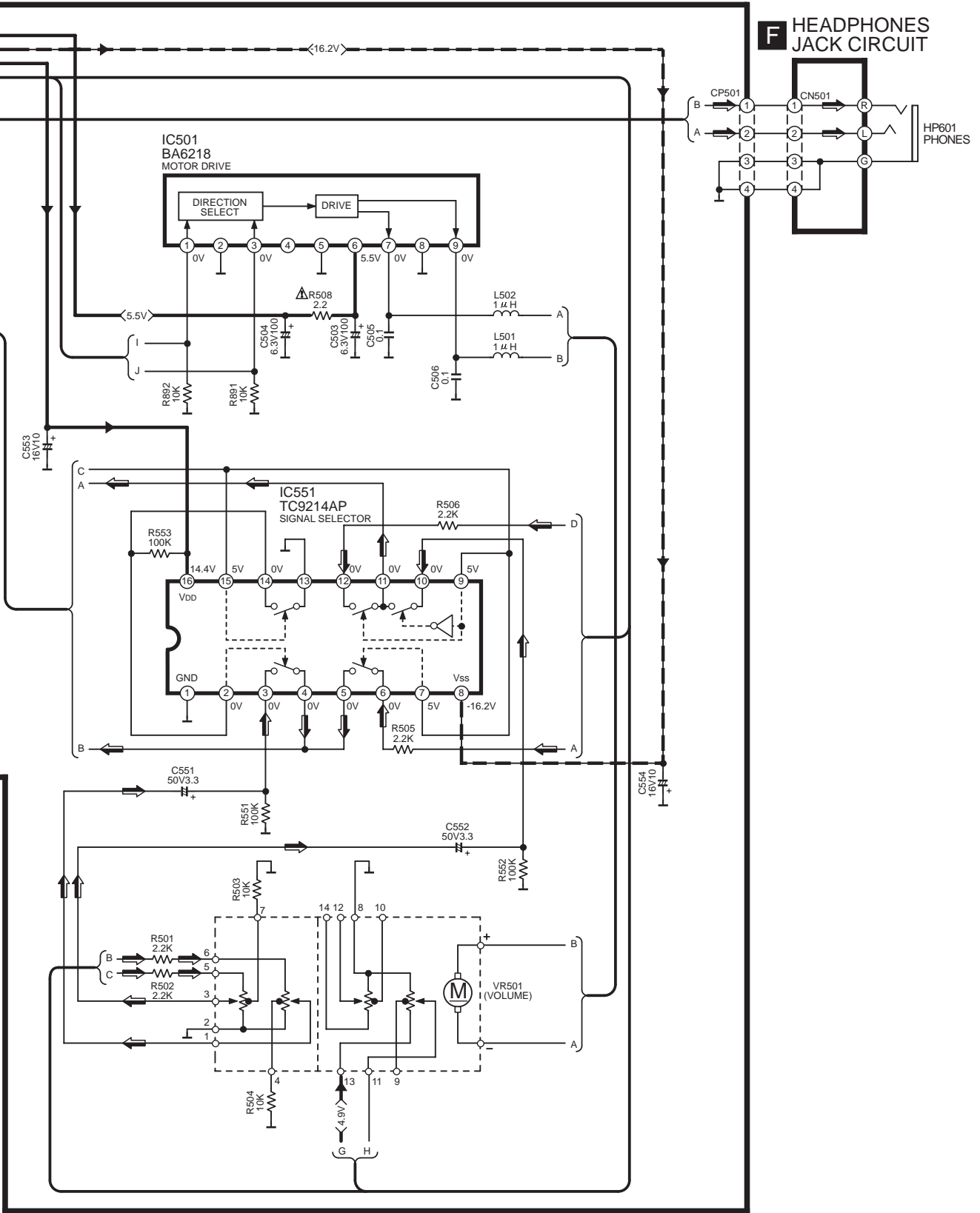


E OPERATION CIRCUIT



SCHEMATIC DIAGRAM-11

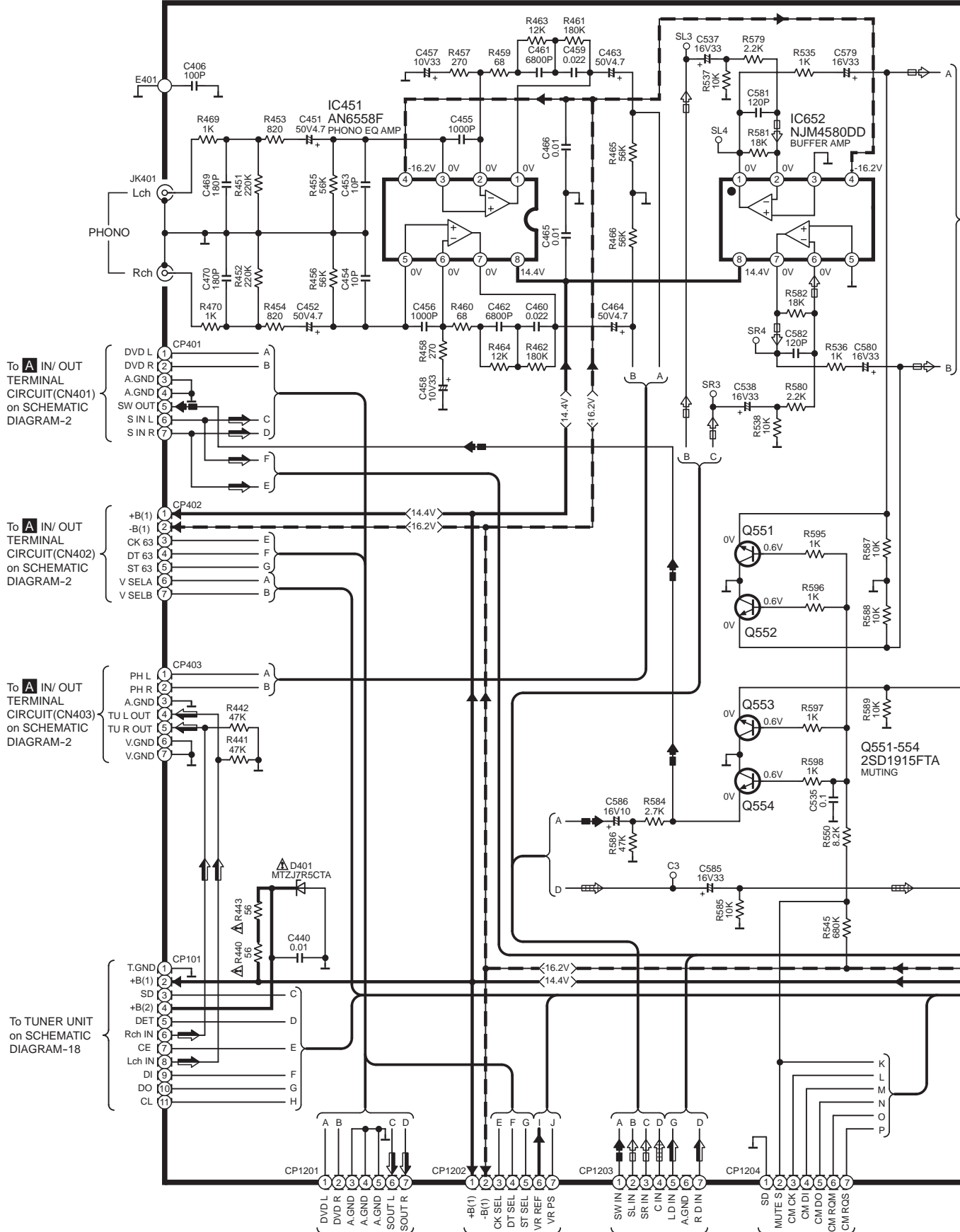
→: POSITIVE VOLTAGE LINE ←: NEGATIVE VOLTAGE LINE ⇨: FM/AM SIGNAL LINE



SCHEMATIC DIAGRAM-12

G MAIN CIRCUIT

→ : POSITIVE VOLTAGE LINE → : FM/AM SIGNAL LINE ↔ : SURROUND SP SIGNAL LINE
- - - : NEGATIVE VOLTAGE LINE ↔ : CENTER SP SIGNAL LINE ▶ : SUB WOOFER SIGNAL LINE



To **A** IN/ OUT
TERMINAL
CIRCUIT(CN401)
on SCHEMATIC
DIAGRAM-2

To **A** IN/ OUT
TERMINAL
CIRCUIT(CN402)
on SCHEMATIC
DIAGRAM-2

To **A** IN/ OUT
TERMINAL
CIRCUIT(CN403)
on SCHEMATIC
DIAGRAM-2

To TUNER UNIT
on SCHEMATIC
DIAGRAM-18

To **B** SURROUND
CIRCUIT(CN1201)
on SCHEMATIC
DIAGRAM-5

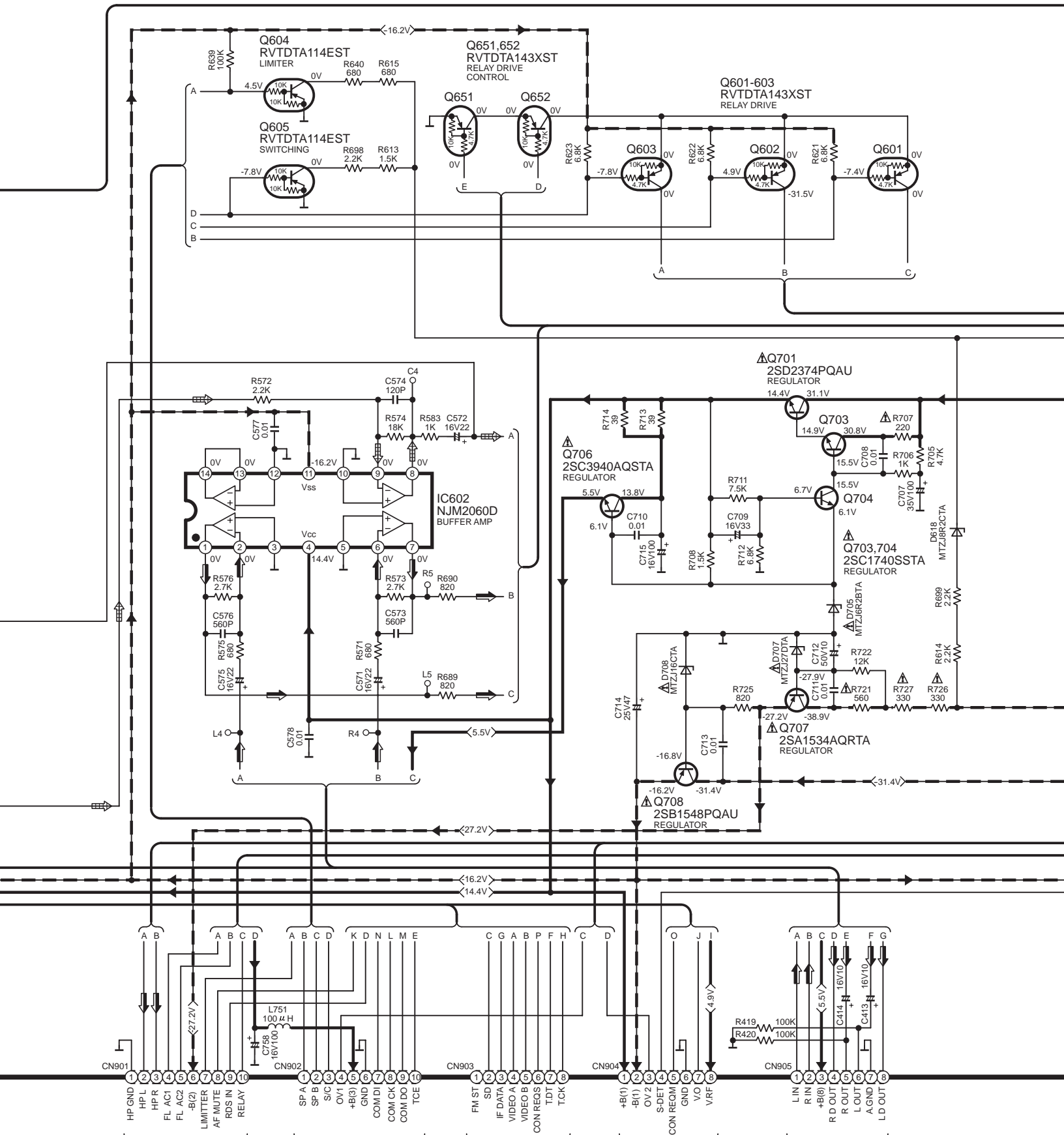
To **B** SURROUND
CIRCUIT(CN1202)
on SCHEMATIC
DIAGRAM-5

To **B** SURROUND
CIRCUIT(CN1203)
on SCHEMATIC
DIAGRAM-5

To **B** SURROUND
CIRCUIT(CN1204)
on SCHEMATIC
DIAGRAM-5

SCHEMATIC DIAGRAM-13

: POSITIVE VOLTAGE LINE : FM/AM SIGNAL LINE
 : NEGATIVE VOLTAGE LINE : CENTER SP SIGNAL LINE



To **D** FL CIRCUIT (CP901) on SCHEMATIC DIAGRAM-8

To **D** FL CIRCUIT (CP902) on SCHEMATIC DIAGRAM-8

To **D** FL CIRCUIT (CP903) on SCHEMATIC DIAGRAM-8

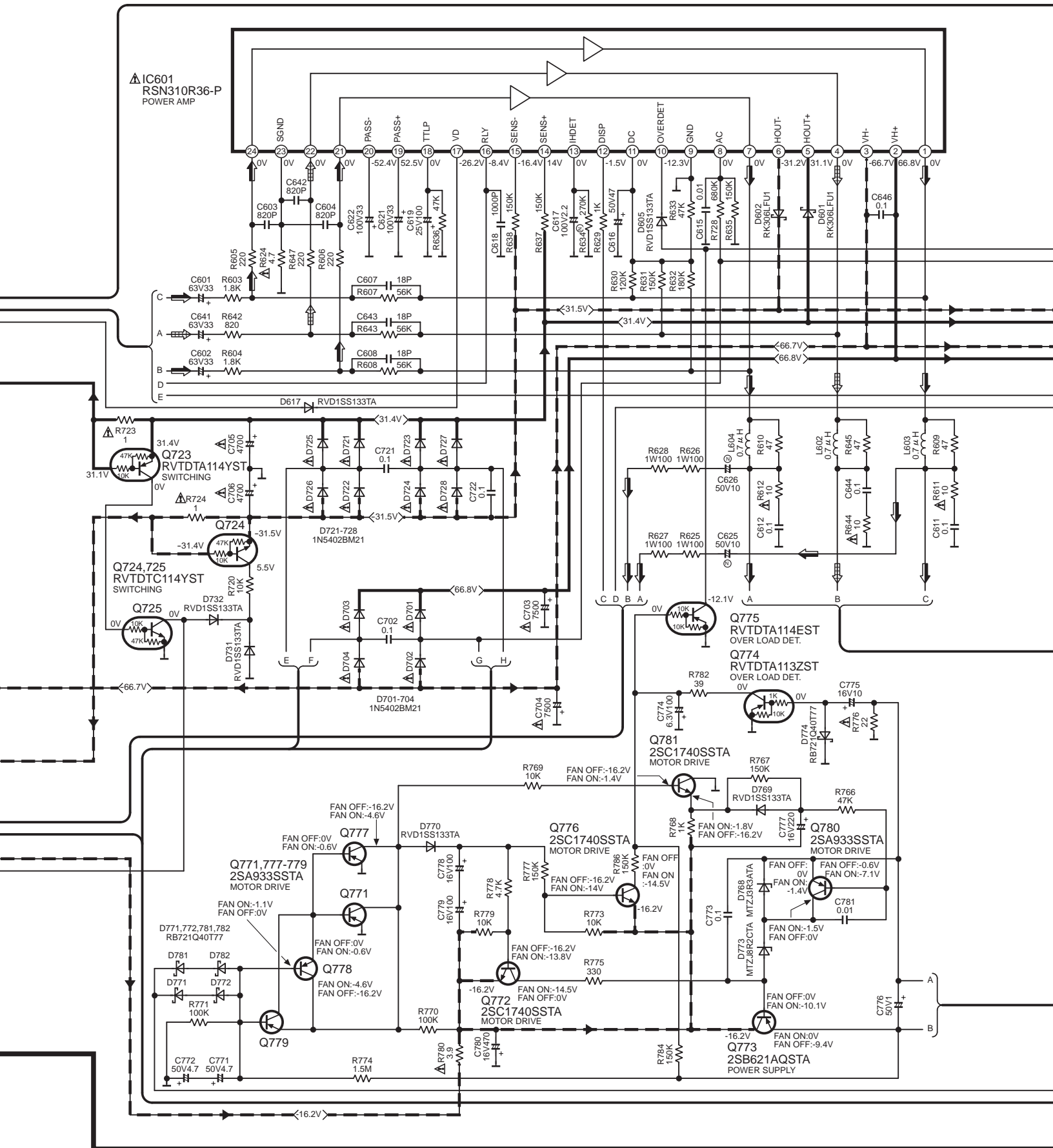
To **D** FL CIRCUIT (CP904) on SCHEMATIC DIAGRAM-8

To **D** FL CIRCUIT (CP905) on SCHEMATIC DIAGRAM-8

SCHEMATIC DIAGRAM-14

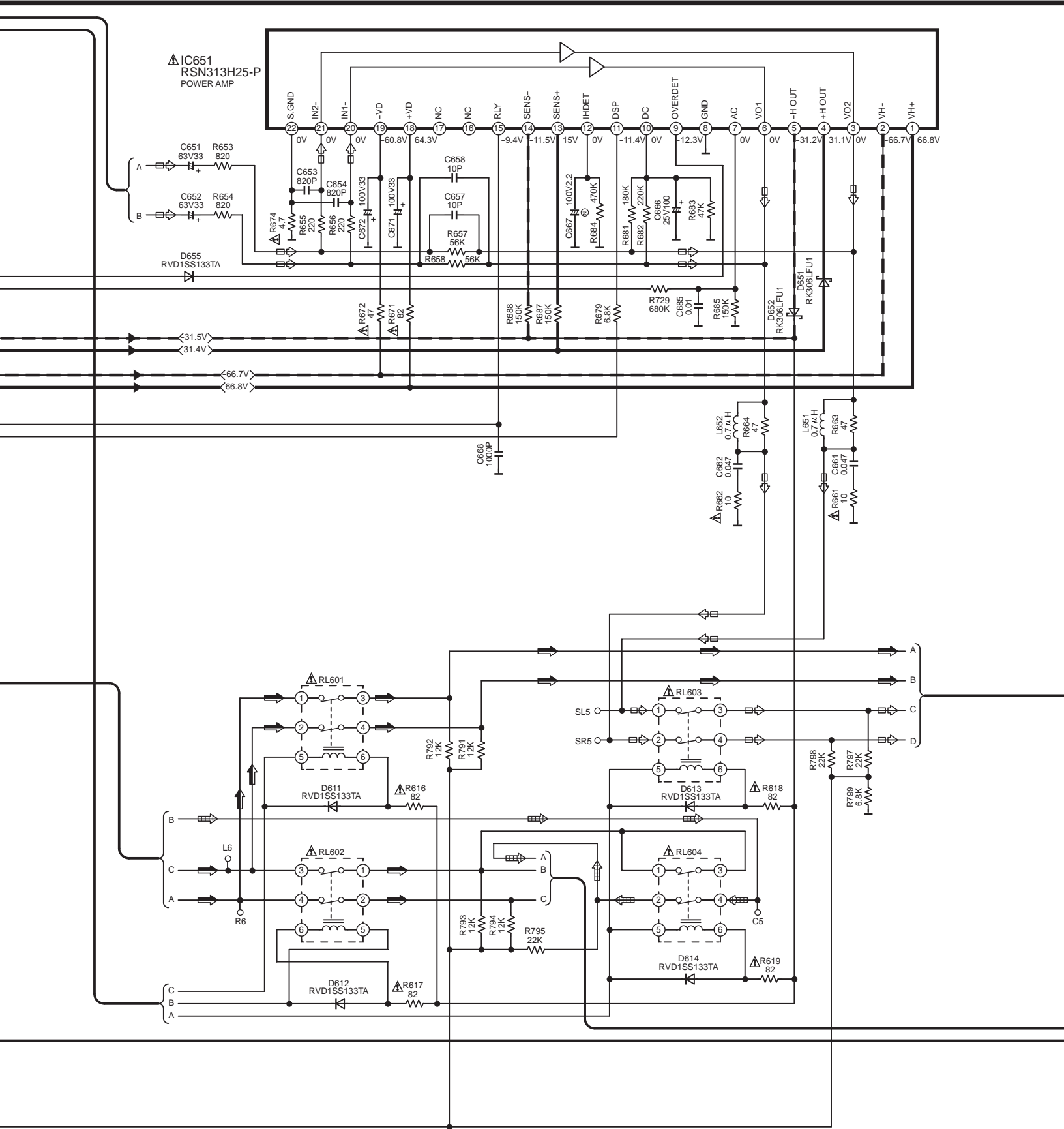
G MAIN CIRCUIT

- ▶— : POSITIVE VOLTAGE LINE ◀—▶ : FM/AM SIGNAL LINE
- - -▶- : NEGATIVE VOLTAGE LINE ◀—▶ : CENTER SP SIGNAL LINE



SCHEMATIC DIAGRAM-15

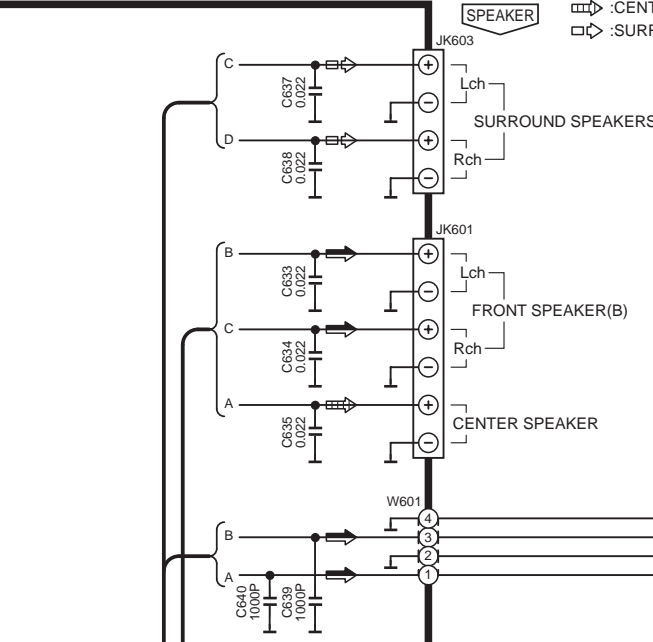
- : POSITIVE VOLTAGE LINE → : FM / AM SIGNAL LINE
- : NEGATIVE VOLTAGE LINE → : CENTER SP SIGNAL LINE → : SURROUND SP SIGNAL LINE



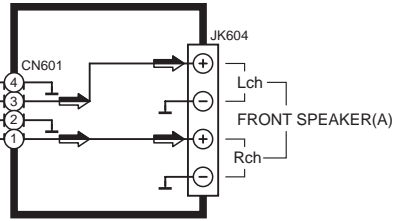
SCHEMATIC DIAGRAM-16

G MAIN CIRCUIT

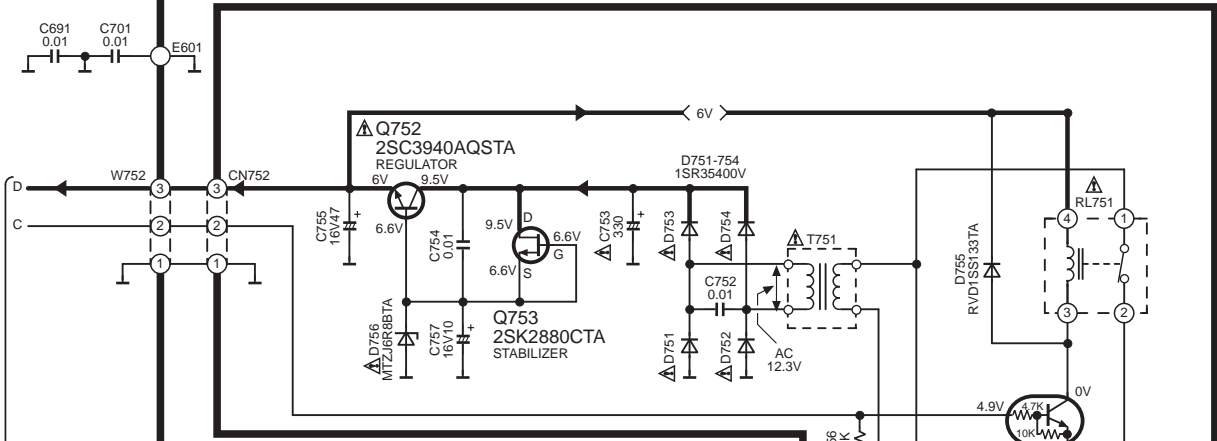
- : POSITIVE VOLTAGE LINE
- ⇒ : FM/ AM SIGNAL LINE
- ⇄ : CENTER SP SIGNAL LINE
- ⇄ : SURROUND SP SIGNAL LINE



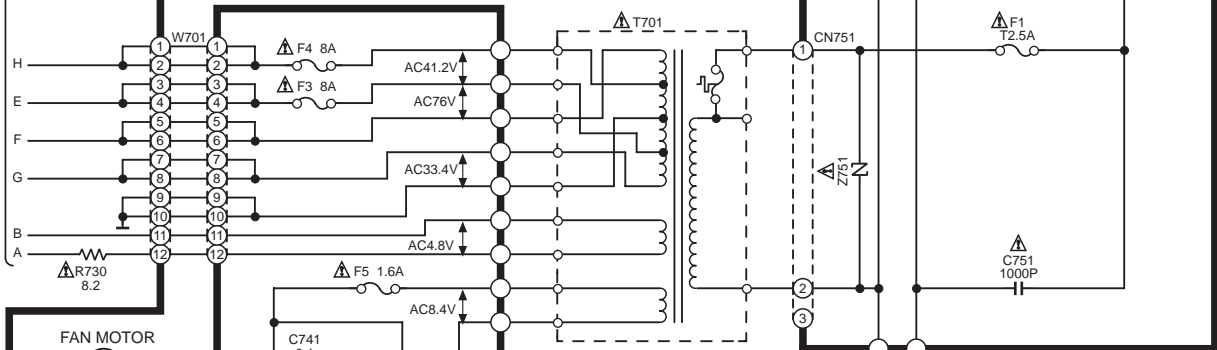
H SPEAKER TERMINAL CIRCUIT



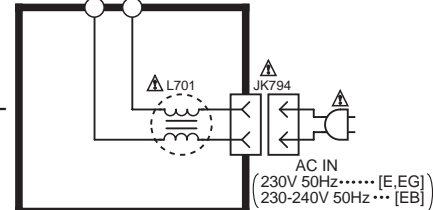
I POWER SUPPLY CIRCUIT



J POWER TRANSFORMER CIRCUIT



K AC IN/OUT CIRCUIT

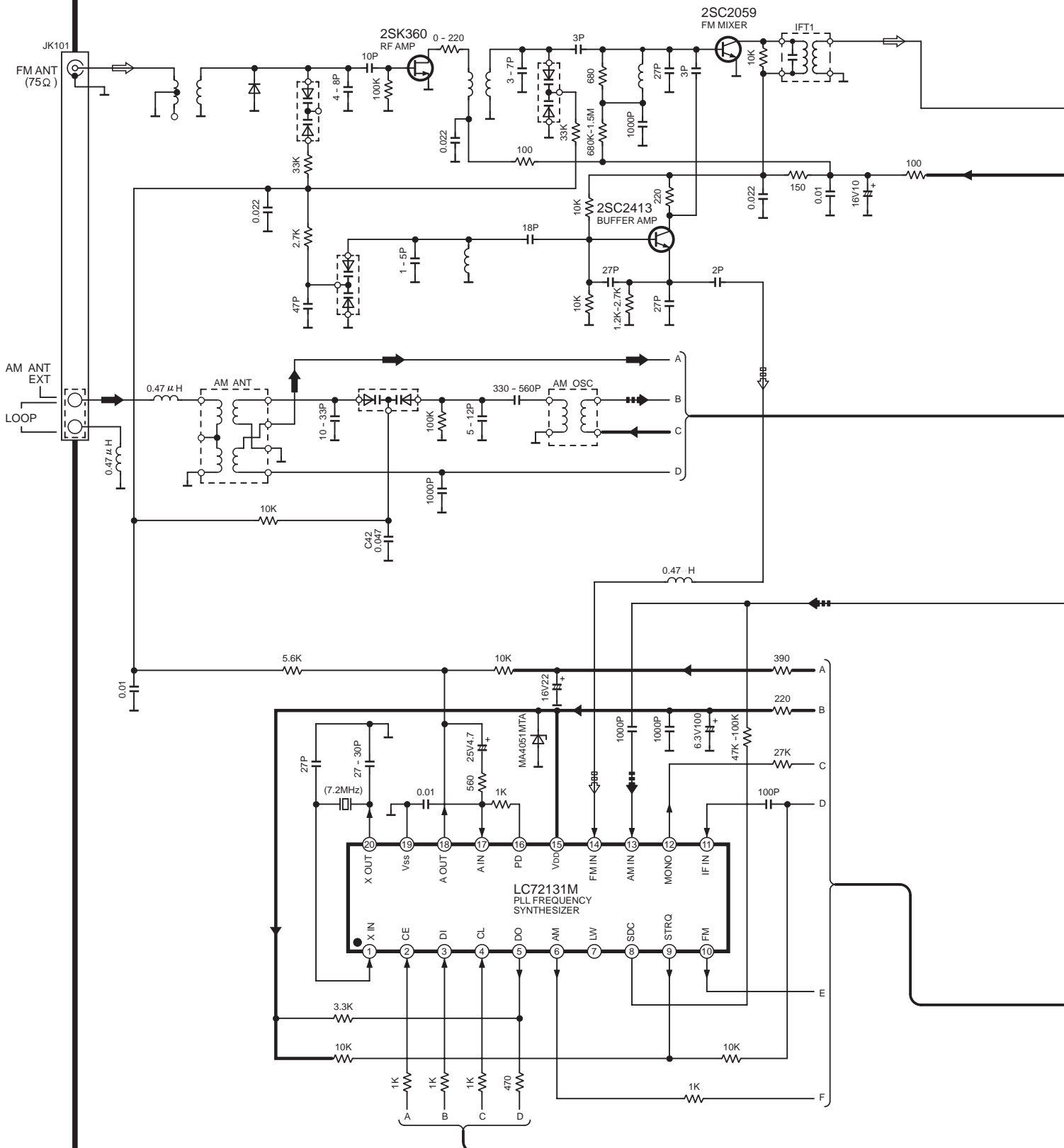


To **B** SURROUND CIRCUIT (CN702) on SCHEMATIC DIAGRAM-5

SCHEMATIC DIAGRAM-17

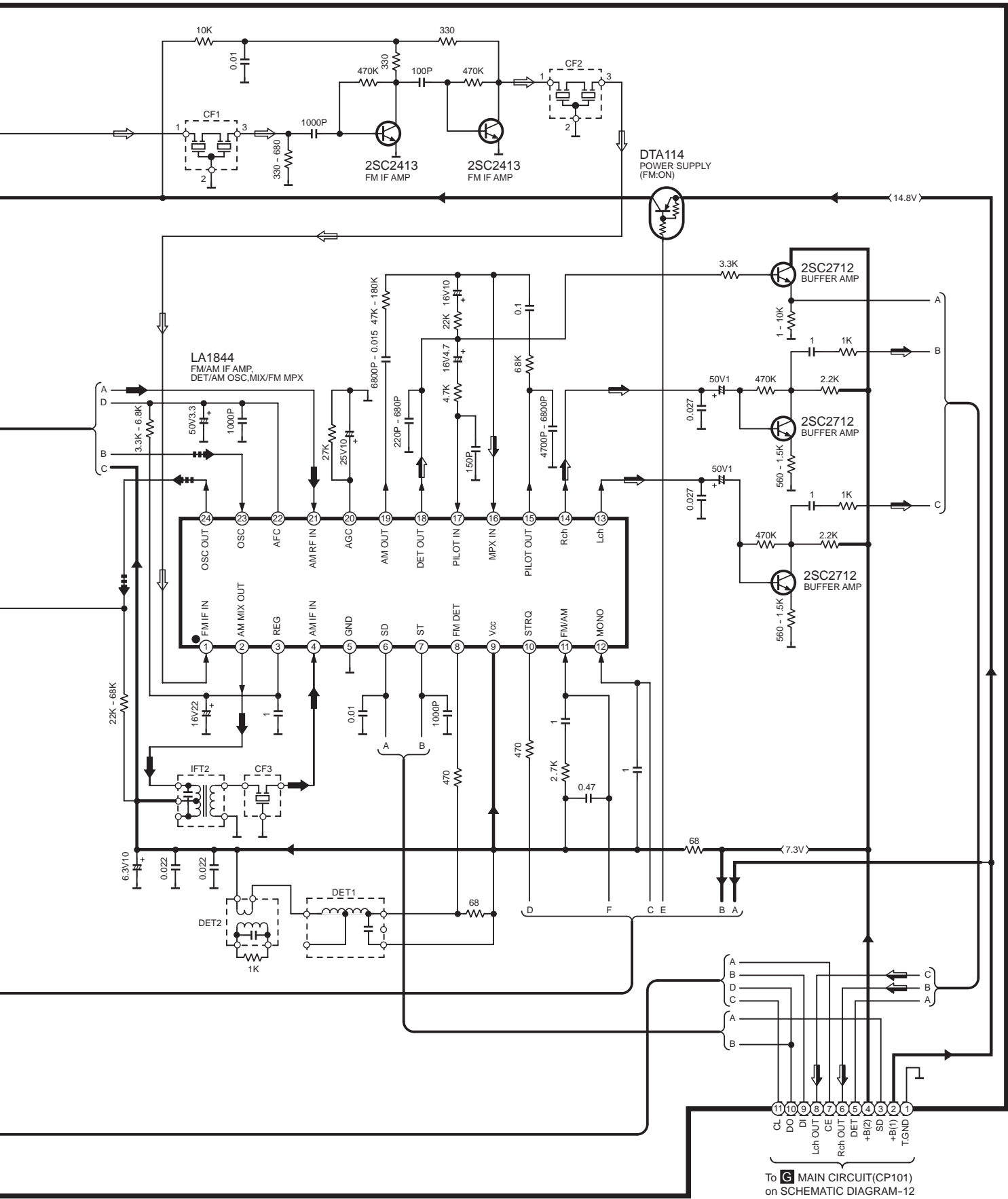
Z101 TUNER UNIT(RAN0002EM)

→ : POSITIVE VOLTAGE LINE
 ⇨ : FM SIGNAL LINE
 ⇨ : FM OSC SIGNAL LINE
 ⇨ : AM SIGNAL LINE
 ⇨ : AM OSC SIGNAL LINE



SCHEMATIC DIAGRAM-18

: POSITIVE VOLTAGE LINE
 : FM SIGNAL LINE
 : AM SIGNAL LINE
 : AM OSC SIGNAL LINE
 : FM/AM SIGNAL LINE



To **G** MAIN CIRCUIT (CP101) on SCHEMATIC DIAGRAM-12