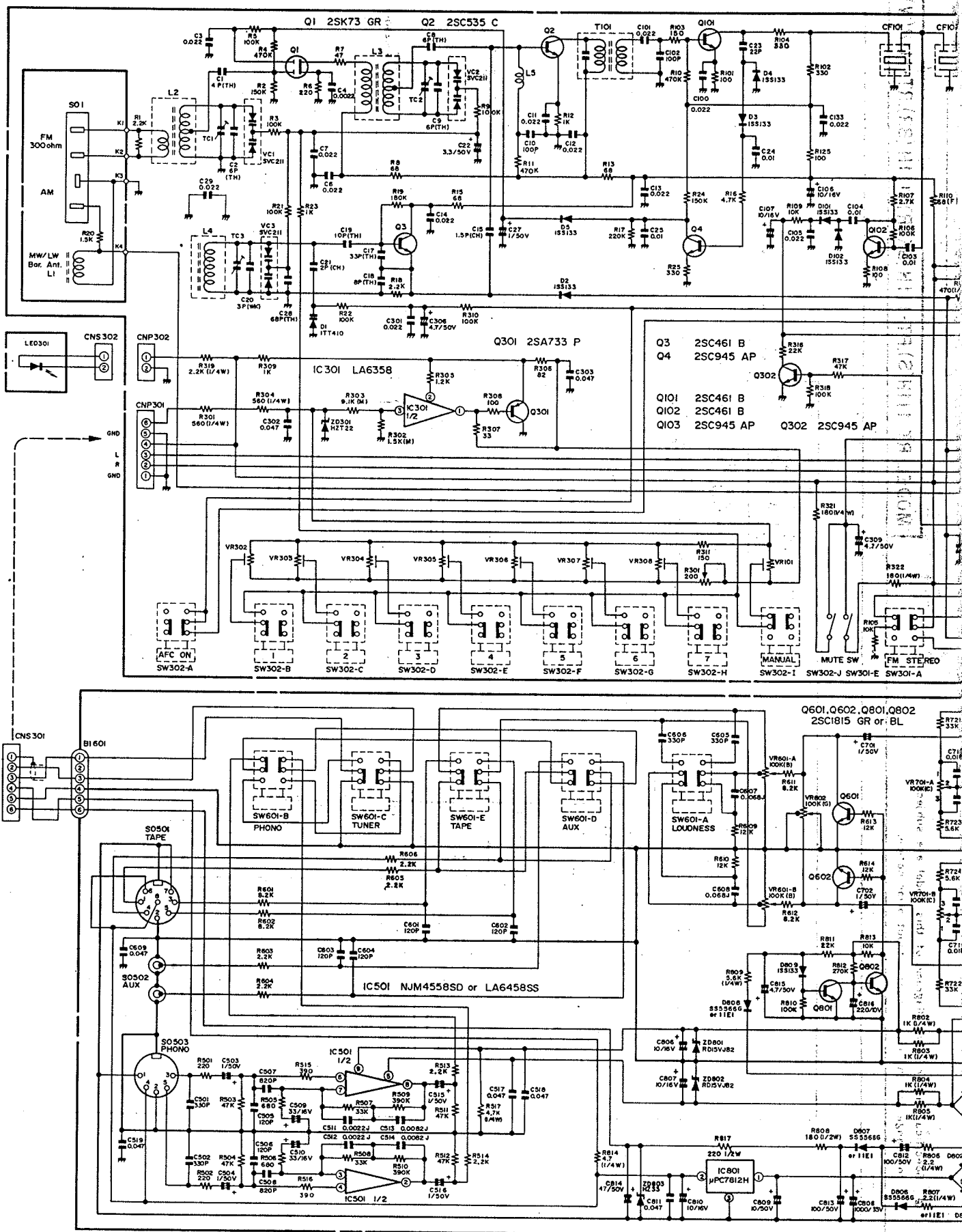


REF. NO.	DESCRIPTION	POSITION
SW301-A-E	BAND SELECTOR	FM STEREO-MONO-MW-LW
SW302-A	AFC ON	ON-OFF
SW302-B-J	PRESET	1-2-3-4-5-6-7-MANUAL
SW601-A	LOUDNESS	ON-OFF
SW601-B-F	INPUT SELECTOR	PHONO-TUNER-AUX-TAPE
SW901	POWER	ON-OFF

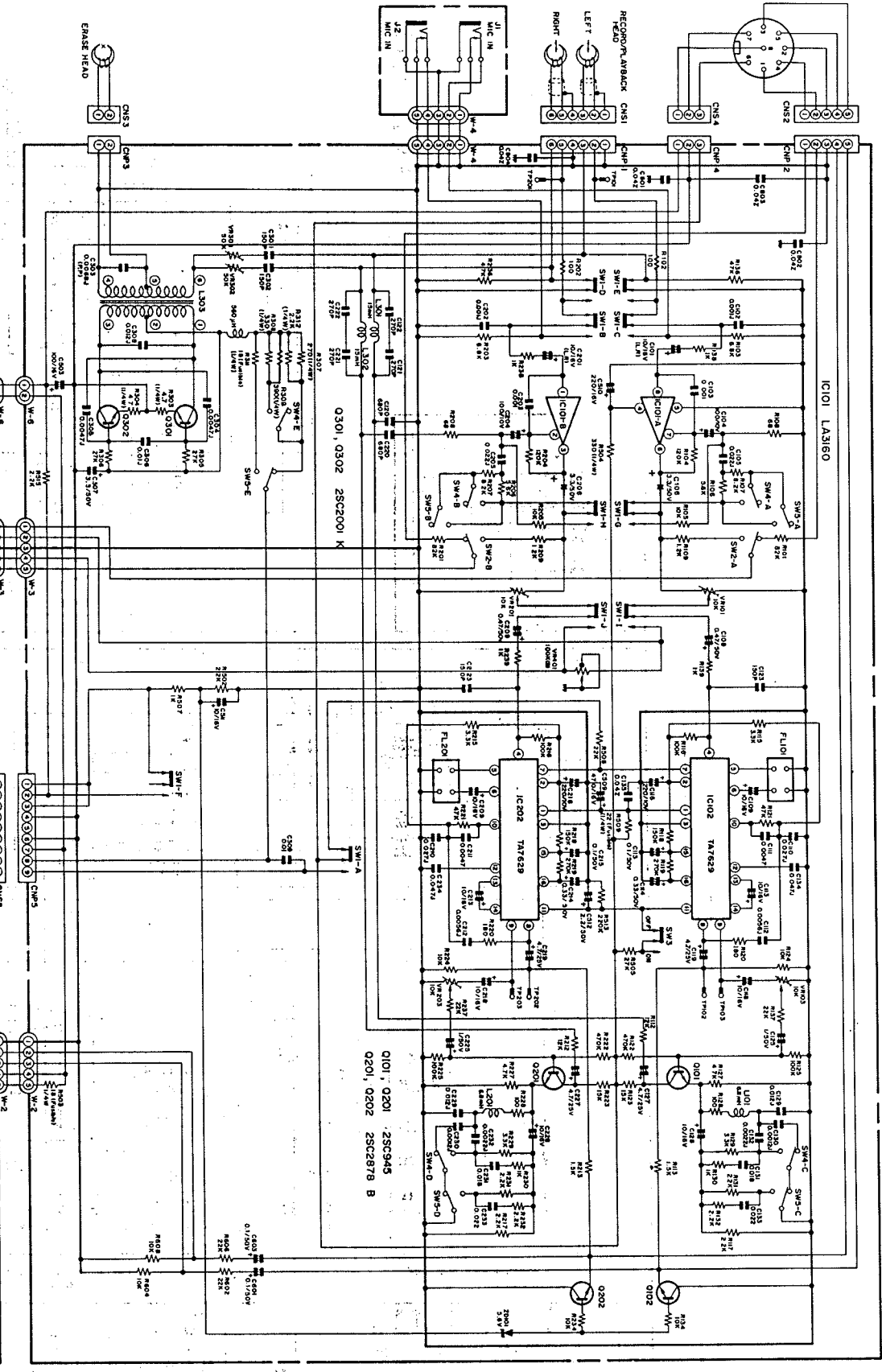
SARP

MODEL SA-111H(S), SA-111H(BK), SA-111H(B)

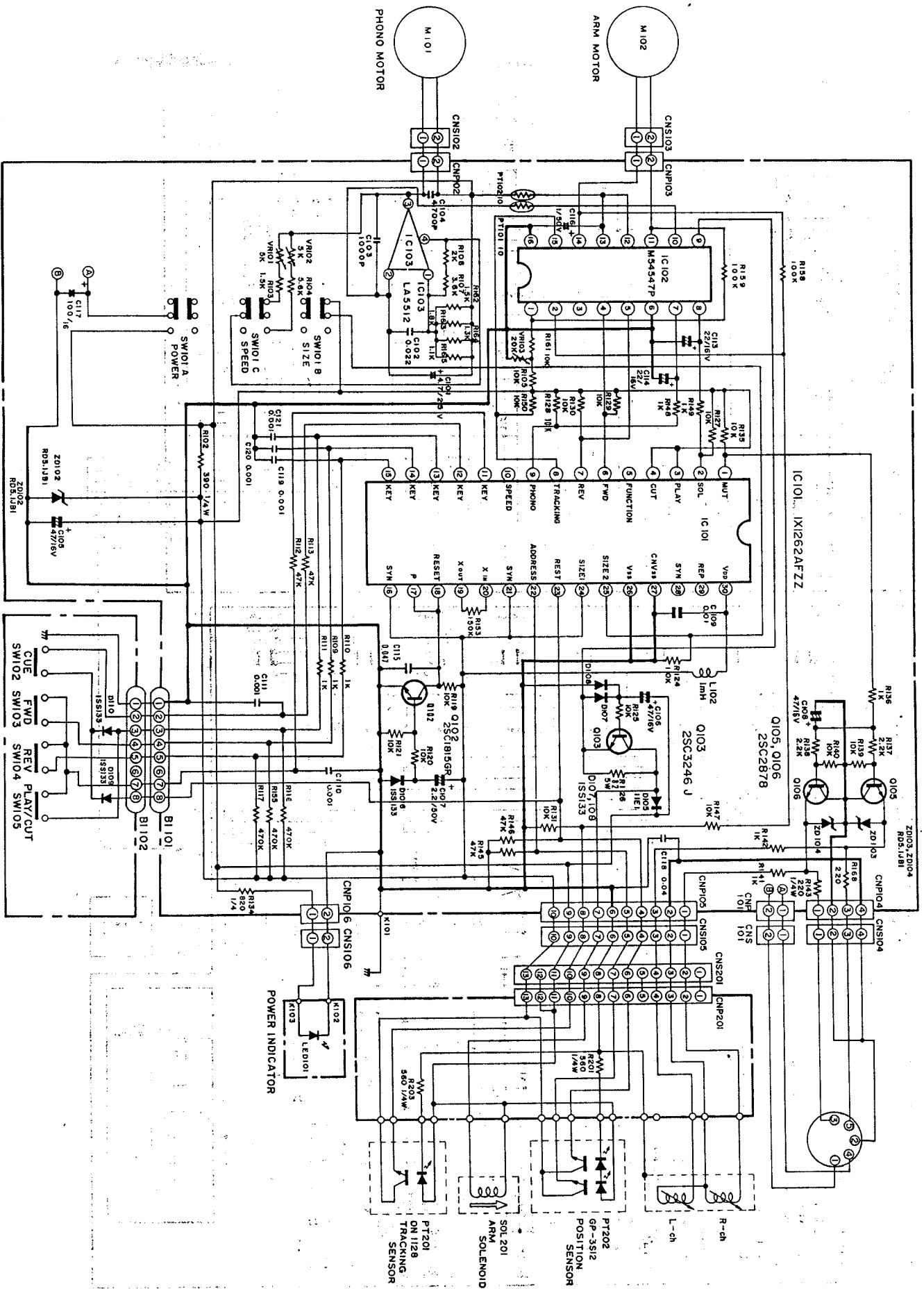


Specifications or wiring diagrams of this model are subject to change for the improvement without prior notice.

SW. NO.	FUNCTION	POSITION
SW 1 (A-J)	RECORD/PLAYBACK	PLAYBACK - RECORD
SW 2 (A-B)	INPUT SELECTOR	MIC - LINE
SW 3 (A-B)	DOUBT NR SWITCH	ON - OFF
SW 4 (A-E)	TAPE SELECTOR	NORMAL - COZ
SW 5 (A-E)	TAPE SELECTOR	METAL - OTHER
SW 6	POWER SWITCH	ON - OFF
SW 7	MUTING SWITCH	ON - OFF
SW 8	APPS SWITCH	ON - OFF
SW 9	BIASS SWITCH	ON - OFF



Specifications or wiring diagrams of this model are subject to change without notice.



Specifications or wiring diagrams of this model are subject to change for the improvement without prior notice.

MODEL RP-111H(S) RP-111H(BK) RP-111H(BR) RP-111H(W)