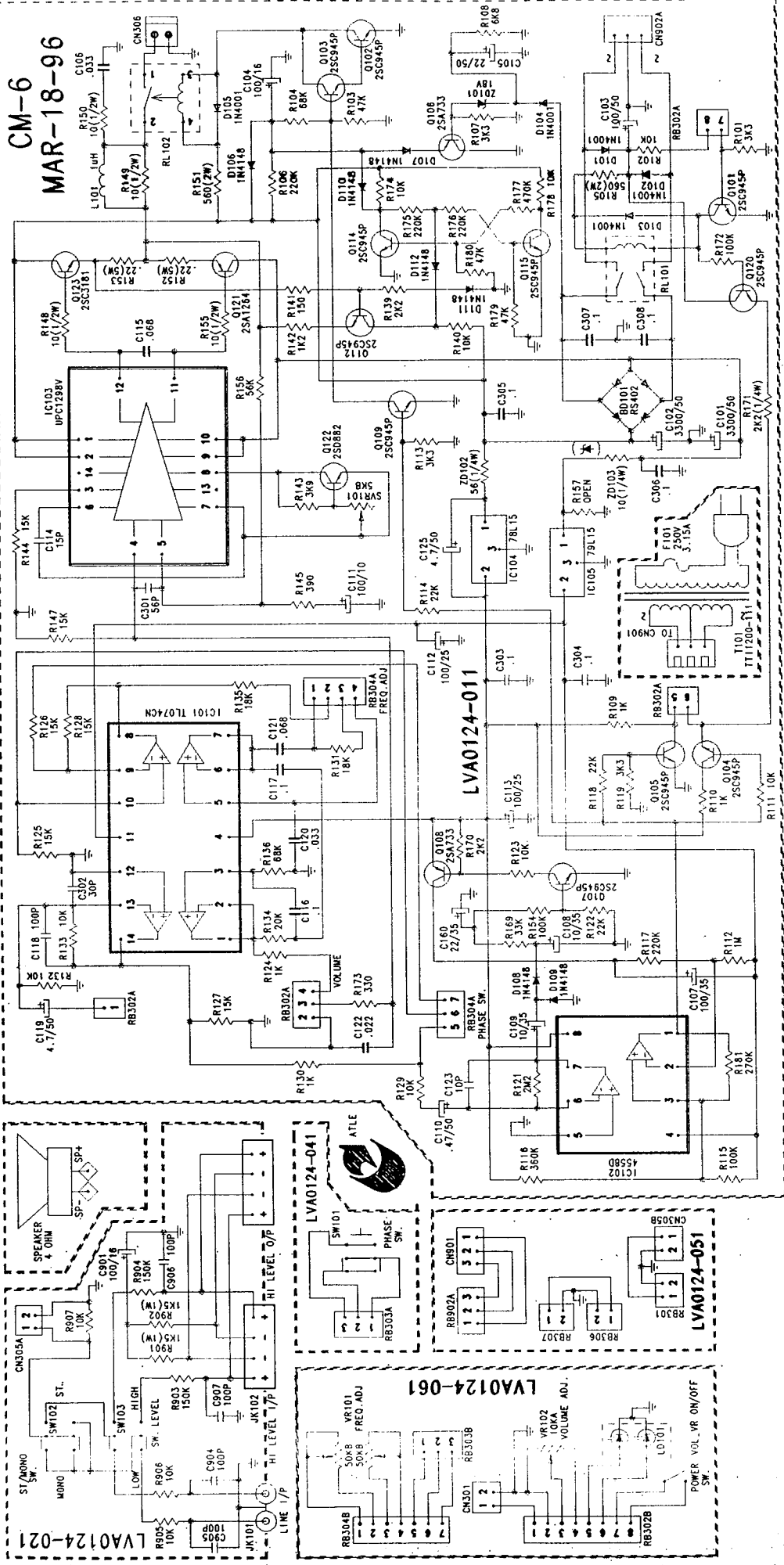


**CM-6**  
**MAR-18-96**



PART NAME: MODEL SCHEMATIC		MODEL: SUB-6/SUB-10
DESIGN BY: ATLE	DWG. DATE: MAY-06-1996	DATE PRINTED: MAY-06-1996
CHECK BY: CHAO	APP. DATE:	PART NUMBER:
APPROVED BY: H. L. LEE	DWG. SIZE: LETTER	REVISION: L

LOCATION	DESCRIPTION	LOCATION	DESCRIPTION
Q121	25C3182	ZD103	ZD103 15V
R127	25C3182	C101	500 OHM/1W
R157	25C3182	C102	470 OHM/1/2W
R134	10K OHM	R105	820 OHM/1/2W
R136	160K OHM	F101	TTK1200-003
			4A/250V

AC 100V	AC 120V	AC 230V
TT11000-001	TT11200-111	TT12300-108
TK1000-001	TK1200-003	TK2300-001

