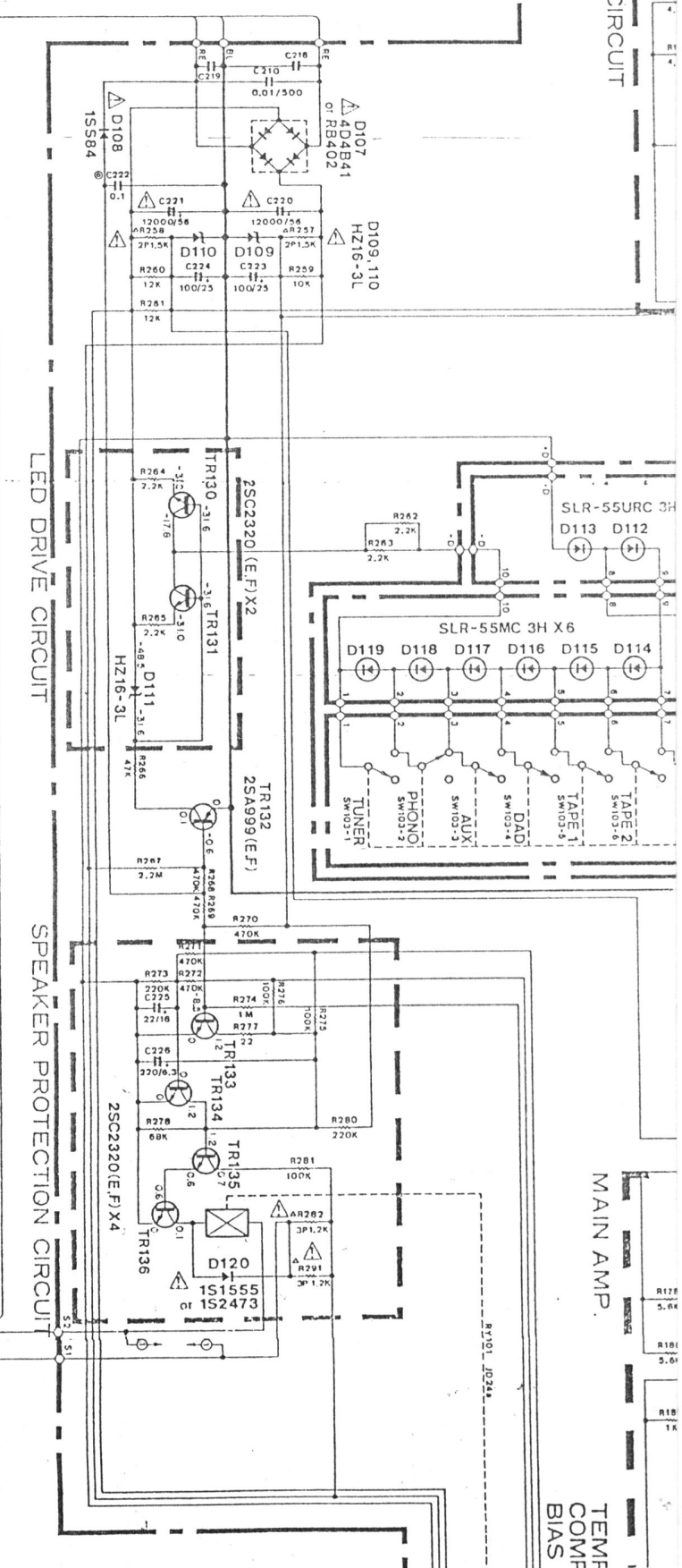


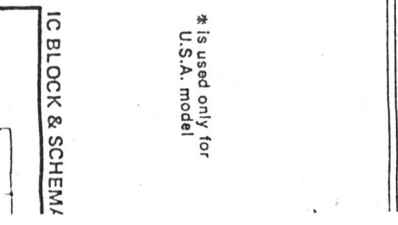
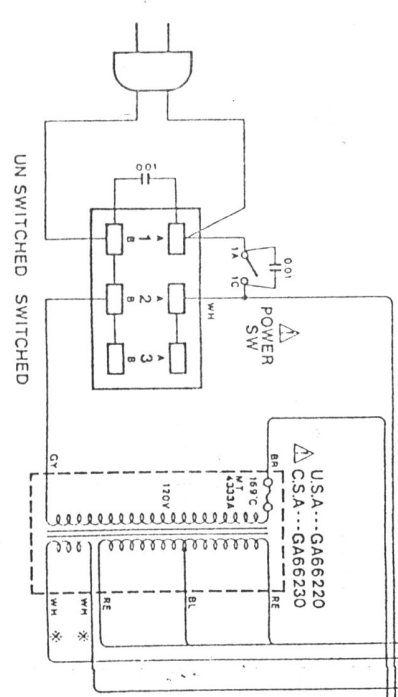
EQUALIZER CIRCUIT

MAIN AMP.
TEMP COMF BIAS



LED DRIVE CIRCUIT

SPEAKER PROTECTION CIRCUIT



* is used only for U.S.A. model

WARNING

⚠ Marked: Critical components by UL Standard 1270. Replace only with same type parts.

- All voltages are measured with a 10MΩ/DC electric volt meter.
- Schematic diagram is subject to change without notice.