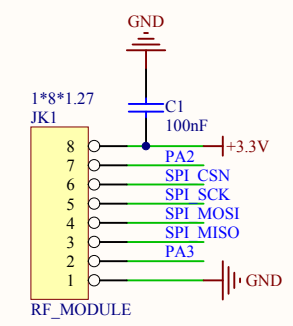
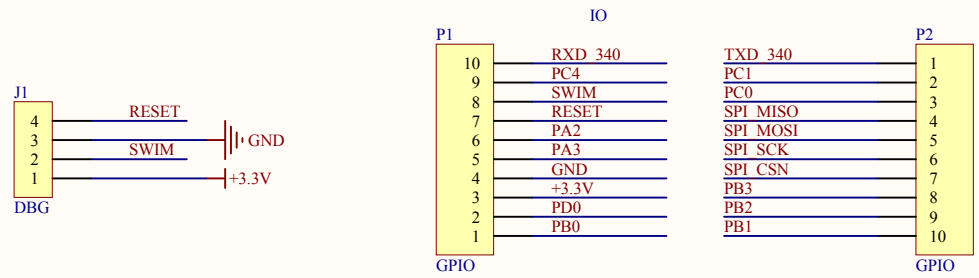
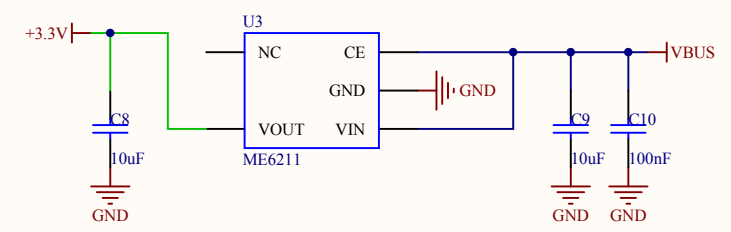
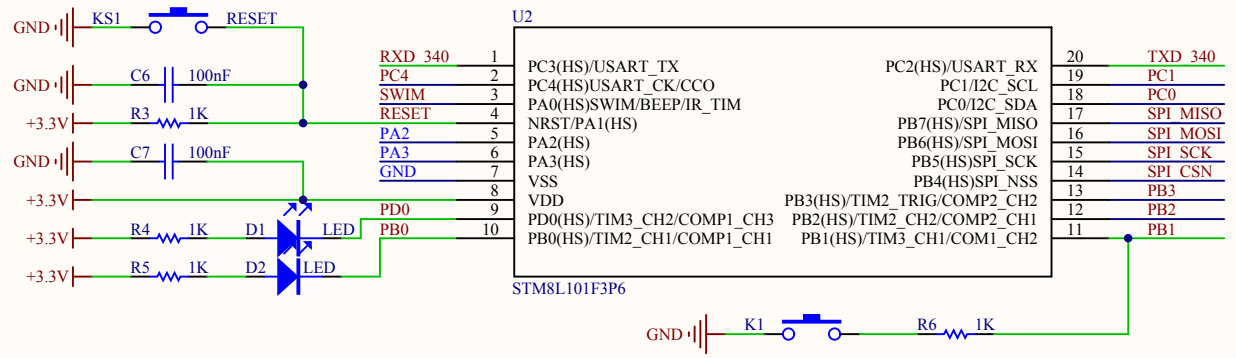


**NRF24L01P:**  
 PA2----->CE  
 PA3----->IRQ



**CC1101 & CC2500:**  
 PA2----->GDO0  
 PA3----->GDO2



<b>Chengdu Ebyte electronic technology co., LTD</b>			
<b>PART NAME:</b>		<b>MODEL NAME: E06-TB0107-SCH</b>	
<b>DRAWN BY:</b> LONG	<b>DATE:</b> 2015-06-16	UNLESS OTHERWISE SPECIFIED ALL DIMENSION ARE IN MILLIMETRE TOLERANCE ARE: DECIMAL: X %P 0.1 XX %P 0.05 ANGULAR: %P 25%D	<b>MODEL NO:</b>
<b>CHECKED BY:</b>	<b>DATE:</b>		<b>MATERIAL:</b>
<b>APPROVED BY:</b>	<b>DATE:</b>	SCALE	<b>DRAWING NO:</b>
			<b>V1.0</b>