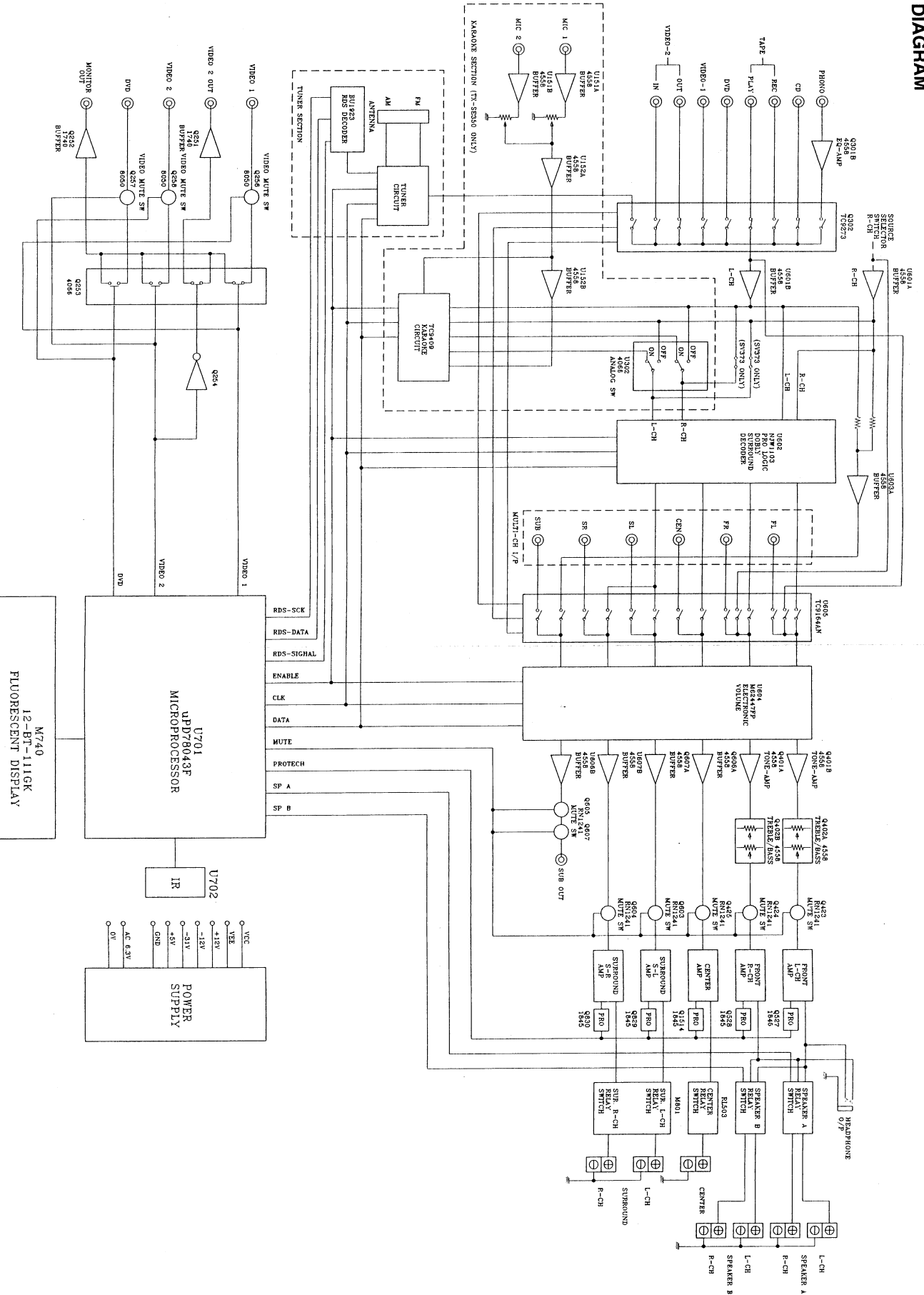


BLOCK DIAGRAM

TX-SV373



SCHEMATIC DIAGRAM

A

B

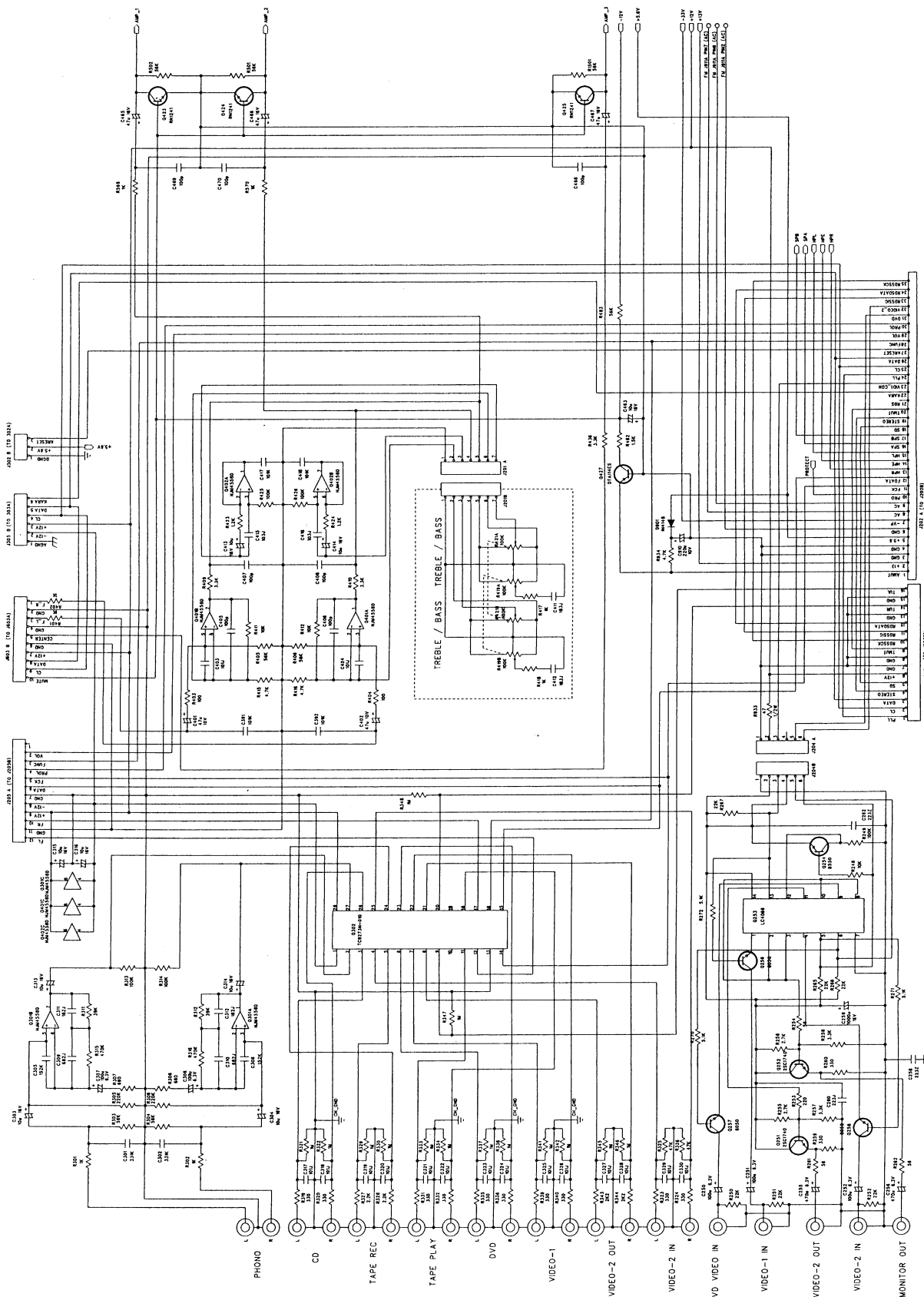
C

D

E

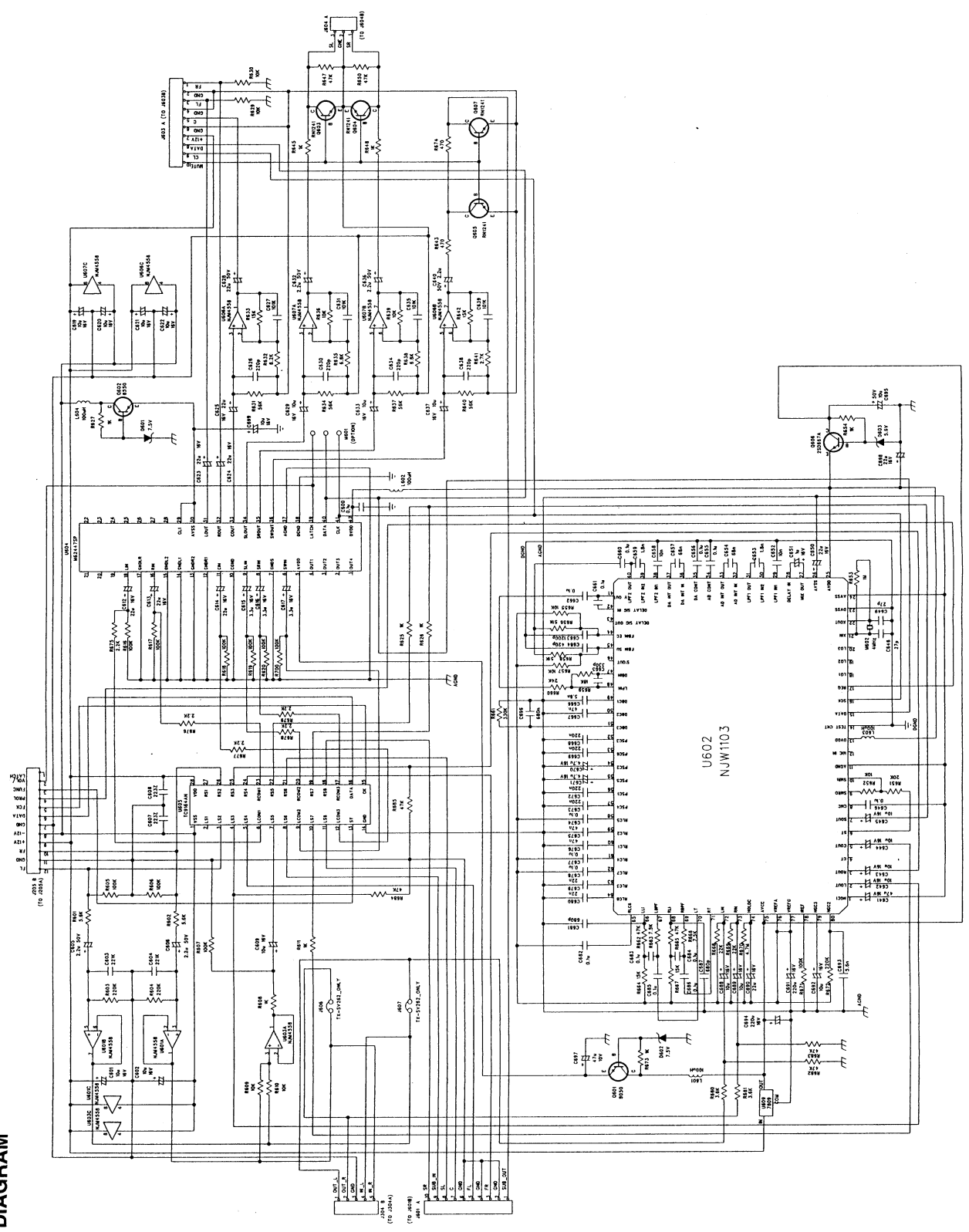
F

G



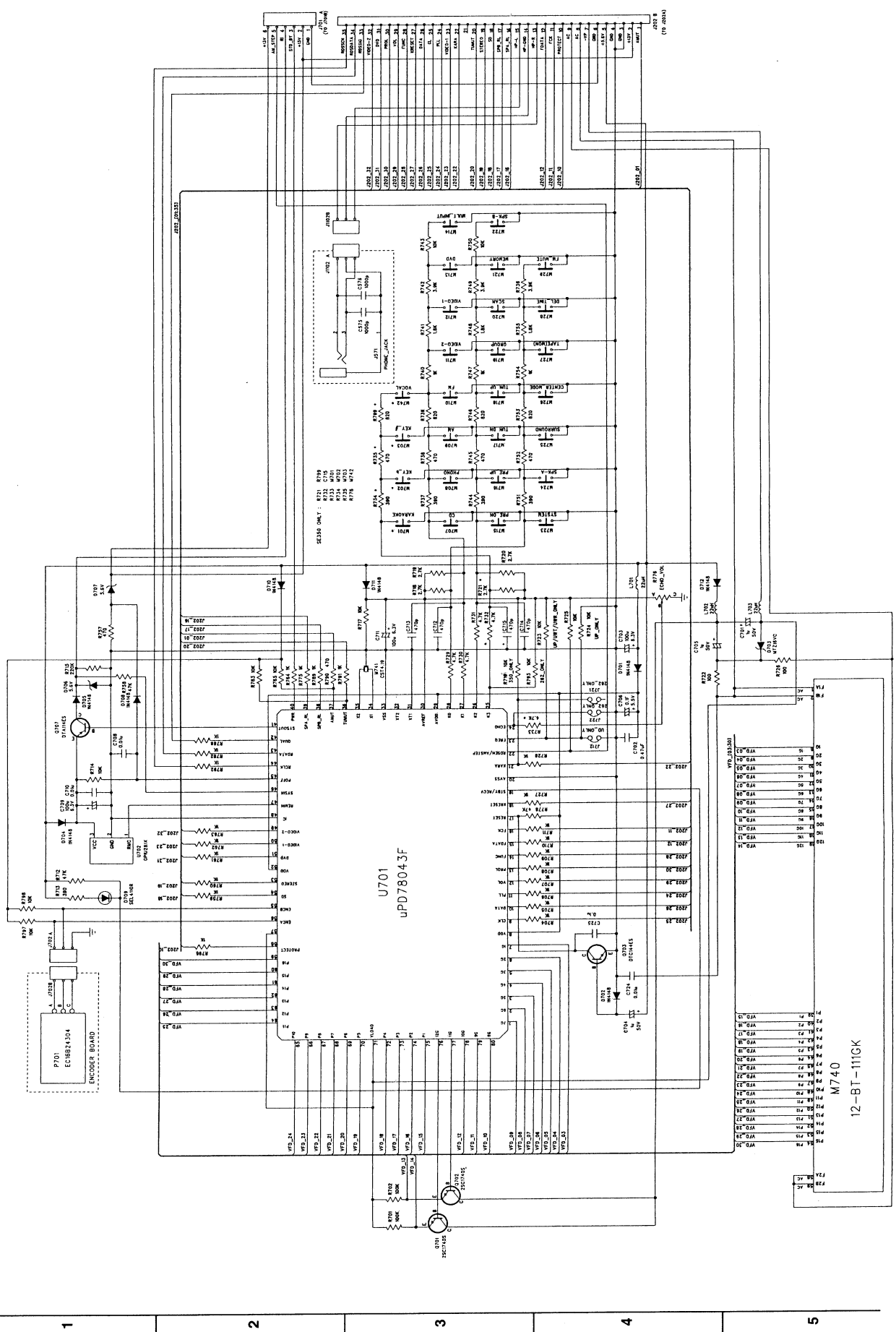
A B C D E F G

SCHEMATIC DIAGRAM



A B C D E F G

SCHEMATIC DIAGRAM



1

2

3

4

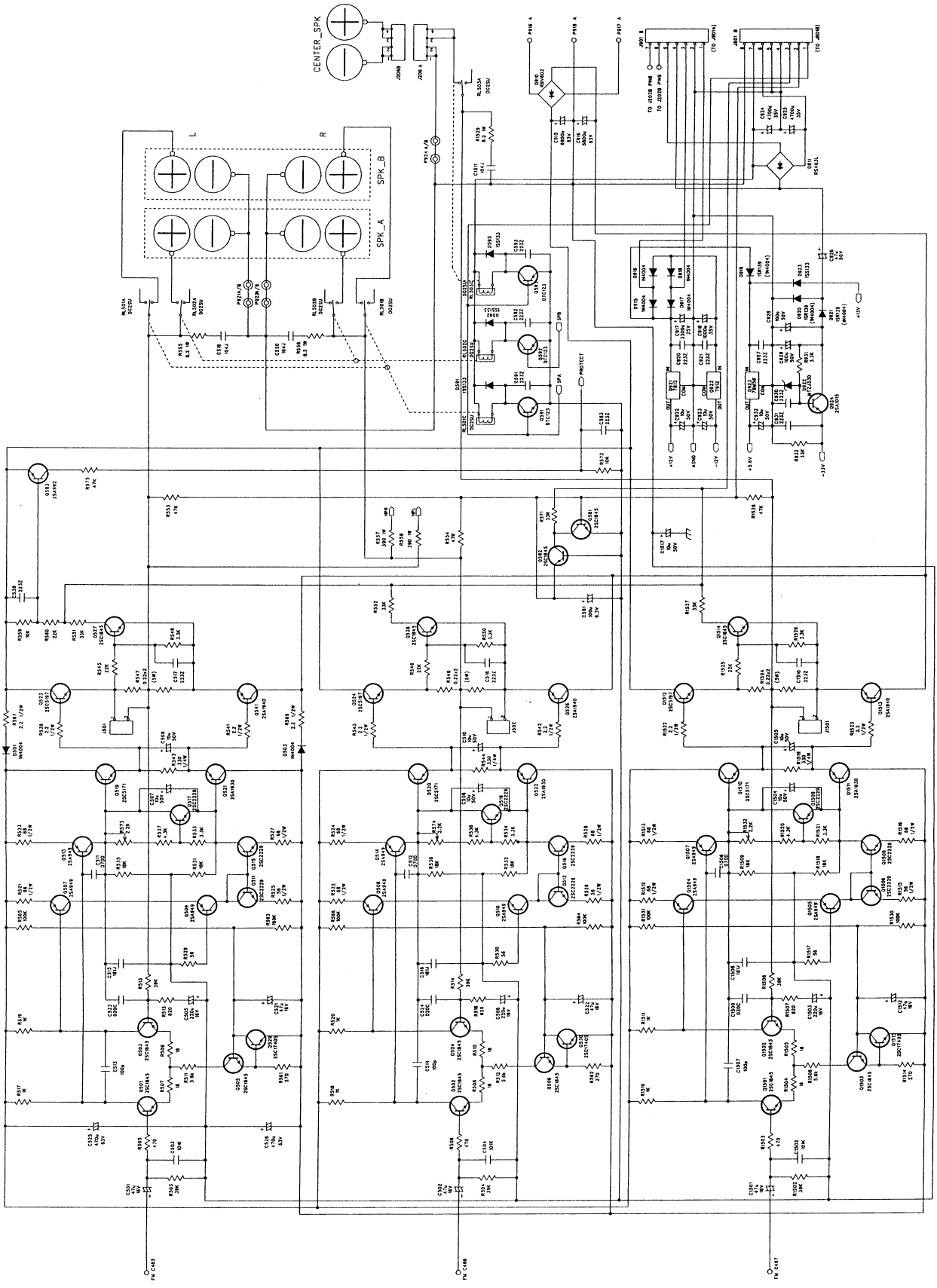
5

M740

12-BT-111CK

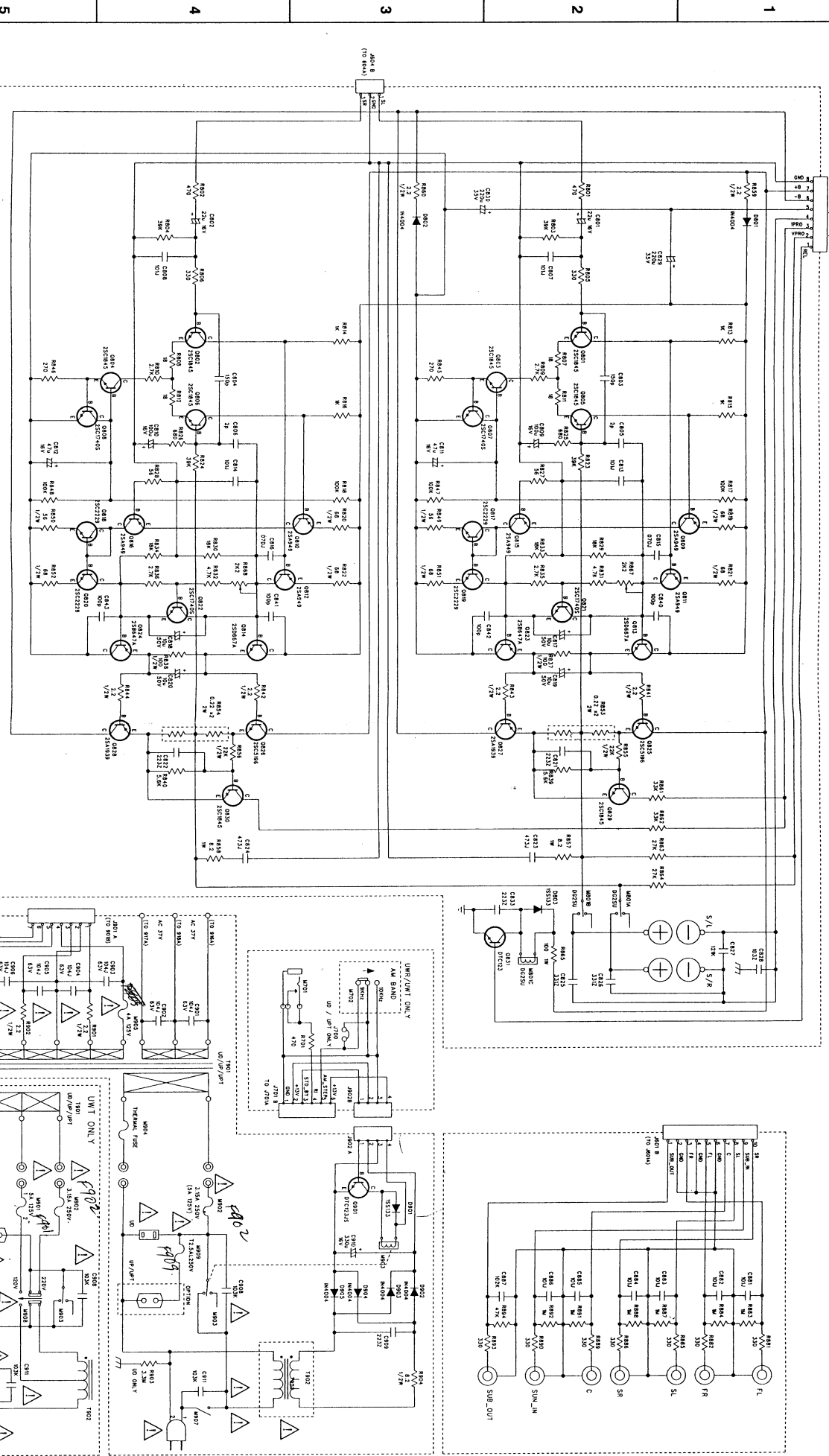
A B C D E F G

SCHEMATIC DIAGRAM



SCHEMATIC DIAGRAM

A B C D E F G



NOTE : COMPONENTS MARKED WITH "▲" ARE SAFETY CRITICAL PARTS.